

SOPS60GL

24" MULTI-FUNCTION OVEN

Porter & Charles

# SOPS60GL

## 24" MULTI-FUNCTION OVEN



### OVEN PROGRAMS

- Defrost
- Convection
- True Conventional Cooking
- Fan Assist
- Pizza Mode
- Half Grill
- Full Grill
- Fan Assist Grill

### OVEN FEATURES

- 24" (60cm) built-in stainless steel and black glass oven
- 63 litre / 2.22 cu. Ft. capacity oven
- 8 cooking functions
- Retractable control knobs
- Down fold door
- Excellent heat stability and insulation
- Fully automatic clock / timer
- Black enamel interior
- 5 rack positions
- Double glazed oven door

### OVEN CLEANING FEATURES

- Heat activated catalytic liners for easy cleaning
- Removable door and glass panes for easy cleaning

### OVEN ACCESSORIES

- Grill/roasting pan
- Reversible grill insert
- 2 chrome oven racks

# Specifications

## SOPS60GL

### OVEN DIMENSIONS

- D: 22<sup>1/2</sup>" x W: 23<sup>7/16</sup>" x H: 23<sup>7/16</sup>"
- D: 571 mm x W: 595 mm x H: 595 mm

### CUT-OUT DIMENSIONS

- D: min. 22<sup>1/16</sup>" x W: min.22<sup>1/16</sup>" x H: 22<sup>7/8</sup>"
- D: min 560mm x W: min.560mm x H: 581mm

### ELECTRICAL REQUIREMENTS

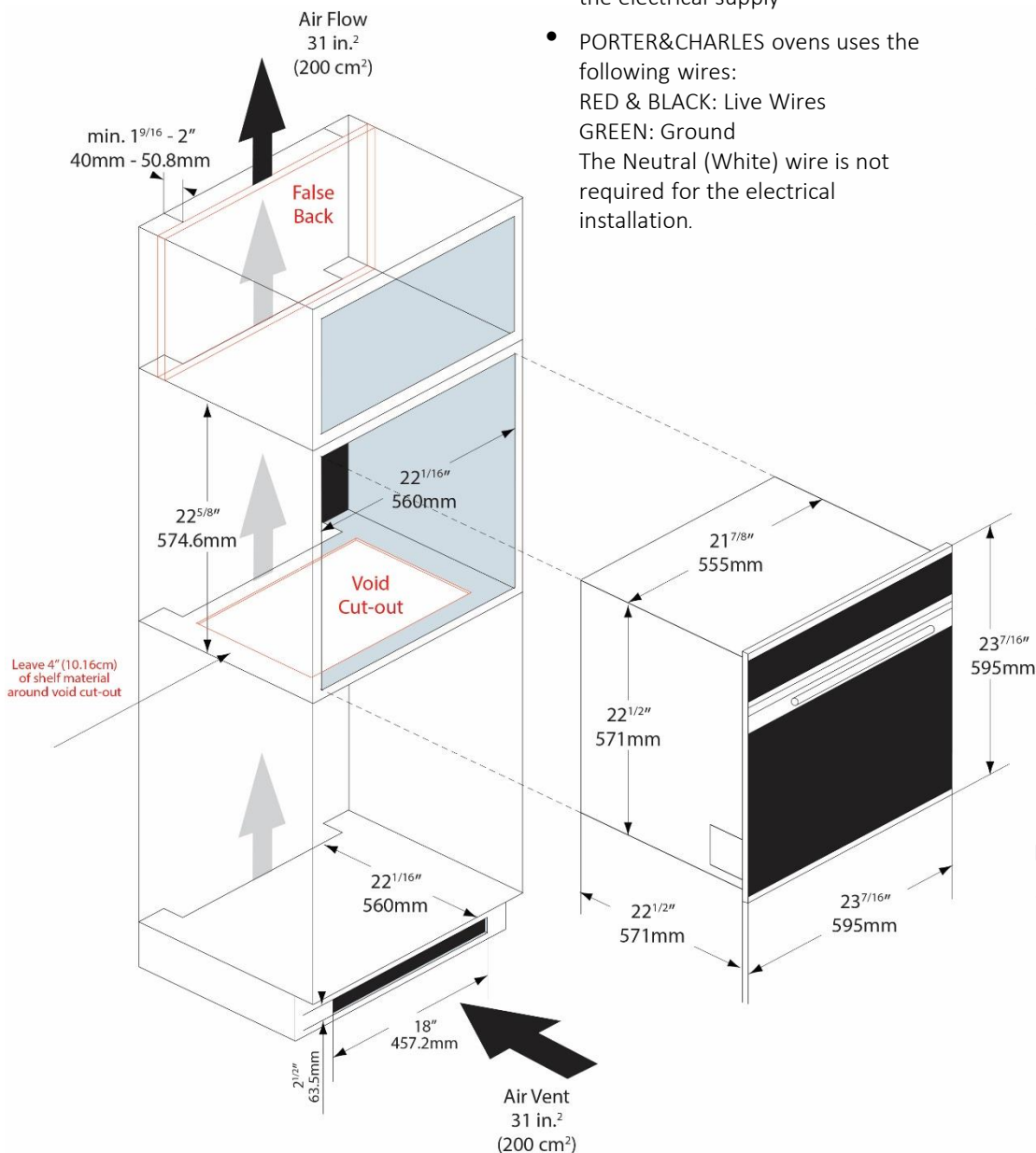
- 208 / 230 Volt, 60Hz, 2780 Watt, 20 AMP

#### **\*IMPORTANT\***

- PORTER&CHARLES ovens are supplied with a 4' long electrical cable and must be hard wired to the electrical supply
- PORTER&CHARLES ovens uses the following wires:  
RED & BLACK: Live Wires  
GREEN: Ground  
The Neutral (White) wire is not required for the electrical installation.

### VOID CUT-OUT

- If the oven is mounted in a tall or demi-tall cabinet, there must be a minimum gap of 1<sup>9/16</sup>" (4cm) cut out of the shelf and behind the upper cabinet to allow air to flow freely
- A void must be cut-out in the shelf of the cabinet. Leave 4" of shelf material around the void.
- Additional support must be added to the shelf with the void. The support must be able to withstand the oven weight.
- If sufficient air flow is not provided, the life of the appliance will be shortened.
- Cut-out in the toe kick is optional and recommended.
- Optional bottom vent grill (7427640) available.



### FALSE BACKS

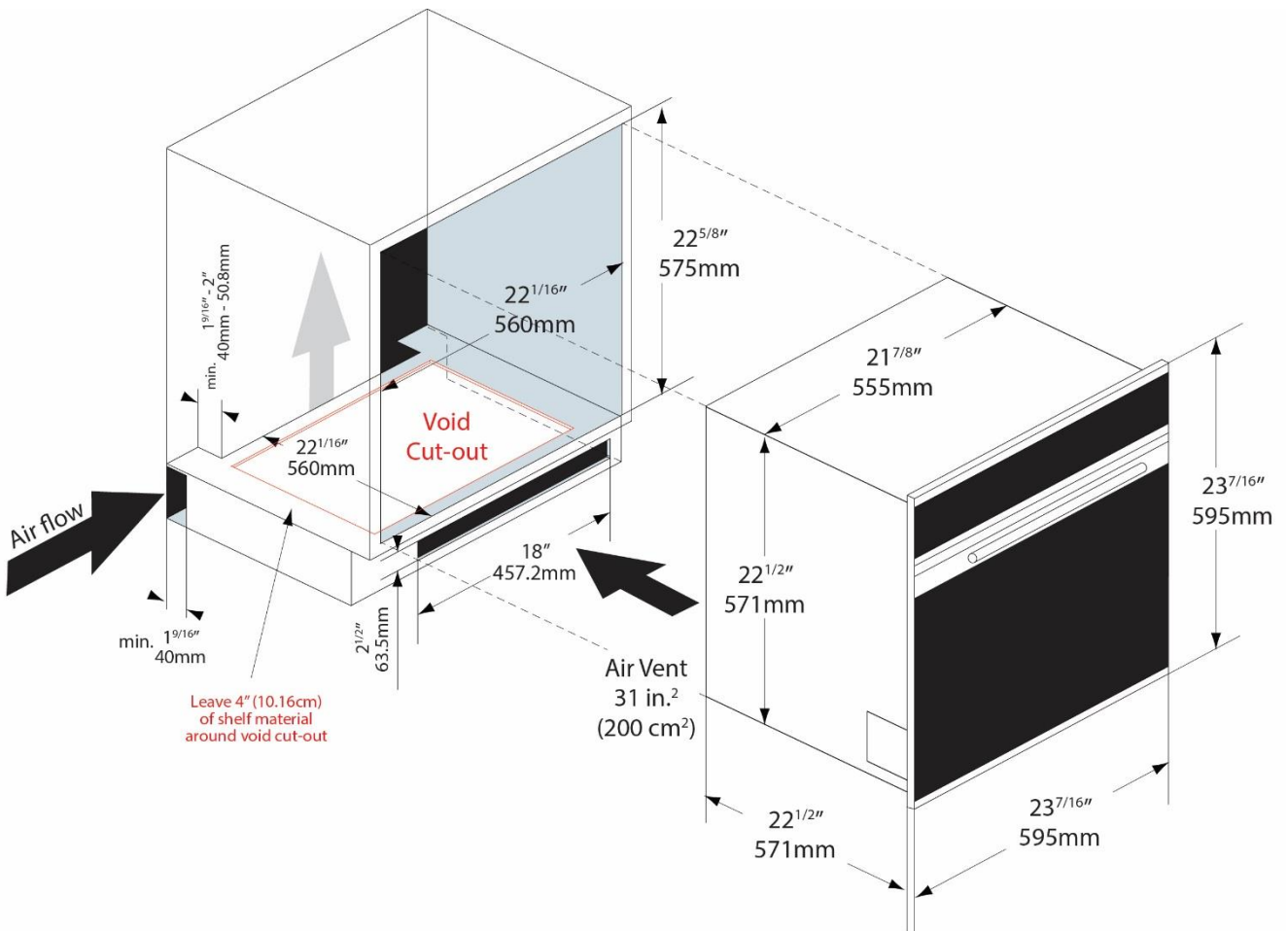
- Install false backs for storage spaces. This will prevent contents from falling through the vent space. In addition, warm air will not interfere with your stored contents

# Specifications

## SOPS60GL

### AIR FLOW REQUIREMENTS

- If the oven is being placed under the counter, there must be a minimum gap of  $1\frac{9}{16}$ " (4cm) cut out of the shelf behind the oven to allow air to flow freely.
- If sufficient air flow is not provided, the life of the appliance will be shortened.
- Cut-out in the toe kick is optional and recommended.
- Bottom vent grill (7427640) available.



Porter & Charles appliances are designed and manufactured to the highest standards.  
Each appliance is covered by a comprehensive 2 year parts and labour warranty.

[www.porterandcharles.com](http://www.porterandcharles.com)

*Refer to product warranty policy for complete terms and conditions.*

## **FOR PARTS & SERVICE**

**Euro-Parts & Service**  
39822 Belgrave Road  
Belgrave, ON N0G 1E0  
1-800-678-8352 (CANADA)  
1-800-561-4614 (USA)  
[www.euro-parts.ca](http://www.euro-parts.ca)  
[parts@euro-parts.ca](mailto:parts@euro-parts.ca)  
[service@euro-parts.ca](mailto:service@euro-parts.ca)

Porter & Charles appliances are imported & distributed in North America by Euro-Line Appliances Inc.

For more information please visit one of our showrooms or

[www.euro-line-appliances.com](http://www.euro-line-appliances.com) / [www.elawest.com](http://www.elawest.com)

---

### ***EURO-LINE APPLIANCES INC.***

871 Cranberry Court  
Oakville, ON L6L 6J7  
905-829-3980  
1-800-421-6332  
[marketing@euro-line-appliances.com](mailto:marketing@euro-line-appliances.com)

### ***EURO-LINE APPLIANCES WEST INC.***

2912 West 4<sup>th</sup> Avenue  
Vancouver, BC V6K 1R2  
604-235-3980  
1-855-ELA-WEST  
[info@elawest.com](mailto:info@elawest.com)