



Porter & Charles

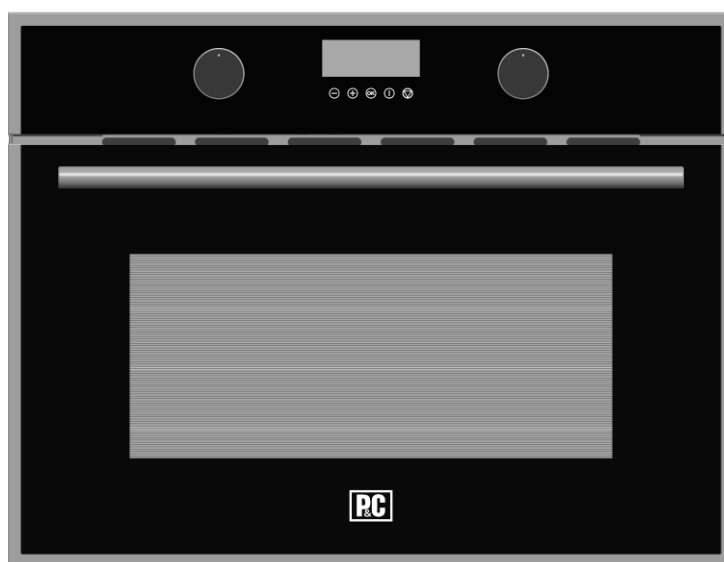
EN

Instructions for Use

FR

Manuel d'instructions

MWPS60TM-1



Contents

Grounding Instructions	3
Important safety instructions	4
Precautions to avoid possible exposure to excessive Microwave energy	6
Precautions to be observed before and during servicing to avoid possible exposure to excessive Microwave energy.....	7
The advantages of microwaves.....	10
Description of microwave oven.....	11
Basic settings	13
Basic functions	15
When the oven is working.....	17
Defrosting.....	18
Cooking with a microwave oven	20
Cooking with the grill	22
What kind of ovenware can be used?	25
Oven Cleaning and Maintenance.....	27
What should I do if the oven doesn't work?	29
Technical characteristics	30
Installation instructions	31
Installation.....	65

GROUNDING INSTRUCTIONS

This appliance must be grounded. In the event of an electrical short circuit, grounding reduces the risk of electric shock by providing an escape wire for the electric current.

Warning! IMPROPER USE OF THE GROUNDING CAN RESULT IN A RISK OF ELECTRICAL SHOCK.

Consult a qualified technician if the grounding instructions are not completely understood, or if doubt exists as to whether the appliance is properly grounded, and do not use an extension cord. If the power supply cord is too short, have a qualified electrician or serviceman install an outlet near the appliance.

IMPORTANT SAFETY INSTRUCTIONS

When using electrical appliances basic safety precautions should be followed, including the following:

Warning! To reduce the risk of burns, electric shock, fire, injury to persons, or exposure to excessive microwave energy:

- Read all instructions before using the appliance.
- Read and follow the specific **“PRECAUTIONS TO AVOID POSSIBLE EXPOSURE TO EXCESSIVE MICROWAVE ENERGY”** found in this manual.
- This appliance must be grounded. Connect only to properly grounded outlet. See **“GROUNDING INSTRUCTIONS”** found in this manual.
- Install or locate this appliance only in accordance with the provided installation instructions.
- Some products such as whole eggs and sealed containers – for example, closed glass jars are able to explode and should not be heated in this oven.
- Use this appliance only for its intended use as described in the manual. Do not use corrosive chemicals or vapors in this appliance. This type of oven is specifically designed to heat, cook, or dry food. It is not designed for industrial or laboratory use.
- As with any appliance, close supervision is necessary when used by children.
- Do not operate this appliance if it has a damaged cable, if it is not working properly, or if it has been damaged or dropped.
- This appliance should be serviced only by qualified service personnel. Contact nearest authorized service facility for examination, repair, or adjustment.
- Do not cover or block any openings on the appliances.
- Do not store this appliance outdoors. Do not use this product near water – for example, near a kitchen sink, in a wet basement, near a swimming pool, or similar locations.
- Do not immerse the cable in water.
- Keep the cable away from heated surfaces.
- Do not let the cable hang over edge of table or counter.
- When cleaning surfaces of door and oven that comes in contact when closing the door, use only mild, nonabrasive soaps, or detergents applied with a sponge or soft cloth.

IMPORTANT SAFETY INSTRUCTIONS

To reduce the risk of fire in the oven cavity:

- Do not overcook food. Carefully attend appliance when paper, plastic, or other combustible materials are placed inside the oven to facilitate cooking.
- Remove wire twist-ties from paper or plastic bags before placing bag in oven.
- If materials inside the oven ignite, keep oven door closed, turn oven off, and disconnect the power by shutting off at the fuse or circuit breaker panel.
- Do not use the cavity for storage purposes. Do not leave paper products, cooking utensils, or food in the cavity when not in use.
- Liquids such as water, coffee, or tea are able to be overheated beyond the boiling point without appearing to be boiling. Visible bubbling or boiling when the container is removed from the microwave oven is not always present. THIS COULD RESULT IN VERY HOT LIQUIDS SUDDENLY BOILING OVER WHEN THE CONTAINER IS DISTURBED OR A UTENSIL IS PLACED INTO THE LIQUID.



To avoid that type of situation when heating liquids, put a teaspoon or glass rod inside the container.

PRECAUTIONS TO AVOID POSSIBLE EXPOSURE TO EXCESSIVE MICROWAVE ENERGY

- (a) Do not attempt to operate this oven with the door open since open-door operation can result in harmful exposure to microwave energy. It is important not to interfere or tamper with the safety interlocks.
- (b) Do not place any object between the oven front face and the door or allow soil or cleaner residue to accumulate on sealing surfaces.
- (c) Do not operate the oven if it is damaged. It is particularly important that the oven door closes properly and that there is no damage to the: (1) door (bent), (2) hinges and latches (broken or loosened), (3) door seals and sealing surfaces.
- (d) The oven should not be adjusted or repaired by anyone except properly qualified service personnel.

Pacemakers:

Most pacemakers are shielded from interference from electronic products, including microwaves. However, patients with pacemakers may wish to consult their physicians if they have concerns.

PRECAUTIONS TO BE OBSERVED BEFORE AND DURING SERVICING TO AVOID POSSIBLE EXPOSURE TO EXCESSIVE MICROWAVE ENERGY

- (a) Do not operate or allow the oven to be operated with the door open.
- (b) Make the following safety checks on all ovens to be serviced before activating the magnetron or other microwave source, and make repairs as necessary: interlock operation, proper door closing, seal and sealing surfaces (arcing, wear, and other damage), damage to or loosening of hinges and latches, evidence of dropping or abuse.
- (c) Before turning on microwave power for any service test or inspection within the microwave generating compartment, check the magnetron, wave guide or transmission line, and cavity for proper alignment, integrity and connection.
- (d) Any defective or misadjusted components in the interlock, monitor, door seal, and microwave generation and transmission systems, shall be repaired, replaced, or adjusted by procedures described in this manual before the oven is released to the owner.
- (e) A microwave leakage check, to verify compliance with the Federal Performance Standard, should be performed on each oven prior to release to the owner.

Microwave safety



- **Warning!** Never leave the oven unwatched, especially when using paper, plastic or other combustible materials. These materials can char and may fire. FIRE RISK!
- **Warning!** Do not heat pure alcohol or alcoholic drinks in the microwave. FIRE RISK!
- **Warning!** Do not heat liquids or other foods in closed containers since these may explode readily.
- **Warning!** This appliance is not intended for use by persons (including children) with reduced physical, sensory or mental capabilities, or lack of experience and knowledge, unless they have been given supervision or instruction concerning use of the appliance by a person responsible for their safety. Children should be supervised to ensure that they do not play with the appliance.
- **Warning!** If the oven has a combined function mode (microwave with other means of heating), children should not be allowed to use the oven without adult supervision on account of the high temperatures generated.
- **Warning!** The oven cannot be used if:
 - The door is not closed correctly;
 - The door hinges are damaged;
 - The surfaces of the contact between the door and the oven front are damaged;
 - The door window glass is damaged;
 - There is frequent electrical arcing inside the oven even though there is no metal object inside.

The oven **can only be used again** after it has been repaired by a Technical Assistance Service technician.

Beware!

- Never heat baby foods or drinks in bottles or jars with the teats or lids on them. After heating the food mix or shake well so that the heat is spread evenly. Check the food temperature before feeding this to the child. DANGER OF BURNING!
- To avoid food overheating or burning it is very important not to select long time periods or power levels that are too high when **heating small quantities of food**. For example, a bread roll can burn after 3 minutes if the power selected is too high.
- For toasting, use just the grilling function and watch the oven all the time. If you use a combined function to toast bread it will catch fire in a very short time.
- Make sure you never catch the power cables of other electrical appliances in the hot door or the oven. The cable insulation may melt. **Danger of short-circuiting!**

Microwave safety

This oven is exclusively for domestic use!

Use the oven only for preparing meals.

Avoid damaging the oven or other dangerous situations by following these instructions:

- Do not switch on the oven without the **turntable support**, the **turntable ring** and the respective **plate** being in place.
- **Never switch on the microwave when it is empty.** If there is no food inside there may be an electrical overcharge and the oven could be damaged. **RISK OF DAMAGE!**
- **For carrying out oven programming tests** put a glass of water inside the oven. The water will absorb the microwaves and the oven will not be damaged.
- Use only **dishes suitable for microwaves.** **Before** using dishes and **containers** in the microwave, check that these are suitable (see the section on types of dishes).
- **Never remove the mica cover on the ceiling of the oven interior!** This cover stops fat and pieces of food damaging the microwave generator.
- Do not keep any **flammable object** inside the oven as it may burn if the oven is switched on.
- Do not use the oven as a **pantry**.
- **Eggs with their shells** and **whole boiled eggs** must not be heated in microwave ovens because they may explode.
- Do not use the oven for **frying** as it is impossible to control the temperature of oil heated by microwaves.
- **To avoid being burnt**, always use oven gloves for handling dishes and containers and touching the oven.
- **Do not lean or sit on the open oven door.** This may damage the oven, especially in the hinge zone. The door can bear a maximum weight of 8 kg.

- The turntable and the grills can bear a maximum load of 8 kg. To avoid damaging the oven, do not exceed this load.

Cleaning:

- **Warning!** Your microwave oven must be cleaned regularly. All food remains must be removed (see section on Oven Cleaning). If the microwave oven is not kept clean its surface may deteriorate **and this may** shorten the oven's working life and could even result in a dangerous situation.
- The door contact surfaces (the front of the cavity and the inside part of the doors) must be kept very clean in order to ensure the oven functions correctly.
- **Do not use harsh abrasive cleaners or sharp metal scrapers to clean the oven door glass since they can scratch the surface, which may result in shattering of the glass.**
- **Do not use high pressure or stream jet cleaning appliances.**
- Please follow the instructions regarding cleaning in the section "Oven Cleaning and Maintenance".

Repairs:

- **Warning – Microwaves! The outer protection of the oven must not be removed.** It is dangerous for anyone not authorized by the manufacturer to carry out any kind of repair or maintenance work.
- If the power cable is damaged it should be substituted by the manufacturer, authorized agents or technicians qualified for this task in order to avoid dangerous situations. Furthermore, special tools are required for this task.
- Repair and maintenance work, especially of current carrying parts, can only be carried out by technicians authorized by the manufacturer.

The advantages of microwaves

In conventional ovens, heat radiated by electrical elements or gas burners slowly penetrates the food from outside to inside. On account of this a major amount of energy is wasted heating the air, the oven components and the food containers.

In a microwave oven, heat is generated by the food itself and the heat travels from inside to outside. No heat is lost to the air, the walls of the oven cavity or the dishes and containers (if these are suitable for use in microwave oven), in other words, only the food is heated.

Microwave ovens have the following advantages:

1. Shorter cooking times; in general these are up to 3/4 less than the time required for conventional cooking.
2. Ultra-fast food defrosting, thus reducing the danger of bacterial development.
3. Energy savings.
4. Conservation of the nutritional value of foods due to the shorter cooking times.
5. Easy to clean.

How a microwave oven works

In a microwave oven there is a high tension valve called a magnetron which converts electrical energy into microwave energy. These electromagnetic waves are channelled to the interior of the oven through a wave guide and distributed by a metallic spreader or through a turntable.

Inside the oven the microwaves propagate in all directions and are reflected by the metal walls, uniformly penetrating the food.

Why food heats up

Most foods contain water and water molecules vibrate when subjected to microwaves.

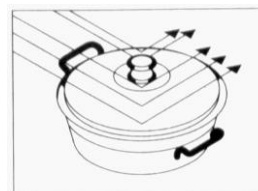
The friction between molecules produces heat which raises the temperature of the food, defrosting it, cooking it or keeping it hot.

Since the heat arises inside the food:

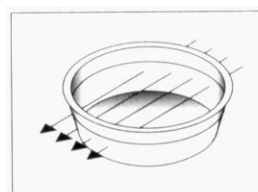
- This can be cooked with little or no liquid or fats/oils;
- Defrosting, heating or cooking in a microwave oven is quicker than in a conventional oven;
- The vitamins, minerals and nutritional substances in the food are conserved;
- The natural colour and aroma of the food are unchanged.

Microwaves pass through china, glass, cardboard or plastic but do not go through metal. For this reason, metal containers or ones with metal parts must not be used in a microwave oven.

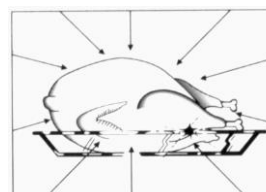
Microwaves are reflected by metal...



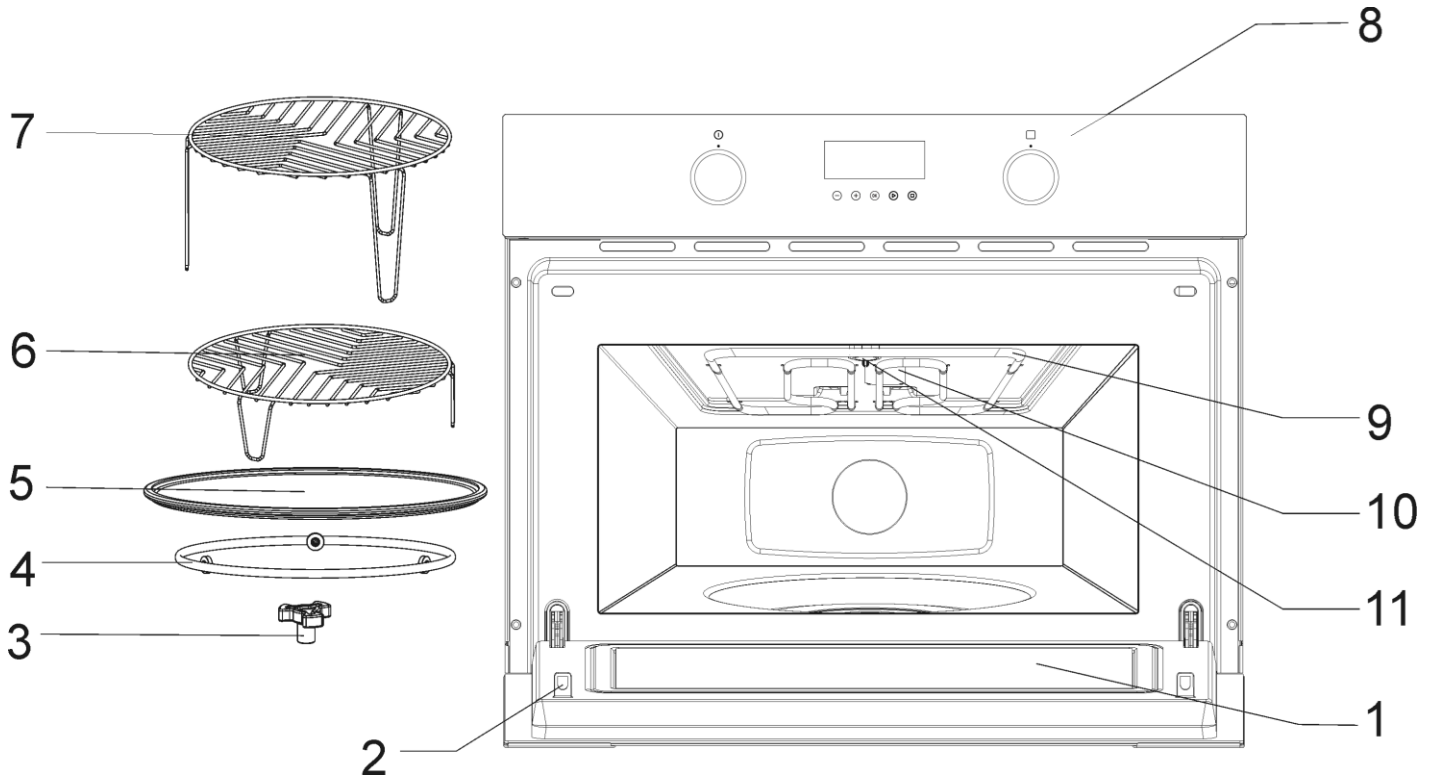
... but go through glass and china...



and are absorbed by foods.

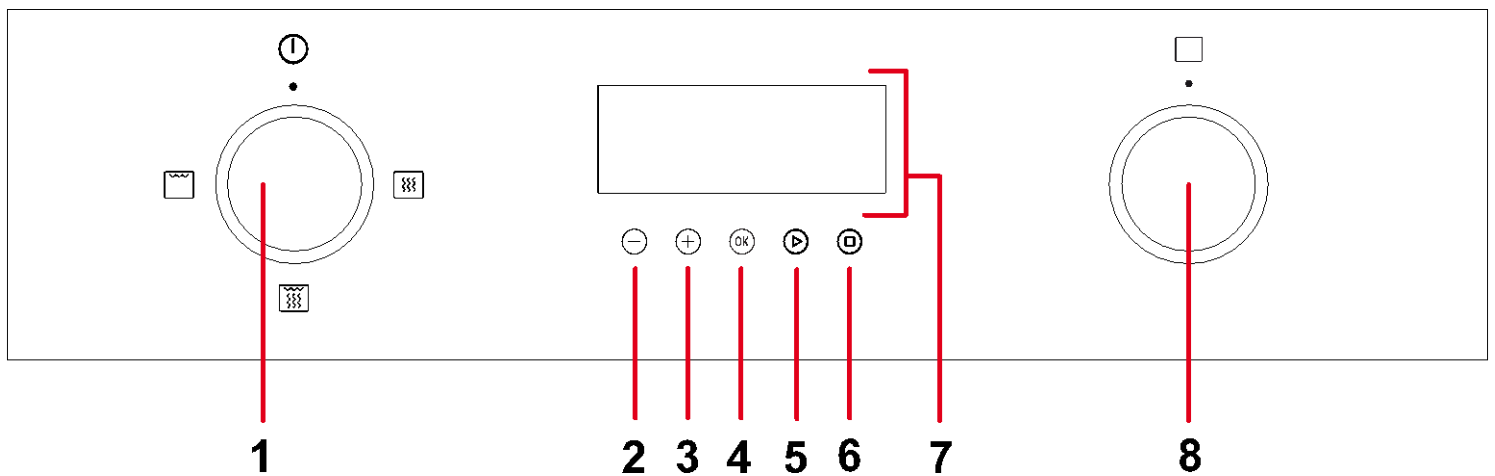


Description of microwave oven



- 1. Door window glass
- 2. Catches
- 3. Turntable support
- 4. Turntable ring
- 5. Turntable plate
- 6. Low grill

- 7. High grill
- 8. Control panel
- 9. Grill
- 10. Mica cover
- 11. Lamp






- 1. Function selector
- 2. "-" key
- 3. "+" key
- 4. OK key

- 5. Start key
- 6. Stop key
- 7. Display
- 8. Microwave power level selector

Description of microwave oven

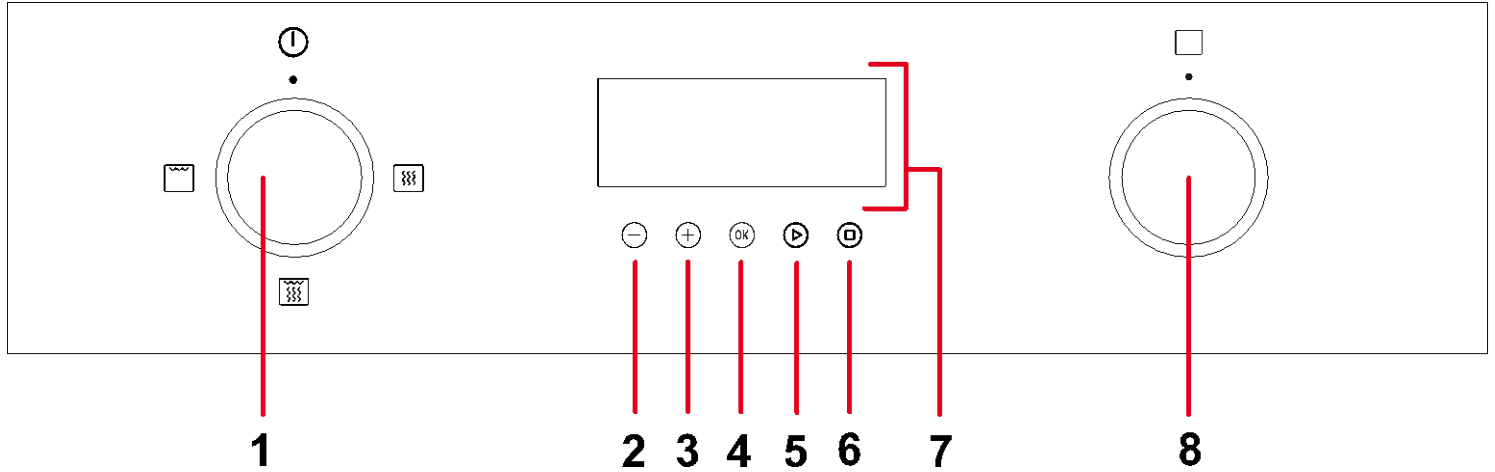
Description of Functions

Function		Microwaves Power	Foods
	Microwave	150 W	Slow defrosting for delicate foods; keeping food hot
		300 W	Cooking with little heat; boiling rice. Rapid defrosting
		550 W	Melting butter. Heating baby food
		750 W	Cooking vegetables and food. Cooking and heating carefully. Heating and cooking small portions of food. Heating delicate food
		1000 W	Cooking and rapidly heating liquids and pre-cooked foods
	Microwave + Grill	150 W	Toasting food
		300 W	Grilling poultry and meat
		550 W	Cooking pies and cheese-topped dishes
		750 W	Use carefully: food might burn.
		1000 W	Use carefully: food might burn.
	Grill	---	Grilling food

Basic settings

Setting the clock

After your microwave oven is first connected or after a power failure, the clock display will flash to indicate that the time shown is not correct.



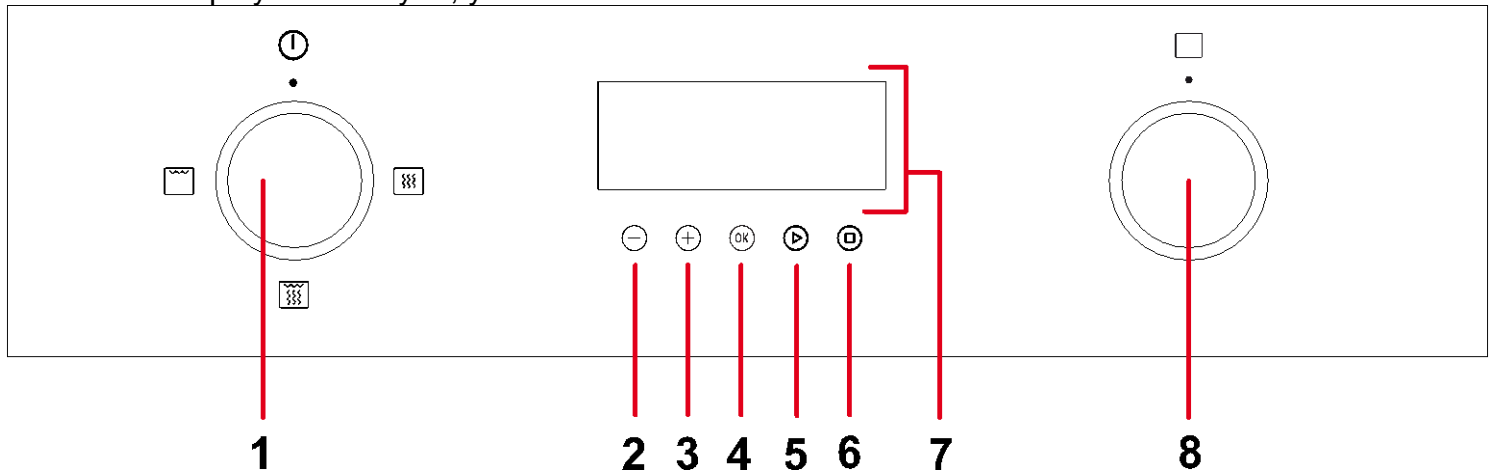
To set the clock, proceed as follows:

1. Press the “+” key until the Clock Indicator Light starts to flash.
2. Press the **OK** key.
3. Press “-” and “+” keys to set the correct hour value.

4. Press the **OK** key to validate the hour value. The minute numbers will start to flash.
5. Press “-” and “+” keys to set the correct minute value.
6. To finish, press the **OK** key again.

Hiding / Displaying the Clock

If the clock display disturbs you, you can hide it.



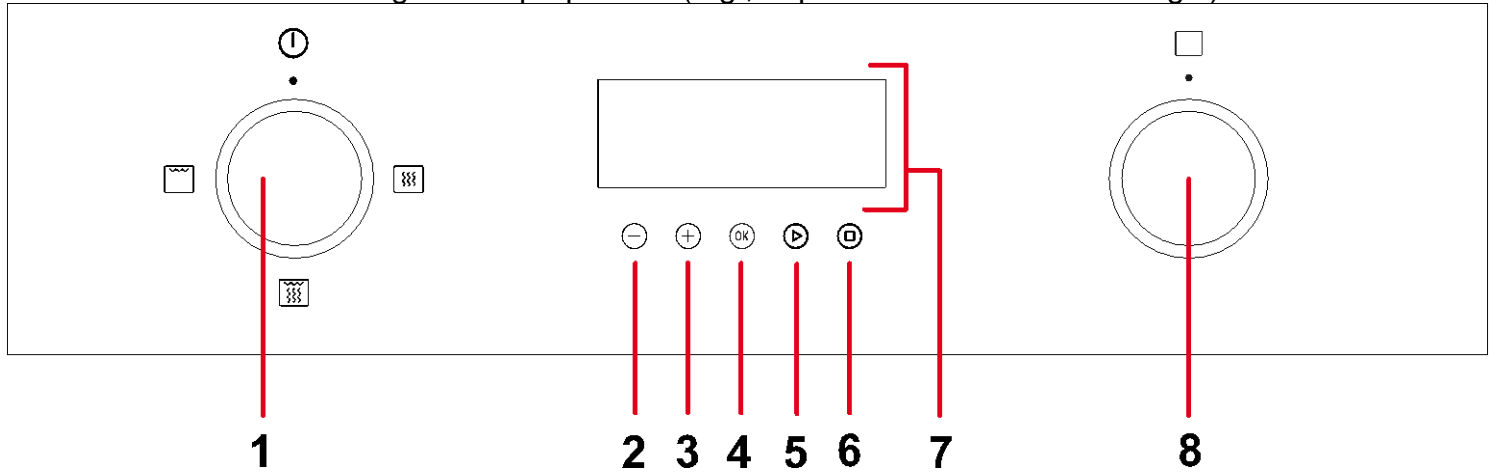
1. Press the “-” and “+” keys simultaneously for 5 seconds. The dots that separate the hours and minutes will flash but the rest of the clock display will be hidden.

2. If you want to see the clock again, press the “-” and “+” simultaneously again for 5 seconds.

Basic settings

Child lock

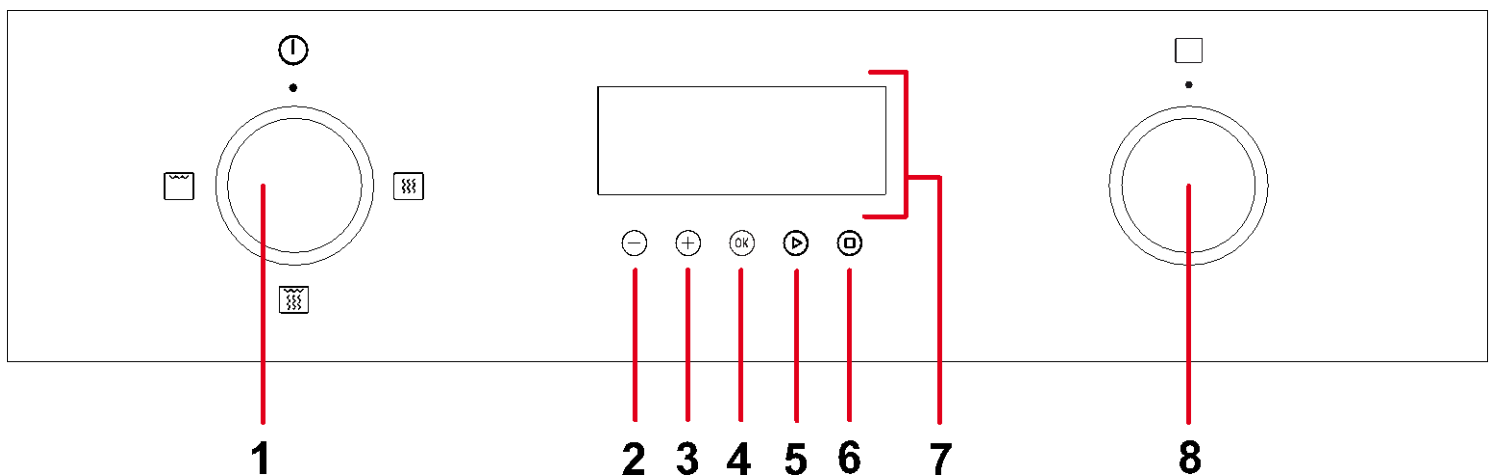
The oven can be blocked against improper use (e.g., to prevent children from using it).



1. To block the oven, press the **Stop key** for 3-5 seconds. When the oven is blocked **"SAFE"** appears on the display and the oven performs no function.

2. To unblock the oven press again the **Stop key** for 3-5 seconds..

Timer



1. Press the **+** key until the Timer indicator light flashes.

2. Press the **Start** key.

3. The numbers flash. Press the **-** and **+** keys to set the desired time.

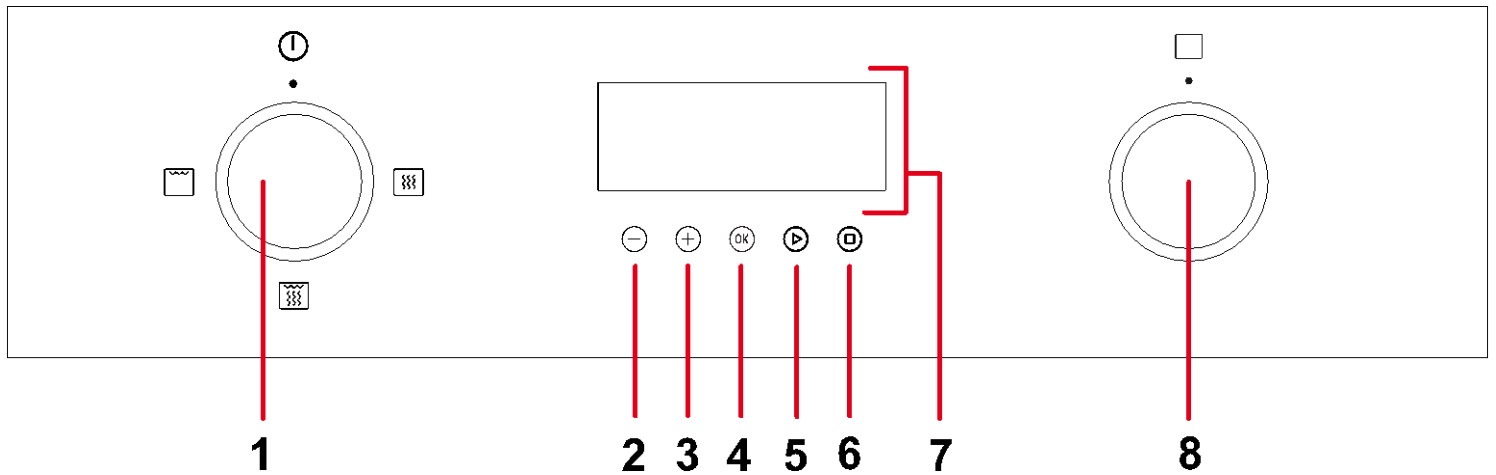
4. Press the **Start** key. The timer will countdown to zero and at the end of the set time the oven will sound 3 beeps every 30 seconds until the **Stop** key is pressed.


To cancel the active Timer function repeat the above steps but setting the time to zero.

Basic functions

Microwave

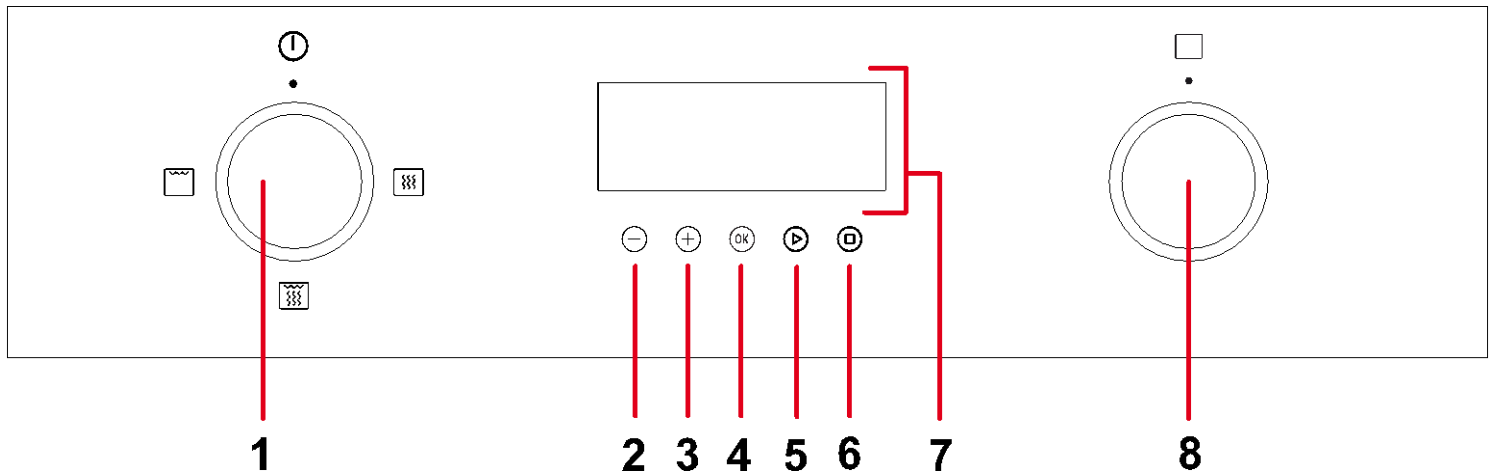
Use this function to cook and heat up vegetables, potatoes, rice, fish and meat.




1. Turn the **Function selector** to the microwave position “”. The Operating time indicator Light and Display (numbers) start to flash.
2. With the “-” and “+” keys, select the desired time.
3. Set the desired microwave power level with the **Microwave power level selector** (see technical features).
4. Press the **Start key**. The cooking process begins.

Grill

Use this function to brown the surface of food quickly.

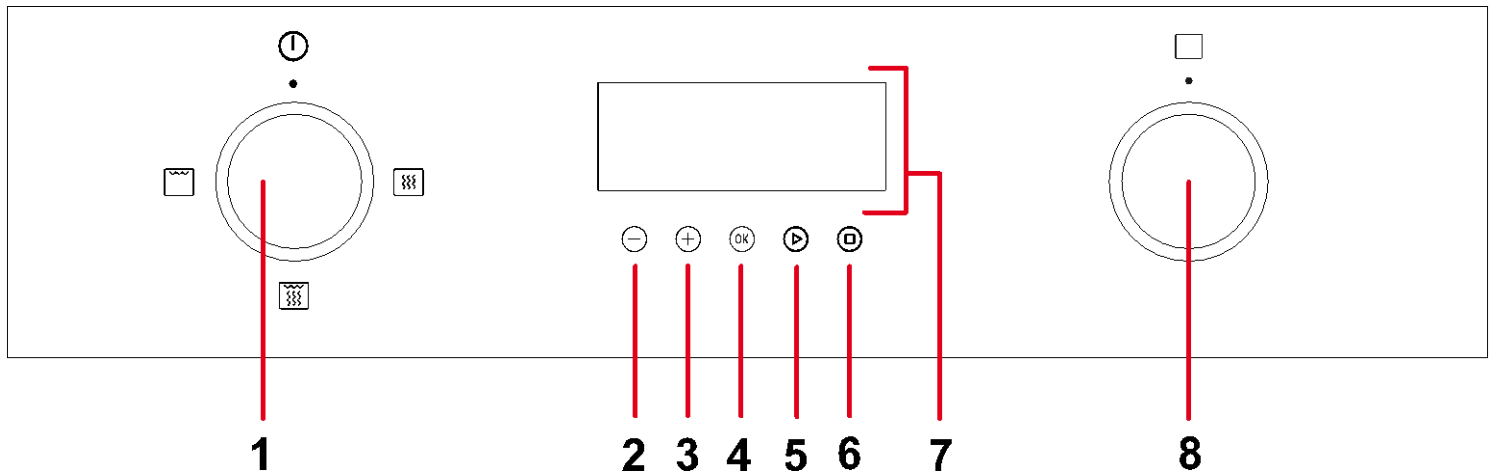


1. Turn the **Function selector** to the **grill** position “”. The **Operating time indicator light** and **Display (numbers)** start to flash.
 2. With the “-” and “+” keys, select the desired time.
 3. Press the **start key**. The cooking process will begin.
- Please note: The position of the microwave power level selector does **not** affect the operation.

Basic functions

Microwave + Grill

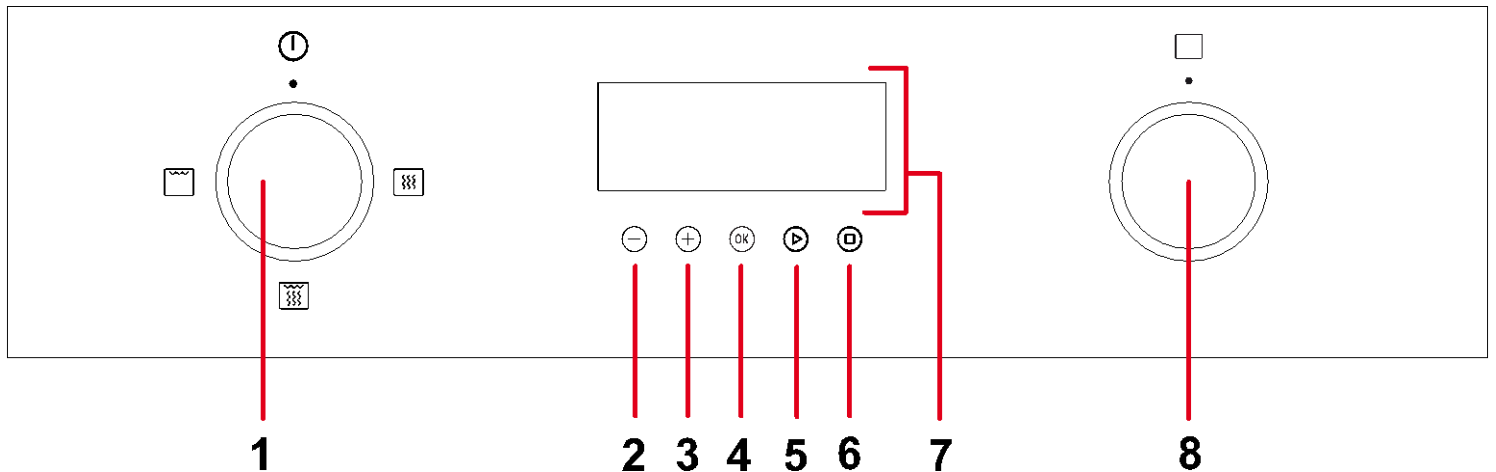
Use this function to cook lasagne, poultry, baked potatoes and casseroles.



1. Turn the **function selector** to the microwave + grill position “”. The Operating time indicator light and Display (numbers) start to flash.
2. With the “-” and “+” keys, select the desired time.
3. Set the desired microwave power level with the **Microwave power level selector** (see technical features).
4. Press the **Start key**. The cooking process will begin.

Quick start

This function can be used with all the basic functions (microwave, grill, and microwave + grill).



1. In the Standby mode (function selector in any position: microwave, grill or microwave + grill) press the **Start key**. The oven starts to operate for 30 seconds.
2. If you want to increase the operating time press the **Start key** again. Each time you press this key the operating time will be increased by 30 seconds.

When the oven is working...

Interrupting a cooking cycle

You can stop the cooking process at any time by pressing the **Stop** key once or by opening the oven door.

In both cases:

- **Microwave emission is stopped immediately.**
- The grill is de-activated but is **still very hot. Danger of burning!**
- The timer stops automatically, indicating the operating time that is left.

If you wish, at this time you can:

1. Turn or stir the food to ensure it will be evenly cooked.
2. Change the process parameters.

To restart the process, close the door and press the **Start** key

Altering parameters

The operating parameters

- Time (with the “-” and “+” keys)
- Function (with the function selector)
- Power (with the microwave power level selector)

can be altered when the oven is operating or when the cooking process has been interrupted by simply turning the respective knob to the new value.

Cancelling a cooking cycle

If you wish to cancel the cooking process, press the **Stop** key twice.

End of a cooking cycle

At the end of the process you will hear one beep and the display will show the word “**End**”.

Defrosting

General instructions for defrosting

1. When defrosting, use only dishes that are appropriate for microwaves (china, glass, suitable plastic).
2. The defrost function by weight and the tables refer to the defrosting of raw food.
3. The defrosting time depends on the quantity and thickness of the food. When freezing food keep the defrosting process in mind. Distribute the food evenly in the container.
4. Distribute the food as best as possible inside the oven. The thickest parts of fish or chicken drumsticks should be turned towards the outside. You can protect the most delicate parts of food with pieces of aluminium foil. Important: The aluminium foil must not come into contact with the oven cavity interior as this can cause electrical arcing.
5. Thick portions of food should be turned several times.
6. Distribute the frozen food as evenly as possible since narrow and thin portions defrost more quickly than the thicker and broader parts.
7. Fat-rich foods such as butter, cream cheese and cream should not be completely defrosted. If they are kept at room temperature they will be ready to be served in a few minutes. With ultra-frozen cream, if you find small pieces of ice in it, you should mix these in before serving.
8. Place poultry on an upturned plate so that the meat juices can run off more easily.
9. Bread should be wrapped in a napkin so that it does not become too dry.
10. Turn the food at regular intervals.
11. Remove frozen food from its wrapping and do not forget to take off any metal twist-tags. For containers that are used to keep frozen food in the freezer and which can also be used for heating and cooking, all you need to do is take off the lid. For all other cases you should put the food into containers that are suitable for microwave use.
12. The liquid resulting from defrosting, principally that from poultry, should be discarded. In no event should such liquids be allowed to come into contact with other foods.
13. Do not forget that by using the defrosting function you need to allow for standing time until the food is completely defrosted.

Defrosting

To defrost food you should select Microwave function with one of the following Power Levels:

Power Level	Power
Defrost / Keep Warm	150 W
Defrost	300 W

The table below shows different defrosting and standing times (in order to ensure the food temperature is evenly distributed) for different types and weights of food, plus recommendations.

Food	Weight (g)	Defrosting time (min)	Standing time (min)	Recommendation
Portions of meat, veal, beef, pork	100	2-3	5-10	Turn once
	200	4-5	5-10	Turn once
	500	10-12	10-15	Turn twice
	1000	21-23	20-30	Turn twice
	1500	32-34	20-30	Turn twice
	2000	43-45	25-35	Turn three times
Goulash	500	8-10	10-15	Turn twice
	1000	17-19	20-30	Turn three times
Minced meat	100	2-4	10-15	Turn twice
	500	10-14	20-30	Turn three times
Sausages	200	4-6	10-15	Turn once
	500	9-12	15-20	Turn twice
Poultry (portions)	250	5-6	5-10	Turn once
Chicken	1000	20-24	20-30	Turn twice
Poularde	2500	38-42	25-35	Turn three times
Fish fillet	200	4-5	5-10	Turn once
Trout	250	5-6	5-10	Turn once
Prawns	100	2-3	5-10	Turn once
	500	8-11	15-20	Turn twice
Fruit	200	4-5	5-10	Turn once
	300	8-9	5-10	Turn once
	500	11-14	10-20	Turn twice
Bread	200	4-5	5-10	Turn once
	500	10-12	10-15	Turn once
	800	15-17	10-20	Turn twice
Butter	250	8-10	10-15	
Cream cheese	250	6-8	10-15	
Creams	250	7-8	10-15	

Cooking with a microwave oven

Warning! Read the section “Microwave Safety” before cooking with your microwave.

Follow these recommendations when cooking with your microwave:

- Before heating or cooking foods with peel or **skin** (e.g. apples, tomatoes, potatoes, sausages) **prick them** so that they do not burst. Cut the food up before starting to prepare it.
- Before using a container or dish make sure that it is suitable for microwave use (see the section on types of ovenware).
- When cooking food with very little moisture (e.g. **defrosting bread**, making popcorn, etc.) evaporation is very quick. The oven then works as if it was empty and the food may burn. The oven and the container may be damaged in such a situation. You should therefore set just the cooking time necessary and you must keep a close eye on the cooking process.
- It is not possible to heat large quantities of oil (**frying**) in the microwave.
- Remove **pre-cooked food** from the containers they come in since these are not always heat resistant. Follow the food manufacturer's instructions.
- **If you have several containers**, such as cups, for example, set them out uniformly on the turntable plate.
- Do not close **plastic bags** with metal clips. Use plastic clips instead. Prick the bags several times so that the steam can escape easily.
- When heating or cooking foods, check that they reach **at least a temperature of 70°C**.
- During cooking, **steam** may form on the oven door window and may start to drip. This situation is normal and may be more noticeable if the room temperature is low. The oven's safe working is not affected by this. After you have finished cooking, clean up the water coming from the condensation

- When heating liquids, use **containers with a wide opening**, so that the steam can evaporate easily.

Prepare the foods as per the instructions and keep in mind the cooking times and power levels indicated in the tables.

Keep in mind that the figures given are only indicative and can vary depending on the initial state, temperature, moisture and type of food. It is advisable to adjust the times and power levels to each situation. Depending on the exact characteristics of the food you may need to increase or shorten the cooking times or increase or decrease the power levels.

Cooling with microwaves...

1. The greater the amount of food, the longer the cooking time. Keep in mind that:
 - Double the quantity » double the time
 - Half the quantity » half the time
2. The lower the temperature, the longer the cooking time.
3. Foods containing a lot of liquid heat up more quickly.
4. Cooking will be more uniform if the food is evenly distributed on the turntable. If you put dense foods on the outside part of the plate and less dense ones on the centre of the plate, you can heat up different types of food simultaneously.
5. You can open the oven door at any time. When you do this the oven switches off automatically. The microwave will only start working again when you close the door and press the start key.
6. Foods that are covered require less cooking time and retain their characteristics better. The lids used must let microwaves pass through and have small holes that allow steam to escape.

Cooking with a microwave oven

Tables and suggestions – Cooking vegetables

Food	Quantity (g)	Addition of liquids	Power (Watt)	Time (min.)	Standing Time (min.)	Instructions
Cauliflower	500	100 ml	750	9-11	2-3	Divide into florets
Broccoli	300	50 ml	750	6-8	2-3	Cut into slices
Mushrooms	250	25 ml	750	6-8	2-3	Turn 1 x, cover
Peas & carrots,	300	100 ml	750	7-9	2-3	Cut into cubes or slices. Cover. Turn 1 x
Frozen carrots	250	25 ml	750	8-10	2-3	
Potatoes	250	25 ml	750	5-7	2-3	Peel, cut into uniform pieces. Cover, turn 1 x
Pepper	250	25 ml	750	5-7	2-3	Cut into pieces or slices. Cover. Turn 1 x
Leek	250	50 ml	750	5-7	2-3	Cover. Turn 1 x
Frozen Brussel sprouts	300	50 ml	750	6-8	2-3	Cover. Turn 1 x
Sauerkraut	250	25 ml	750	8-10	2-3	Cover. Turn 1 x

Tables and suggestions – Cooking fish

Food	Quantity (g)	Power (Watt)	Time (min.)	Standing Time (min.)	Instructions
Fish fillets	500	550	10-12	3	Cook covered over. Turn after half of cooking time.
Whole fish	800	750 300	2-3 7-9	2-3	Cook covered over. Turn after half of cooking time. You may wish to cover up the small edges of the fish.

Cooking with the grill

For good results with the grill, use the grill rack supplied with the oven.

Fit the grill rack in such a way that it doesn't come into contact with the metal surfaces of the oven cavity since if it does there is a danger of electric arcing which may damage the oven.

IMPORTANT POINTS:

1. When the microwave grill is used for the first time there will be some smoke and a smell coming from the oils used during oven manufacture.
2. The oven door window becomes very hot when the grill is working. **Keep children away.**
3. When the grill is operating, the cavity walls and the grill rack become very hot. You should use oven gloves.

4. If the grill is used for extended period of time it is normal to find that the elements will switch themselves off temporarily due to the safety thermostat.
5. **Important!** When food is to be grilled or cooked in containers you must check that the container in question is suitable for microwave use. See the section on types of ovenware!
6. When the grill is used it is possible that some splashes of fat may go onto the elements and be burnt. This is a normal situation and does not mean there is any kind of operating fault.
7. After you have finished cooking, clean the interior and the accessories so that cooking remains do not become encrusted.

Cooking with the grill

Tables and suggestions – Grill without microwave

Fish	Quantity (g)	Time (min.)	Instructions
Fish			
Bass	800	18-24	Spread lightly with butter. After half of cooking time turn and spread with seasoning.
Sardines/gurnard	6-8 fish.	15-20	
Meat			
Sausages	6-8 units	22-26	Halfway through, pierce and turn over.
Frozen hamburgers	3 units	18-20	Turn over 2 or 3x
Spare rib (approx. 3 cm thick)	400	25-30	Baste with oil, turn over halfway through
Others			
Toast	4 units	1½-3	Keep an eye on the toasting process, turn over
Toasted sandwiches	2 units	5-10	Keep an eye on the toasting process.

Heat up the grill beforehand for 2 minutes. Unless indicated otherwise, use the grill rack. Place the grid on a bowl so that the water and the fat can drop.

The times shown are merely indicative and can vary as a function of the composition and quantity of the food, as well as the final condition wished for. Fish and meat taste great if, before grilling, you brush them with vegetable oil, spices and herbs and leave to marinate for a few hours. Only add salt after grilling.

Sausages will not burst if you prick them with a fork before grilling.

After half the grilling time has passed, check on how the cooking is going and, if necessary, turn the food over.

The grill is especially suitable for cooking thin portions of meat and fish. Thin portions of meat only need to be turned once, but thicker portions should be turned several times.

Cooking with the Grill

Tables and suggestions – Microwave + Grill

The microwave + grill function is ideal for cooking quickly and, at the same time, browning foods. Furthermore, you can also grill and cook cheese

covered food. The microwave and the grill work simultaneously. The microwave cooks and the grill toasts.

Food	Quantity (g)	Dish	Power (Watt)	Time (min.)	Standing time (min.)
Cheese topped pasta	500	Low dish	300	12-17	3-5
Cheese topped potatoes	800	Low dish	550	20-22	3-5
Lasagne	approx. 800	Low dish	550	15-20	3-5
Grilled cream cheese	approx. 500	Low dish	300	18-20	3-5
2 fresh chicken legs (grilled)	200 each	Low dish	300	10-15	3-5
Chicken	approx. 1000	Low and wide dish	300	35-40	3-5
Cheese topped onion soup	2 x 200 g cups	Soup bowls	300	2-4	3-5

Before using a dish in the microwave oven make sure that it is suitable for microwave use. Only use dishes or containers that are suitable for microwave use.

The dish to be used in the combined function must be suitable for microwave and grill use. See the section on types of ovenware!

Keep in mind that the figures given are merely indicative and can vary as a function of the initial state, temperature, moisture and type of food.

If the time is not enough to brown the food well, put it under the grill for another 5 or 10 minutes.

Please follow the standing times and don't forget to turn the meat pieces.

Unless indicated to the contrary, use the turntable plate for cooking.

The values given in the tables are valid when the oven cavity is cold (it is not necessary to pre-heat the oven).

What kind of ovenware can be used?

Microwave function

For the microwave function, keep in mind that microwaves are reflected by metal surfaces. Glass, china, clay, plastic, and paper let microwaves pass.

For this reason, **metal pans and dishes or containers with metal parts or decorations cannot be used in the microwave.** Glass ware and clay with **metallic decoration or content** (e.g. lead crystal) cannot be used in microwave ovens.

The **ideal** materials for use in microwave ovens are glass, refractory china or clay, or heat resistant plastic. Very thin, fragile glass or china should only be used for short period of times (e.g. heating).

Hot food transmits heat to the dishes which can become very hot. You should, therefore, always use an **oven glove!**

How to test ovenware you want to use

Put the item you want to use in the oven for 20 seconds at maximum microwave power. After that time, if it is cold and just slightly warm, it is suitable to use. However, if it heats up a lot or causes electric arcing it is not suitable for microwave use.

Grill function

In the case of the grill function, the ovenware must be resistant to temperature of at least 300°C.

Plastic dishes are not suitable for use in the grill.

Microwave + grill function

In the microwave + grill function, the ovenware used must be suitable for use in both the microwave and the grill.

Aluminium containers and foil

Pre-cooked food in aluminium containers or in aluminium foil can be put in the microwave if the following aspects are respected:

- Keep in mind the manufacturer's recommendations written on the packaging.
- The aluminium containers cannot be more than 3 cm high or come in contact with the cavity walls (**minimum distance 3 cm**). Any aluminium lid or top must be removed.
- Put the aluminium container directly on top of the turntable plate. If you use the grill rack, put the container on a china plate. Never put the container directly on the grill rack!
- The cooking time is longer because the microwaves only enter the food from the top. If you have any doubts, it is best to use only dishes suitable for microwave use.
- Aluminium foil can be used to reflect microwaves during the defrosting process. Delicate food, such as poultry or minced meat, can be protected from excessive heat by covering the respective extremities/edges.
- **Important:** aluminium foil cannot come into contact with the cavity walls since this may cause electrical arcing.

Lids

We recommend you use glass or plastic lids or cling film since:

1. This will stop excessive evaporation (mainly during very long cooking times);
2. The cooking times are shorter;
3. The food does not become dry;
4. The aroma is preserved.

The lid should have holes or openings so that no pressure develops. Plastic bags must also be opened. Baby feeding bottles or jars with baby food and similar containers can only be heated without their tops / lids otherwise they can burst.

What kind of ovenware can be used?

Table of Ovenware

The table below gives you a general idea of what type of ovenware is suitable for each situation.

Operating mode Type of ovenware	Microwave		Grill	Microwave + Grill
	Defrosting / heating	Cooking		
Glass and china 1) Home use, not flame resistant, can be used in dish washer	yes	yes	no	no
Glazed china Flame resistant glass and china	yes	yes	yes	yes
China, stone ware 2) Unglazed or glazed without metallic decorations	yes	yes	no	no
Clay dishes 2) Glazed	yes	yes	no	no
Unglazed	no	no	no	no
Plastic dishes 2) Heat resistant to 100°C	yes	no	no	no
Heat resistant to 250°C	yes	yes	no	no
Plastic films 3) Plastic film for food	no	no	no	no
Cellophane	yes	yes	no	no
Paper, cardboard, parchment 4)	yes	No	no	no
Metal Aluminium foil	yes	no	yes	no
Aluminium wrappings 5)	no	yes	yes	yes
Accessories	yes	yes	yes	yes

1. Without any gold or silver leaf edging; no lead crystal.
2. Keep the manufacturer's instructions in mind!
3. Do not use metal clips for closing bags. Make holes in the bags. Use the films only to cover the food.

4. Do not use paper plates.
5. Only shallow aluminium containers without lids/tops. The aluminium cannot come into contact with the cavity walls.

Oven Cleaning and Maintenance

Cleaning is the only maintenance normally required.

Warning! Your microwave oven should be cleaned regularly, with all food remains being removed. If the microwave is not kept clean its surfaces may deteriorate, **reducing the oven's working life and possibly resulting in a dangerous situation.**

Warning! Cleaning should be done with the oven power switched off. Take the plug out of the socket or switch off the oven's power circuit.

Do not use aggressive or abrasive cleaning products, scourers that scratch surfaces or sharp objects, since stains may appear.

Do not use high pressure or stream jet cleaning appliances.

Front surface

Normally you just need to clean the oven with a damp cloth. If it is very dirty, add a few drops of dishwashing liquid to the cleaning water. Afterwards, wipe the oven with a dry cloth.

In an oven with an aluminium front, use a glass cleaning product and a soft cloth that does not release any fibres or threads. Wipe from side to side without exerting any pressure on the surface.

Immediately remove lime, fat, starch or egg white stains. Corrosion can occur under these stains.

Do not let any water get inside the oven.

Oven interior

After each time the oven is used, clean the inside walls with a damp cloth since this is the easiest way to remove splashes or spots of food that may have stuck to the inside.

To remove dirt that is harder to shift, use a non-aggressive cleaning product. **Do not use oven sprays or other aggressive or abrasive cleaning products.**

Always keep the door and the oven front very clean to ensure that the door opens and closes properly.

Make sure water does not enter the microwave ventilation holes.

Regularly take out the turntable plate and the respective support and clean the cavity base, especially after any liquid spillage.

Do not switch on the oven without the turntable and the respective support being in place.

If the oven cavity is very dirty, put a glass of water on the turntable and switch on the microwave oven for 2 or 3 minutes at maximum power. The steam released will soften the dirt which can then be cleaned easily using a soft cloth.

Unpleasant odours (e.g. after cooking fish) can be eliminated easily. Add a few drops of lemon juice or vinegar in a cup of water. Put a spoonful of coffee in the cup to avoid the water boiling over. Heat the water for 2 to 3 minutes at maximum microwave power.

Oven Cleaning and Maintenance

Oven ceiling

If the oven ceiling is dirty, the grill can be lowered to make cleaning easier.

To avoid the danger of burning, wait until the grill is cold before lowering it.

Proceed as follows:

1. Turn the grill support by 180° (1).
2. Lower the grill gently (2). **Do not use excessive force as this may cause damage.**
3. After cleaning the ceiling, put the grill (2) back in its place, carrying out the previous operation.

IMPORTANT WARNING: The grill heating element support (1) may fall when it is rotated. If this happens, insert the grill heating element support (1) into the slot in the ceiling of the cavity and rotate it 90° to the grill heating element support (2) position.

The mica cover (3) located in the ceiling must always be kept clean. Any food remains that collect on the mica cover can cause damage or provoke sparks.

Do not use abrasive cleaning products or sharp objects.

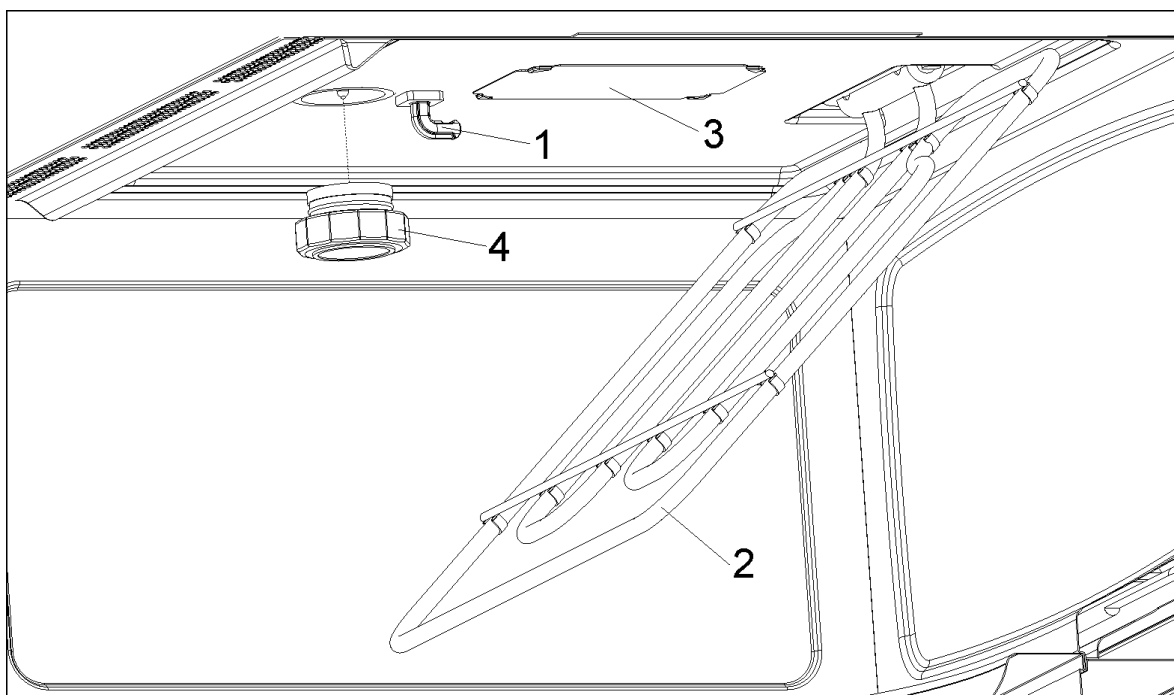
To avoid any risk, do not remove the mica cover.

The glass lamp cover (4) is located on the oven ceiling and can be removed easily for cleaning. For this you just need to unscrew it and clean it with water and dishwashing liquid.

Accessories

Clean the accessories after each use. If they are very dirty, soak them first of all and then use a brush and sponge. The accessories can be washed in a dish washing machine.

Make sure that the turntable plate and the respective support are always clean. Do not switch on the oven unless the turntable and the respective support are in place.



What should I do if the oven doesn't work?

WARNING! Any type of repair must only be done by a specialised technician. Any repair done by a person not authorised by the manufacturer is dangerous.

You do not need to contact Technical Assistance to resolve the following questions:

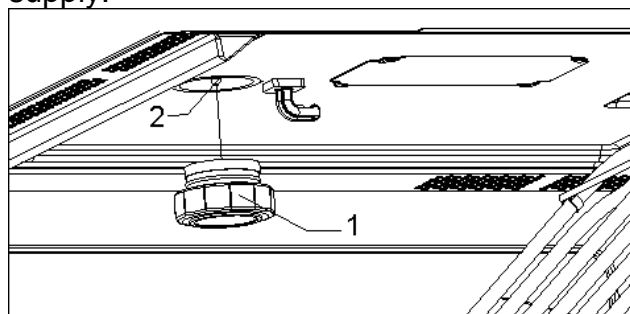
- **The display is not showing!** Check if:
 - The time indication has been switched off (see section on Basic Settings).
- **Nothing happens when I press the keys!** Check if:
 - The Safety Block is active (see section on Basic Settings).
- **The oven does not work!** Check if:
 - The oven's power is switched on.
 - The door is completely closed. The door should close with an audible click.
 - There are any foreign bodies between the door and the cavity front.
- **When the oven is operating I can hear some strange noises!** Check if:
 - There is any electrical arcing inside the oven caused by foreign metallic objects (see section on type of ovenware).
 - The ovenware is touching the oven walls.
 - There are any loose items of cutlery or cooking tools inside the oven.
- **The food doesn't heat up or heats very slowly!** Check if:
 - You have inadvertently used metal ovenware.
 - You have selected the correct operating times and power level.
 - The food you have put inside the oven is a larger amount or colder than you usually put in.

- The food is too hot, dried out or burnt! Check if you selected the correct operating time and power level.
- I hear some noises after the cooking process is finished! This is not a problem. The cooling fan keeps on working for some time. When the temperature has dropped sufficiently, the fan will switch itself off.
- The oven switches on but the interior light does not go on! If all the functions work properly it is probable that the lamp has blown. You can keep on using the oven.

Replacement of the light bulb

To substitute the light bulb, proceed as follows:

- Disconnect the oven from the power supply. Take the plug out of the socket or switch off the oven's power circuit.
- Unscrew and remove the glass light cover (1).
- Remove the halogen light bulb (2). **Warning! The bulb may be very hot.**
- Fit a new 12V / 10W halogen bulb. **Warning! Do not touch the light bulb surface directly with your fingers because you may damage the bulb.** Follow the lamp manufacturer's instructions.
- Screw the glass light cover into place (1).
- Connect the oven again to the power supply.



NOTE: Replacement bulbs can be ordered from EURO-PARTS 1-866-722-2262

Technical characteristics

Specifications

- AC Voltage (See rating plate)
- Power required..... 3300 W
- Grill power..... 1500 W
- Microwave output power. 1000 W
- Microwave frequency 2450 MHz
- Exterior dimensions (W×H×D)..... 595 × 455 × 472 mm
- Interior dimensions (W×H×D)..... 420 × 210 × 390 mm
- Oven capacity. 38 l
- Weight..... 35 kg

Installation instructions

Before installation

Check that the input voltage indicated on the rating plate is the same as the voltage of the power outlet you are going to use. The rating plate is located on the front part of the cavity and it is only visible after opening the door.

If required by the National Electrical Code (or Canadian Electrical Code), this appliance must be installed on a separate branch circuit.

Installer – show the owner the location of the circuit breaker or fuse. Mark it for easy reference.

Before installing, turn power OFF at the service panel. Lock service panel to prevent power from being turned ON accidentally.

Be sure your appliance is properly installed and grounded by a qualified technician. Installation, electrical connections and grounding must comply with all applicable codes.

Open the oven door and **take out all the accessories** and remove the packing material.

Do not remove the mica cover on the ceiling of the interior! This cover stops fat and pieces of food damaging the microwave generator.

Warning! The front surface of the oven may be wrapped with a **protective film**. Before using the oven for the first time, carefully remove this film, starting on the inside.

Make sure that the oven is not damaged in any way. Check that the oven door closes correctly and that the interior of the door and the front of the oven opening are not damaged. If you find any damage contact the Technical Assistance Service.

DO NOT USE THE OVEN if the metal conduit is damaged, if the oven does not function correctly or if it has been damaged or dropped. Contact the Technical Assistance Service.

Place the oven on a flat and stable surface. The oven must not be put close to any sources of heat, radios or televisions.

Electrical supply

Before installing the oven have a qualified electrician verify that your home is provided with adequate electrical service and that the addition of the oven will not overload the branch circuit on which it is to be installed.

A separate three-wire or four-wire single phase, 240 Volt, 60 Hz, branch circuit is required.

For hook-up of the oven you will need to have an approved junction box installed where it will be easily reached through the front of the cabinet where the oven will be located. The oven has 3 feet of conduit.

Allow two to three feet of slack in the line so that the oven can be moved if servicing is ever necessary.

DO NOT shorten the flexible conduit.

Wiring requirements

When making the wire connections, use the entire length of the conduit provided (3 feet). The conduit must not be cut.

Before making connections make sure the power is off and read and observe the following:

1. A separate three-wire or four-wire, single phase, 240 Volt, 60 Hz branch circuit is required for the oven.
2. The oven must be connected with Copper or Aluminum wire.
3. In the United States:

Wiring must conform to the National Electrical Code, ANSI/NFPA No. 7 latest edition. You can obtain a copy of the National Electrical Code by writing to: National Fire Protection Association Batterymarch Park Quincy, MA 02269

Installation instructions

In Canada:

Wiring must conform to Canadian Electrical Code C22.1- latest edition. You can obtain a copy of the Canadian Electrical Code by writing to: Canadian Standards Association 178 Rexdale Boulevard Rexdale (Toronto), Ontario, Canada M9W 1R3

4. Wire size (Copper or Aluminum wire) and connections must be suitable for the rating of the appliance as per the National Electrical Code requirements. The flexible armoured cable extending from the oven should be connected directly to the junction box.
5. The junction box should be located so as to allow as much slack as possible between the junction box and the oven so it can be moved if servicing is ever required.
6. A U.L. listed conduit connector must be provided at each end of the power supply cable.

Electrical connections

Be sure your appliance is properly installed and grounded by a qualified technician. Ask your dealer to recommend a qualified technician or an authorized repair service.

This appliance is manufactured with a green GROUND wire connected to the oven chassis. After making sure that the power has been turned off, connect the flexible conduit from the oven to the junction box using a U.L. listed conduit connector. The figures and the instructions provided below present the most common way of connecting the ovens.

Your local codes and ordinances, of course, take precedence over these instructions.

WARNING” Risk of Electric Shock, frame grounded to neutral of appliance through a link.

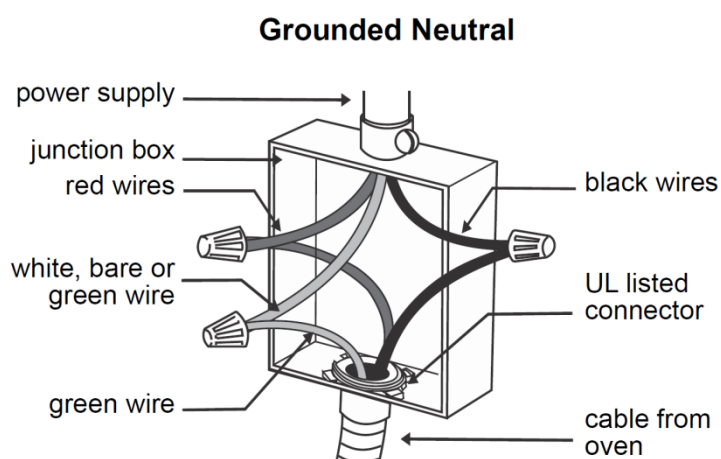
Grounding through the neutral conductor is prohibited for new branch-circuit installations (1996 NEC); mobile homes; and recreational vehicles, or in an area where local codes prohibit grounding through the neutral conductor. For installations where grounding through the neutral conductor is prohibited:

- Disconnect the ground from the neutral at free end of conduit;
- Use grounding terminal or lead to ground unit; and
- Connect neutral terminal or lead to branch circuit neutral in usual manner.

3-Wire branch circuit (for US only)

Refer to the following Figure, where local codes allow the connection of GROUND wire from the oven to the branch circuit NEUTRAL wire (gray or white colored wire):

- If local codes permit, connect the green GROUND wire from the oven and the white wire from the oven to the branch circuit NEUTRAL wire (gray or white colored wire).
- Connect the red and black leads from the oven to the corresponding leads in the junction box.

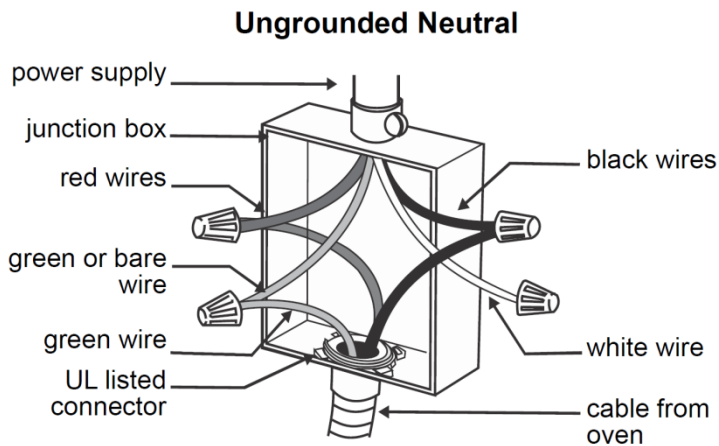


Installation instructions

4-Wire branch circuit (for US and CANADA)

Refer to the following Figure:

- Disconnect ground from neutral at free end of conduit.
- Connect the green GROUND wire from the oven to the GROUND wire in the junction box (bare or green colored wire).
- Connect the red and black leads from the oven to the corresponding leads in the junction box.

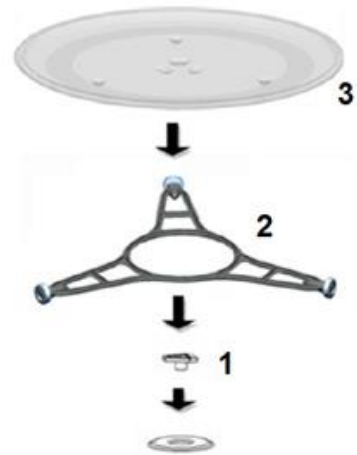


After installation

The oven only functions when the door is closed correctly.

After the first use, clean the inside of the oven and the accessories, following the cleaning instructions given in the section "Oven cleaning and maintenance".

Fit the Turntable support in the center of the oven cavity and put the Turntable ring and the Turntable plate on top, making sure they slot in. Whenever you use the microwave, the turntable plate and the respective accessories must be inside and correctly fitted. The turntable plate can rotate in both directions.



Sommaire

Instructions pour lier à la terre	35
Consignes de sécurité importantes	36
PRÉCAUTIONS POUR ÉVITER UNE EXPOSITION AUX MICRO-ONDES.....	38
Précautions à être observées avant et durant l'entretien pour éviter une possible exposition à un excès d'énergie du micro ondes	39
Les avantages des micro-ondes	42
Description du four.....	43
Réglages de base	45
Fonctions de base	47
Pendant le fonctionnement.....	49
Décongélation	50
Cuisiner aux micro-ondes.....	52
Cuisiner au gril.....	54
Quel type de vaisselle pouvez-vous utiliser?.....	56
Nettoyage et entretien du four	58
Que faire en cas de mauvais fonctionnement ?.....	60
Caractéristiques techniques.....	61
Instructions pour l'installation.....	62
Installation.....	65

INSTRUCTIONS POUR LIER À LA TERRE

L'appareil doit être lié à la terre. En cas de court-circuit électrique, la liaison à la terre réduit le risque de choc électrique grâce à la fuite permise par le fil de terre.

Attention! UNE MAUVAISE LIAISON À LA TERRE PEUT PROVOQUER UN RISQUE DE CHOC ÉLECTRIQUE.

Consultez un électricien qualifié si les instructions pour lié à la terre ne sont pas complètement comprises ou en cas de doute quant à savoir si l'appareil est correctement lié à la terre. Ne pas utiliser de rallonge. Si le cordon d'alimentation est trop court, demandez à un électricien qualifié d'installer une prise près de l'appareil.

CONSIGNES DE SÉCURITÉ IMPORTANTES

Lors de l'utilisation des appareils électriques les précautions bases de sécurité doivent être respectées, y compris ce qui suit :

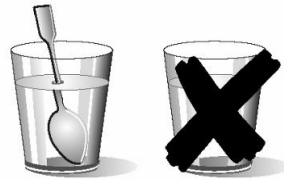
Attention! Pour réduire le risque de brûlures, d'électrocution, d'incendie, de blessure ou d'exposition à l'énergie micro-ondes excessive:

- Lisez toutes les instructions avant d'utiliser l'appareil.
- Lisez et suivez les " précautions pour éviter une exposition aux micro-ondes " spécifiques indiqués sur ce manuel.
- L'appareil doit être lié à la terre. Connectez uniquement à une prise de terre. Voir "consignes de liaison à terre" présentées dans ce manuel.
- Installer ou placer l'appareil en conformité aux instructions d'installation fournies.
- Certains produits comme les œufs entiers et des contenants scellés - par exemple, des bocaux en verre fermés peuvent exploser et ne doivent pas être chauffés dans ce four.
- Utilisez cet appareil uniquement pour l'usage prévu comme décrit dans le manuel. Ne pas utiliser de produits chimiques corrosifs dans cet appareil. Ce type de four a été spécialement conçu pour chauffer, cuire ou sécher des aliments. Il n'est pas conçu pour utilisation industriel ou de laboratoire.
- Comme dans tout appareil, une surveillance étroite est nécessaire quand il est utilisé par les enfants.
- Ne pas utiliser cet appareil s'il a le cordon ou la fiche endommagés, s'il ne fonctionne pas correctement, s'il a été endommagé ou s'il est tombé.
- Cet appareil doit être réparé que par un technicien qualifié. Contactez le centre de service agréé le plus proche pour une examinations, réparation ou réglage.
- Ne pas couvrir ou obstruer les ouvertures sur les appareils.
- Ne stockez pas cet appareil à l'extérieur. Ne pas utiliser ce produit près de l'eau - par exemple près d'un évier de cuisine, dans un sous-sol humide, près d'une piscine, ou des endroits similaires.
- Ne pas immerger le cordon ou la fiche dans l'eau.
- Garder le cordon loin des surfaces chauffées.
- Ne laissez pas le cordon pendre de la table ou du comptoir.
- Lors du nettoyage de surfaces de la porte et du four qui se réunit à la fermeture de la porte, utilisez uniquement du savon léger et non abrasif ou du détergent et une éponge ou un chiffon doux.

CONSIGNES DE SÉCURITÉ IMPORTANTES

Pour réduire le risque d'incendie dans la cavité du four:

- Ne pas trop cuire les aliments. Surveillez attentivement votre four lorsque du papier, du plastique ou d'autres matériaux combustibles sont placés à l'intérieur du four pour faciliter la cuisson.
- Retirer les attaches de sacs en papier ou en plastique avant de les placer dans le four.
- Si des matériaux à l'intérieur du four prennent feu, gardez la porte du four fermée, éteignez le four et débranchez le cordon d'alimentation ou coupez le courant du fusible ou du panneau de disjoncteurs.
- Ne pas utiliser la cavité à des fins de stockage. Ne laissez pas de produits en papier, ustensiles de cuisine, ou de la nourriture dans la cavité lorsqu'il n'est pas utilisé.
- Les liquides tels que l'eau, le café ou le thé peuvent être surchauffés au-delà du point d'ébullition sans sembler bouillir. Bullage ou ébullition visible lorsque le récipient est retiré du four à micro-ondes ne sont pas toujours présents. Cela pourrait provoquer que des liquides très chauds débordent lorsque le récipient est perturbé ou un ustensile dans le liquide



- Pour éviter ce genre de situation pour le chauffage de liquides, mettez une cuillère à café ou une tige en verre à l'intérieur du récipient.

PRÉCAUTIONS POUR ÉVITER UNE EXPOSITION AUX MICRO- ONDES

- a) Ne pas faire fonctionner ce four avec la porte ouverte, car le fonctionnement de la porte peut entraîner a une dangereuse exposition d'énergie des micro-ondes. Il est important de ne pas annuler ou de ne pas modifier les dispositifs de verrouillage de sécurité..
- b) Ne placez aucun objet entre le front de l'appareil et la porte. Ne pas laisser de souillures ou résidus du produit de nettoyage s'accumuler sur les surfaces d'étanchéité.
- c) Ne pas faire fonctionner le four s'il est endommagé. Il est particulièrement important que la porte du four ferme correctement et qu'il n'y ait pas de dommages : (1) sur la porte (tordue), (2) aux charnières et verrous (brisés ou desserrés), (3) et aux joints et surfaces d'étanchéité.
- d) Le four doit pas être réglé ou réparé uniquement par un technicien qualifié.

Pacemakers:

La plupart des pacemakers sont protégés des interférences des appareils électroniques y compris les micro-ondes. Cependant, les patients porteurs de pacemakers peuvent consulter leur médecin en cas de doute.

PRÉCAUTIONS À ÊTRE OBSERVÉES AVANT ET DURANT L'ENTRETIEN POUR ÉVITER UNE POSSIBLE EXPOSITION À UN EXCÈS D'ÉNERGIE DU MICRO ONDES

- (a) Ne pas opérer ou permettre que le four soit utilisé avec la porte ouverte
- (b) Faire les vérifications suivantes sur tous les fours à être utilisés avant d'activer le magnétron ou une autre source de micro-ondes, et faire les réparations nécessaires: opération de verrouillage, fermeture correcte de la porte, joints et surfaces d'étanchéité (l'arc électrique, revêtement, autres dommages), dommage ou relâchement de charnières et loquets, preuves de chute ou d'abus.
- (c) Avant de brancher le micro ondes pour un service de test où inspection au compartiment générateur de micro-ondes, vérifier le magnétron, guide d'ondes ou ligne de transmission et la cavité pour un propre alignement, intégrité et connexion.
- (d) Tout défaut ou dé-réglage de composants du verrouillage, moniteur, joint de la porte et les systèmes de la génération et de transmission de micro-ondes doivent être réparés, remplacés ou ajustés par les procédures décrites sur ce mode d'emploi avant que le four soit livré au propriétaire.
- (e) Une vérification des fuites des micro-ondes, pour vérifier la conformité avec les normes de performance fédérale, doit être effectuée sur chaque four à être livré au propriétaire.

Consignes de sécurité



- **Attention!** Vous devez surveiller votre four si vous utilisez du papier, du plastique ou autres matériaux inflammables. Ces matériaux peuvent être carbonisés et brûler. **RISQUE DE FEU!**
- **Attention!** Ne chauffez pas de l'alcool pur ni des boissons alcooliques. **RISQUE DE FEU!**
- **Attention!** N'utilisez pas des récipients fermés pour chauffer des liquides ou d'autres aliments, ils pourraient éclater facilement.
- **Attention!** Cet appareil n'est pas indiqué pour l'utilisation de la part de personnes (y compris les enfants) ayant des capacités physiques, sensorielles ou mentales réduites. Les utilisateurs n'ayant pas l'expérience, une connaissance suffisante de l'appareil ou n'ayant pas reçu les instructions relatives à l'appareil, devront faire l'objet d'un contrôle de supervision de la part d'une personne responsable de leur sécurité. Il est nécessaire de surveiller les enfants pour empêcher qu'ils ne jouent avec l'appareil.
- **Attention!** Si le four possède un mode de fonctionnement combiné (micro-ondes plus autres moyens de chauffage), ne laissez pas les enfants utiliser le four sans la présence d'un adulte en raison des hautes températures générées par le four.
- **Attention!** Le four ne peut pas être utilisé si:
 - La porte ne ferme pas correctement ;
 - Les gonds de la porte sont endommagés ;
 - Les surfaces de contact entre la porte et l'avant de l'appareil sont endommagées ;
 - La vitre de la porte est endommagée ;
 - Il y a fréquemment un arc électrique à l'intérieur, malgré l'absence de tout objet métallique.

Le four ne peut être réutilisé qu'après avoir été réparé par un technicien du Service d'assistance technique.

Attention!

- Ne mettez jamais ni bouchon ni couvercle ni tétine sur les récipients destinés à chauffer les aliments pour bébés. Après avoir chauffé l'aliment, remuez ou agitez bien afin de distribuer uniformément la chaleur. Vous devez vérifier la température de l'aliment avant de le donner à l'enfant. **DANGER DE BRÛLURE!**
- Pour éviter que les aliments ne chauffent trop ou ne prennent feu, il est très important, quand vous chauffez de **petites quantités d'aliments**, de ne pas sélectionner des périodes de fonctionnement trop longues, ni des niveaux de puissance trop élevés. Le pain, par exemple, peut brûler au bout de 3 m avec une puissance trop élevée.
- Utilisez la fonction Broiler seulement pour gratiner et surveillez constamment l'appareil. Si vous utilisez un mode de fonctionnement combiné pour le Broiler, prêtez attention au temps.
- N'approchez jamais les câbles d'alimentation d'autres appareils électriques de la porte chaude du four. La gaine isolante pourrait fondre. **Danger de court-circuit!**

Consignes de sécurité

Votre four est exclusivement destiné à un usage domestique !

Utilisez votre four exclusivement pour la préparation des repas.

Vous éviterez d'endommager votre four ainsi que toute autre situation dangereuse si vous respectez les indications suivantes :

- Ne mettez pas le four en fonctionnement sans le **manchon**, le **support plateau** et le **plateau rotatif**.
- **Ne mettez pas votre four en marche à vide.** Sans rien à chauffer, il peut en effet se trouver en surcharge et être endommagé. **RISQUE DE DÉTÉRIORATION!**
- **Pour effectuer des tests de programmation** du four, placez-y un verre d'eau. Celle-ci absorbera les micro-ondes et le four ne sera pas endommagé.
- N'utilisez que de la **vaisselle adéquate** pour micro-ondes. Vérifiez, avant de les utiliser dans le four, que la vaisselle et les récipients sont adaptés (voir chapitre sur le type de vaisselle).
- **Ne retirez pas le couvercle de mica situé au plafond de la cavité !** Ce couvercle évite que les graisses et particules d'aliments n'endommagent le générateur de micro-ondes.
- Ne laissez aucun **objet inflammable** dans le four, il peut brûler si vous l'allumez.
- N'utilisez pas le four comme **rangement**.
- Vous ne pouvez pas cuire **les œufs, avec ou sans coquille**, dans un four micro-ondes car ils peuvent éclater.
- N'utilisez pas le four micro-ondes pour **fire dans l'huile**, car il est impossible d'en contrôler la température sous l'action des micro-ondes.
- **Pour éviter les brûlures**, utilisez toujours des gants de cuisine pour manipuler les récipients et toucher le four.
- Ne vous appuyez pas, ne mettez aucun poids sur la porte ouverte du four. Cela pourrait endommager la zone des gonds. La porte peut supporter un poids maximum de 8 kg..

- Le plateau rotatif et les Broilères supportent une charge maximum de 8 kg. Ne dépassez pas cette charge, pour éviter des dégâts.

Nettoyage:

- **Attention!** Le four micro-ondes doit être nettoyé régulièrement, toutes les particules d'aliments doivent être retirées (voir chapitre Nettoyage du four). À défaut d'un entretien régulier du four micro-ondes, sa surface peut se détériorer, **sa vie utile peut se réduire et une situation dangereuse peut éventuellement survenir.**
- Les surfaces de contact de la porte (l'avant de la cavité et la partie intérieure de la porte) doivent être maintenues très propres pour garantir le bon fonctionnement du four.
- **N'utilisez pas de produits abrasifs ni de racloirs pointus en métal pour nettoyer la porte en verre car ils peuvent rayer sa surface, ce qui peut briser le verre.**
- **N'utilisez pas de nettoyeur vapeur pour nettoyer l'appareil.**
- S'il vous plaît, soyez attentif aux indications concernant le nettoyage, figurant au point «Nettoyage et entretien du four»

Réparation:

- **Attention – Micro-ondes ! La protection extérieure ne doit pas être retirée.** Toute réparation ou maintenance effectuée par des personnes non autorisées par le fabricant est dangereuse.
- Si le câble d'alimentation est endommagé, il doit être remplacé par le fabricant, par des agents certifiés ou des techniciens qualifiés à cet effet, de façon à éviter des situations dangereuses et parce que les outils utilisés sont spécifiques.
- Les réparations ou opérations de maintenance, en particulier des pièces sous tension, ne peuvent être réalisées que par des techniciens certifiés par le fabricant.

Les avantages des micro-ondes

Avec une cuisinière traditionnelle, la chaleur créée par les brûleurs de gaz ou par les résistances pénètre lentement de l'extérieur vers l'intérieur de l'aliment. Il y a par conséquent une grande perte d'énergie pour chauffer l'air, les composants du four et les récipients.

Dans les micro-ondes, la chaleur est générée par les aliments eux-mêmes, elle passe de l'intérieur vers l'extérieur. Il n'y a aucune perte de chaleur dans l'air, dans les parois de la cavité ni dans les récipients (s'ils sont bien adaptés aux micro-ondes), c'est-à-dire que seul l'aliment est chauffé.

En résumé, les fours micro-ondes offrent les avantages suivants :

1. Gain de temps de cuisson : réduction jusqu'à 3/4 du temps par rapport à la cuisson traditionnelle.
2. Décongélation ultrarapide des aliments, ce qui réduit le risque de produire des bactéries.
3. Économie d'énergie.
4. Le temps de cuisson étant réduit, les aliments gardent mieux leur valeur nutritive.
5. Nettoyage facile.

Mode de fonctionnement du four micro-ondes

Le four micro-ondes possède une valve à haute tension appelée magnétron, qui convertit l'énergie électrique en énergie micro-ondes. Ces ondes électromagnétiques sont canalisées vers l'intérieur du four au moyen d'un conducteur d'ondes puis distribuées par un diffuseur métallique ou au moyen d'un plateau rotatif.

À l'intérieur du four, les micro-ondes se propagent dans tous les sens et sont réfléchies par les parois métalliques. Elles pénètrent alors uniformément dans les aliments.

Comment les aliments chauffent-ils?

Tous les aliments contiennent de l'eau dont les molécules vibrent sous l'action des micro-ondes.

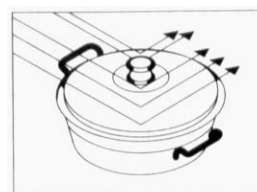
La friction entre les molécules provoque la chaleur qui élève la température des aliments. Ils peuvent être décongelés, cuits ou maintenus chauds.

Du fait que les aliments chauffent de l'intérieur :

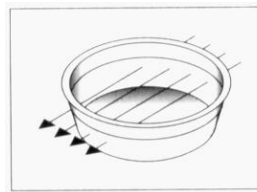
- ils peuvent être cuisinés sans liquides ni graisses, ou avec très peu ;
- décongeler, chauffer ou cuisiner est plus rapide dans un four micro-ondes que dans un four conventionnel ;
- les vitamines, sels minéraux et substances nutritives sont conservés ;
- ni la couleur naturelle ni le goût ne sont altérés.

Les micro-ondes traversent la porcelaine, le verre, le carton, le plastique, mais pas le métal. Vous ne pouvez donc pas utiliser dans le four micro-ondes de récipients métalliques, ou dont certaines parties sont en métal.

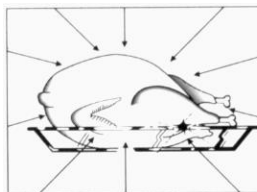
Les micro-ondes sont réfléchies par le métal...



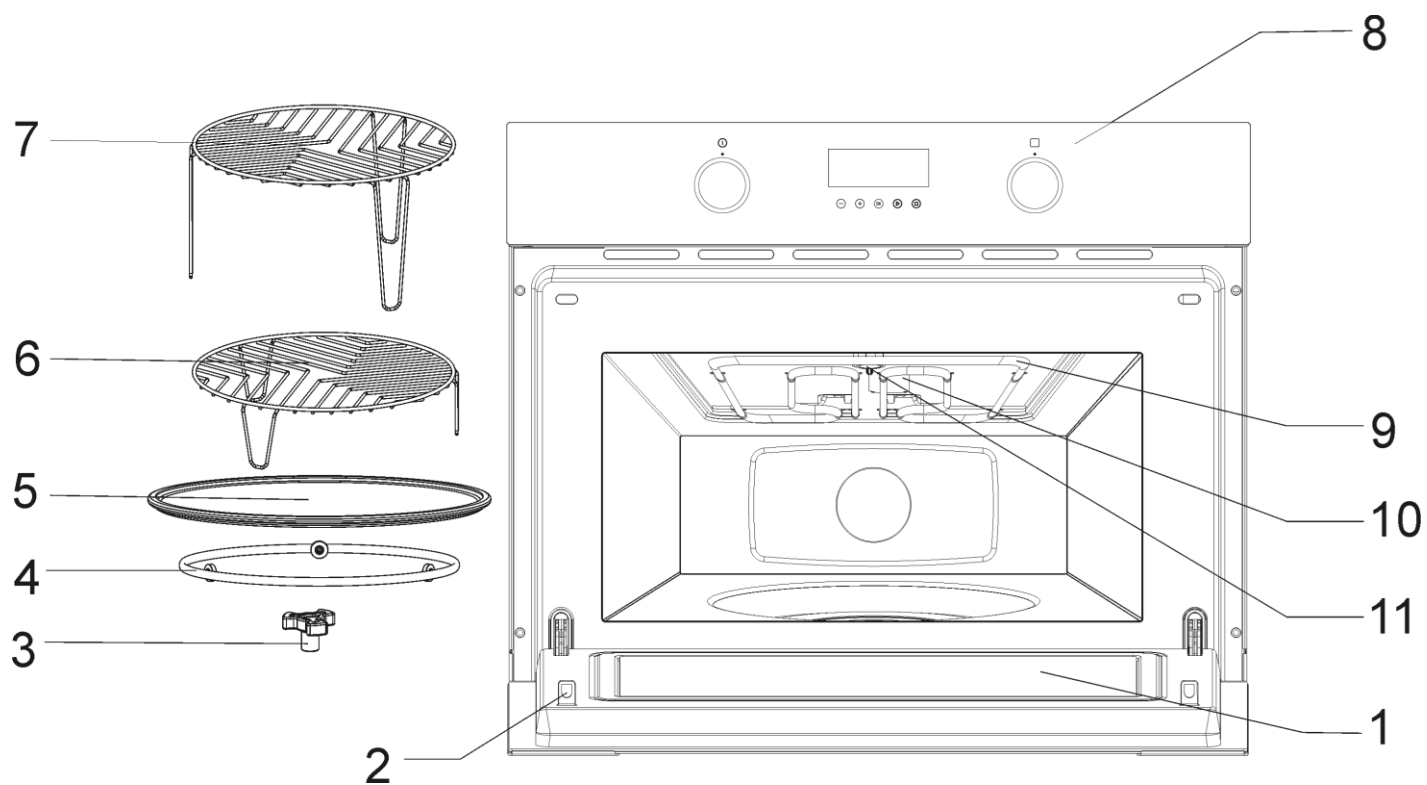
...traversent le verre et la porcelaine...



... et sont absorbées par les aliments.

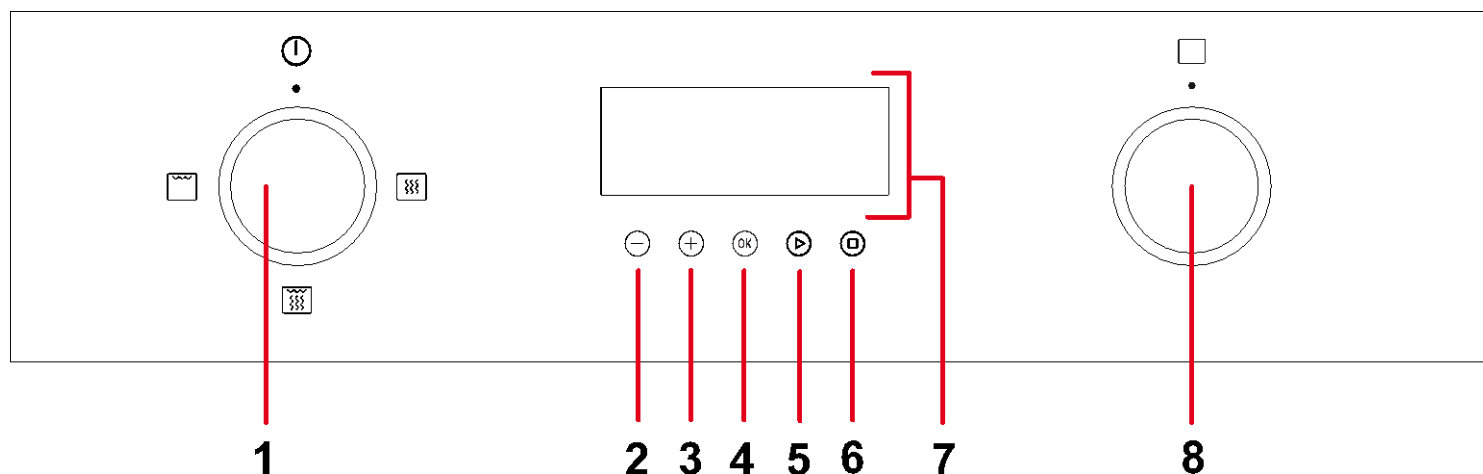


Description du four



- 1. – Vitre de la porte
- 2. – Verrou de sécurité
- 3. – Manchon du moteur
- 4. – Support du plateau
- 5. – Plateau rotatif
- 6. – Grille inférieure

- 7. – Grille supérieure
- 8. – Tableau de commandes
- 9. – Grill
- 10. – Couvercle
- 11. – Lampe






- 1. Sélecteur de fonction
- 2. Touche -
- 3. Touche +
- 4. Touche OK

- 5. Bouton Marche
- 6. Bouton Stop
- 7. Affichage
- 8. Sélecteur de puissance

Description du four

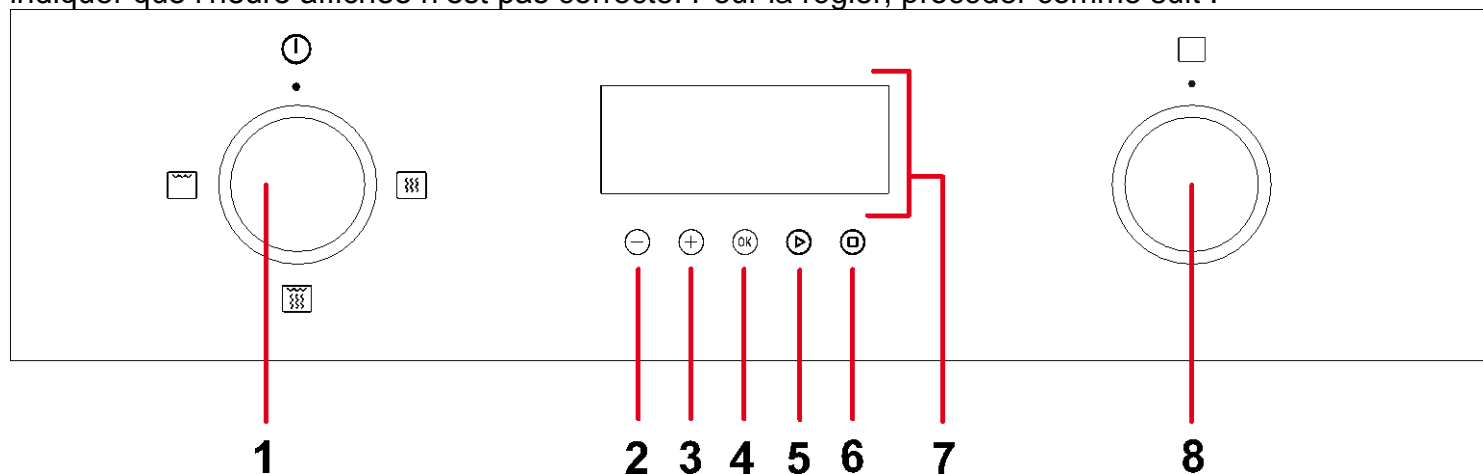
Description des fonctions

Fonction	Puissance Micro-ondes	Aliments
 Micro-ondes	150 W	Décongélation lente pour aliments délicats ; maintenir chaud
	300 W	Cuisiner à faible température ; cuire du riz Décongélation rapide
	550 W	Fondre du beurre Chauffer les aliments pour bébé
	750 W	Cuisiner légumes et aliments Cuisiner et chauffer soigneusement Chauffer et cuisiner des petites quantités Chauffer des aliments délicats
	1000 W	Cuisiner et chauffer rapidement des liquides et des aliments préparés
 Micro-ondes + Gril	150 W	Gratiner des toasts
	300 W	Griller volailles et viande
	550 W	Cuisiner tourtes et gratins
	750 W	Utilisez avec précaution : l'aliment peut brûler
	1000 W	Utilisez avec précaution : l'aliment peut brûler
 Gril	---	Griller des aliments

Réglages de base

Réglage de l'horloge

Après le raccordement du four sur le secteur ou après une coupure d'électricité, l'horloge clignote pour indiquer que l'heure affichée n'est pas correcte. Pour la régler, procéder comme suit :

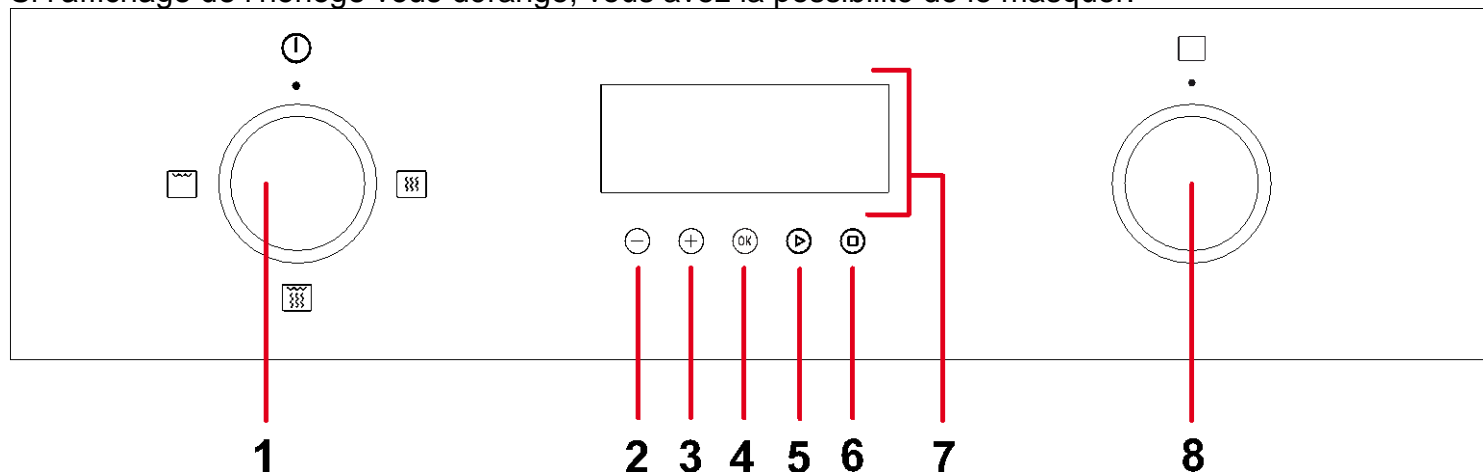


1. Appuyez en continu sur le bouton “+” jusqu’à ce que l’indicateur lumineux de l’horloge commence à clignoter.
2. Appuyez sur le bouton **OK**.
3. Appuyez sur les boutons “+” et “-” pour régler les chiffres de l’heure.

4. Appuyez sur le bouton **OK** pour valider l’heure sélectionnée. Les chiffres des minutes vont se mettre à clignoter.
5. Appuyez sur les boutons “+ ” et “-” pour régler les chiffres des minutes.
6. Pour terminer appuyez encore une fois sur le Bouton **OK**.

Masquer/Afficher l'horloge

Si l’affichage de l’horloge vous dérange, vous avez la possibilité de le masquer.



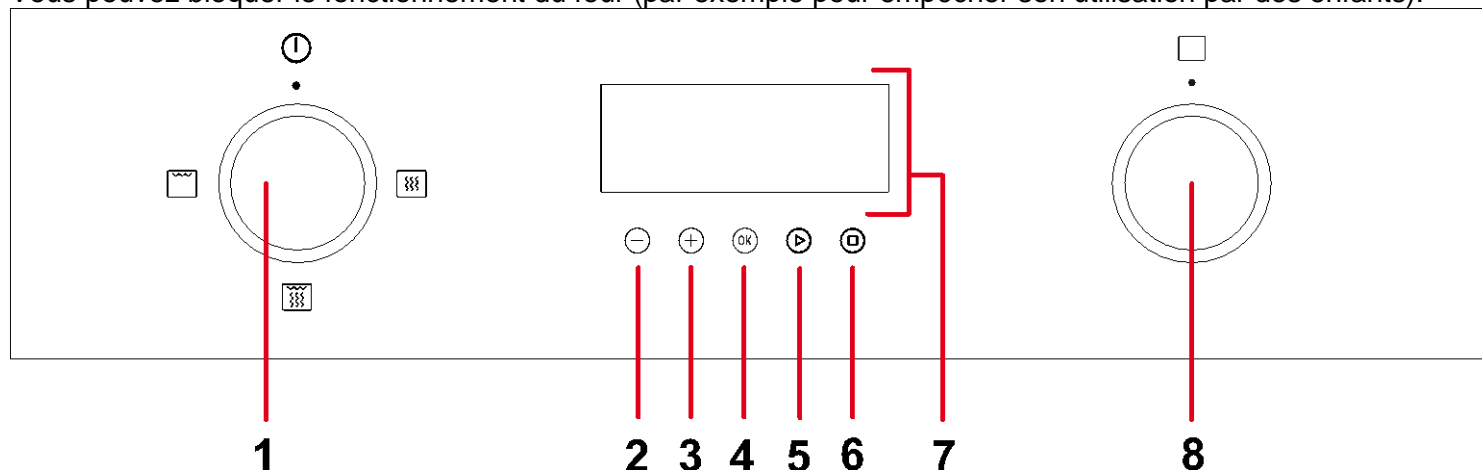
1. Appuyez en même temps sur les boutons “+” (4) et “-” pendant 5 secondes. Les points qui séparent les heures et les minutes vont clignoter mais le reste de l’affichage de l’horloge sera masqué.

2. Si vous voulez afficher de nouveau l’horloge, appuyez à nouveau en même temps sur “+” et “-” pendant 5 secondes.

Réglages de base

Sécurité enfants

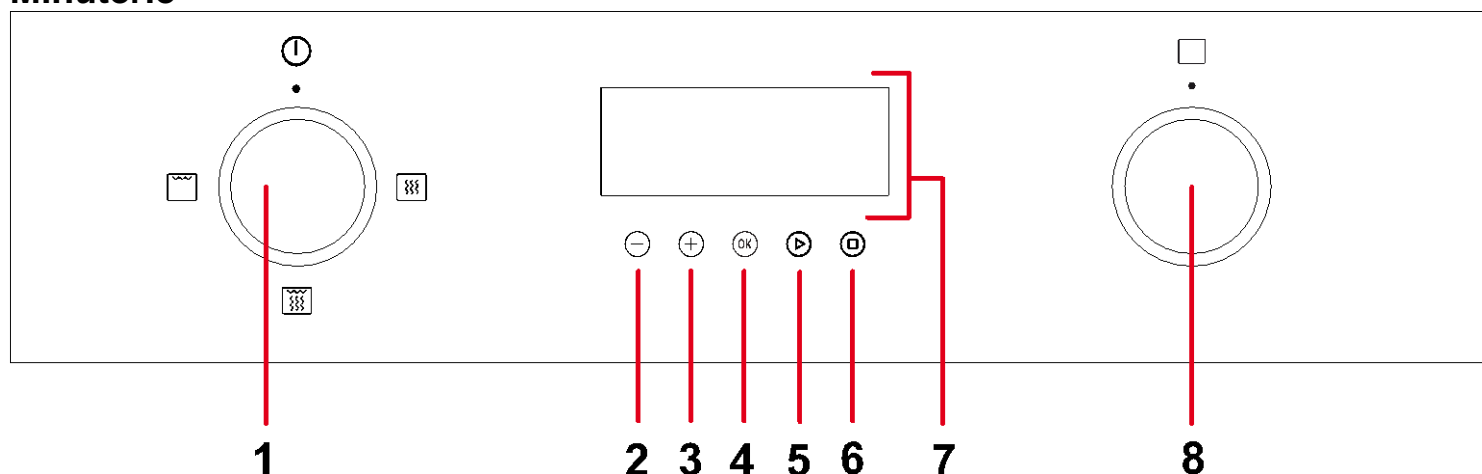
Vous pouvez bloquer le fonctionnement du four (par exemple pour empêcher son utilisation par des enfants).



1. Pour bloquer le four, appuyez sur le bouton **Stop** pendant 3-5 secondes. Si vous appuyez sur un bouton, un symbole de clé va s'afficher et le four ne fonctionnera pas.

2. Pour débloquer le four appuyer à nouveau sur le bouton **Stop** pendant 3-5 secondes.

Minuterie



1. Appuyez sur le bouton « + » jusqu'à ce que le voyant du **minuteur** clignote.
2. Appuyez sur le bouton **Marche**.
3. Les chiffres clignotent. Appuyez sur les boutons « + » et « - » pour régler le temps souhaité.
4. Appuyez sur le bouton **Marche**. Le minuteur décomptera jusqu'à zéro et à la fin du temps

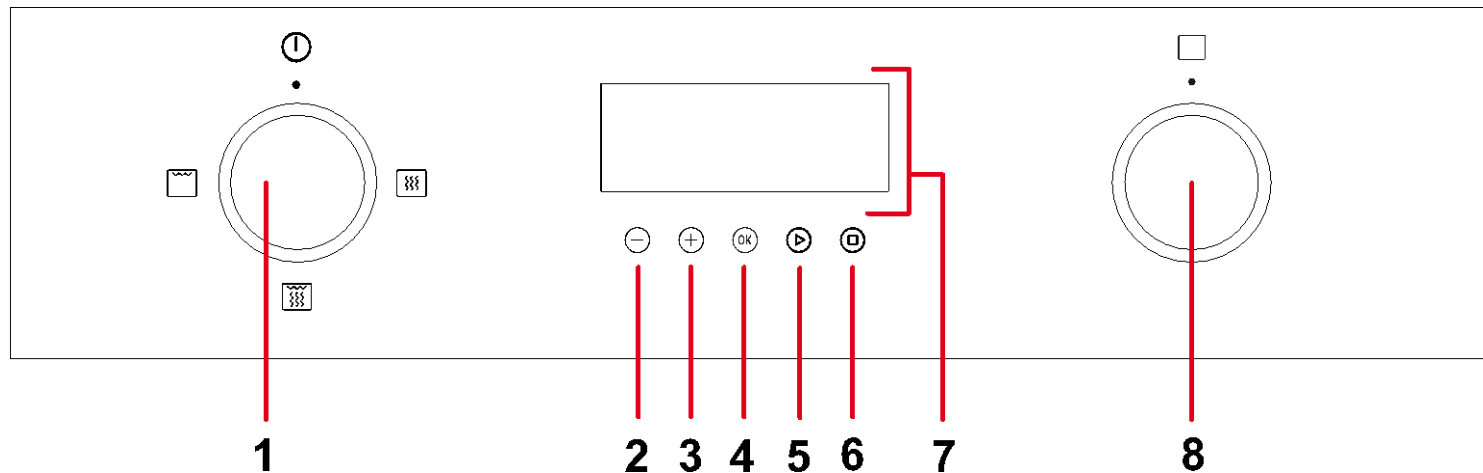
sélectionné, le four émettra 3 bips toutes les 30 secondes jusqu'à ce que le bouton **Stop** soit pressé.


Pour annuler la fonction active du minuteur, répétez les étapes ci-dessus mais en réglant le temps sur zéro.

Fonctions de base

Micro-ondes

Utiliser cette fonction pour cuire et réchauffer des légumes, des pommes de terre, du riz, du poisson et de la viande.

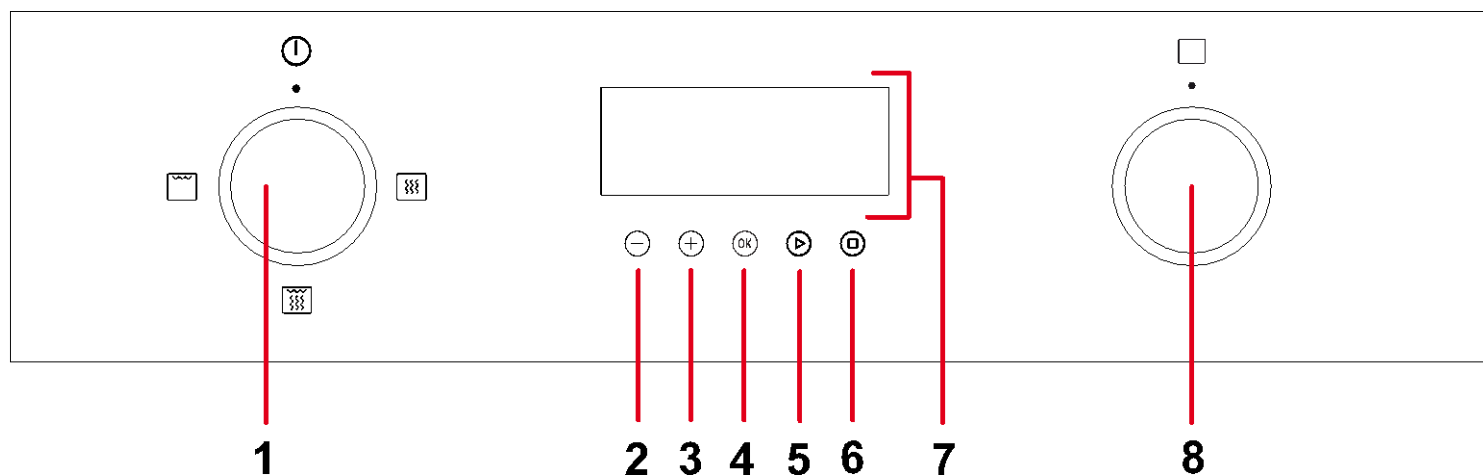



1. Tourner le sélecteur de fonction jusqu'à la position Micro-ondes . L'indicateur de sélection de temps et l'affichage (les chiffres) clignotent (voir photo)
2. Appuyer sur les touches « - » et « + » pour obtenir le temps souhaité.

3. Régler la puissance souhaitée à l'aide du sélecteur de puissance de micro-ondes (voir Caractéristiques techniques).
4. Appuyer sur le bouton Marche. La cuisson commence.

Grill

Utiliser cette fonction pour dorer rapidement la surface des aliments.



1. Tourner le sélecteur de fonction jusqu'à la position Grill .
2. Appuyer sur les touches « - » et « + » pour obtenir le temps souhaité.

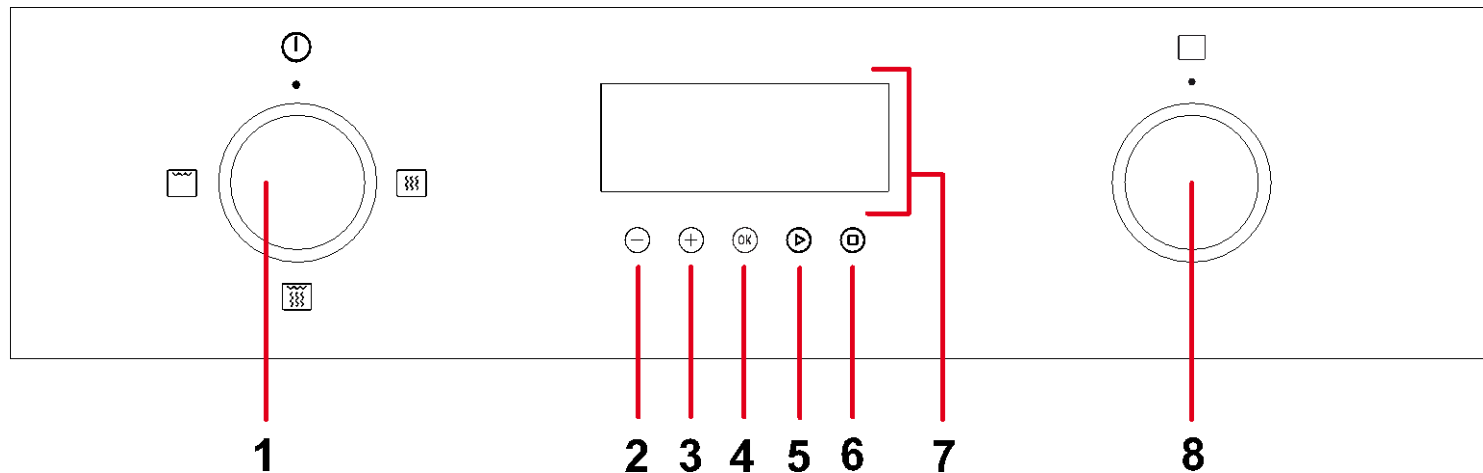
3. Appuyer sur le bouton Marche. La cuisson commence.


Remarque : La position du sélecteur de puissance n'influence en rien le fonctionnement du four.

Fonctions de base

Micro-ondes + grill

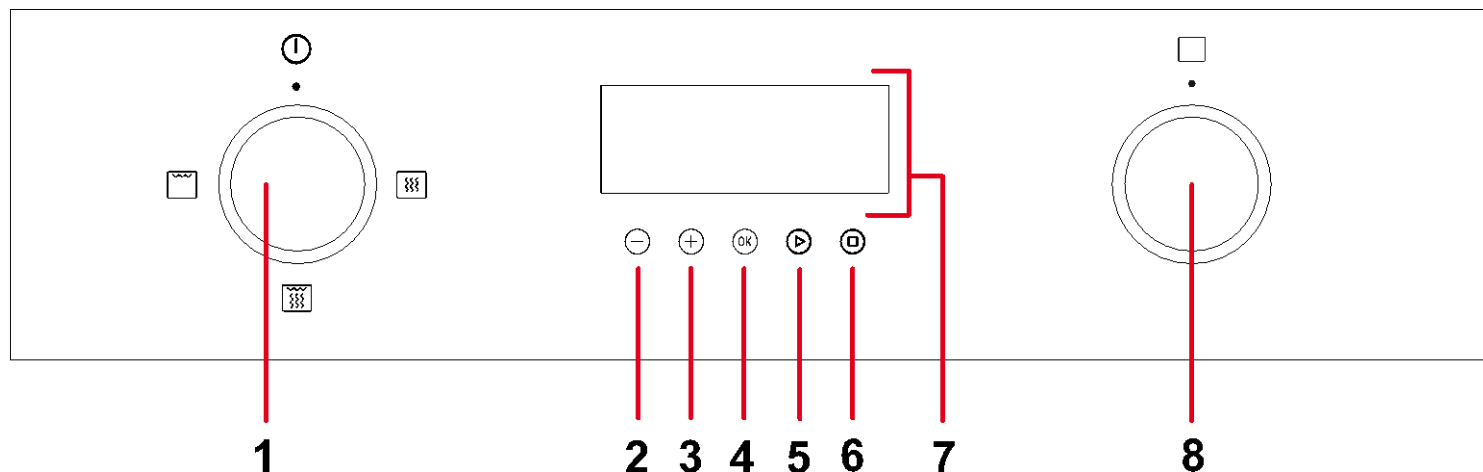
Utiliser cette fonction pour réchauffer des lasagnes, de la volaille, des pommes de terre sautées et des gratins.



1. Tourner le sélecteur de fonction jusqu'à la position Micro-ondes + Grill . L'indicateur de sélection de temps et l'affichage (les chiffres) clignotent (voir photo)
2. Appuyer sur les touches « - » et « + » pour obtenir le temps souhaité.
3. Régler la puissance souhaitée à l'aide du sélecteur de puissance de micro-ondes (voir Caractéristiques techniques).
4. Appuyer sur le bouton Marche. La cuisson commence.

Lancement rapide

Cette fonction peut être utilisée conjointement à toutes les autres fonctions de base (Micro-ondes, Grill, Micro-ondes + grill).



1. En mode veille (sélecteur de fonction dans n'importe quelle position: micro-ondes, grill ou micro-ondes + grill) appuyer sur le bouton Marche. Le four se met en marche pendant 30 secondes.
2. Pour augmenter le temps de fonctionnement appuyer de nouveau sur le bouton Marche. Chaque fois que vous appuyez sur ce bouton le temps augmente 30 secondes.

Pendant le fonctionnement...

Interruption d'une cuisson

Vous pouvez interrompre le fonctionnement du four à tout instant en appuyant une fois sur le bouton **Stop** ou en ouvrant la porte du four.

Dans ces deux cas :

- **L'émission de micro-ondes cesse immédiatement.**
- Le gril est désactivé mais **garde une température très élevée. Danger de brûlure !**
- Le temporisateur s'arrête et indique le temps de fonctionnement restant.

Vous pouvez alors :

1. Remuer ou retourner les aliments, pour obtenir une cuisson uniforme.
2. Modifier les paramètres de la cuisson.

Pour reprendre la cuisson, fermez la porte et appuyer sur la touche **Start**

Modification des paramètres

Les paramètres de fonctionnement

- durée (avec les boutons « - » et « + »)
- fonction (avec le sélecteur de fonction)
- puissance (avec le sélecteur de puissance)

peuvent être modifiés pendant le fonctionnement ou l'arrêt du processus de cuisson, il suffira pour cela de positionner le bouton sur de nouvelles valeurs.

Annuler une cuisson

Pour arrêter une cuisson, appuyer deux fois de suite sur le bouton **Stop**.

Fin d'une cuisson

À la fin de la cuisson, un signal sonore est émis et l'écran affiche « **End** ».

Décongélation

Indications générales pour la décongélation

1. Pour décongeler, utilisez uniquement de la vaisselle adaptée aux micro-ondes (porcelaine, verre, plastique approprié).
2. La fonction Décongélation en fonction du poids et les tableaux correspondants concernent les aliments crus.
3. Le temps de décongélation dépend de la quantité et de la hauteur de l'aliment. Quand vous congelez des aliments, pensez déjà à leur décongélation. Répartir l'aliment en morceaux de hauteur égale à celle du récipient.
4. Répartir le mieux possible l'aliment à l'intérieur du four. Les parties les plus grosses du poisson ou des cuisses de poulet doivent être tournées vers l'extérieur. Vous pouvez protéger les parties les plus délicates avec une feuille d'aluminium. **Important** : la feuille d'aluminium ne doit pas entrer en contact avec les parois de la cavité, car elle peut provoquer un arc électrique.
5. Les morceaux les plus denses doivent être retournés plusieurs fois.
6. Distribuez l'aliment congelé de la façon la plus uniforme possible, les parties les plus étroites et fines décongelant plus rapidement que les parties grosses et hautes.
7. Les aliments riches en graisse comme le beurre et la crème fraîche ne doivent pas être complètement décongelés. S'ils sont à température ambiante, ils seront prêts à être servis en peu de temps. La crème congelée doit être remuée avant son utilisation.
8. Mettez les volailles dans un plat creux pour que le jus de la viande s'écoule plus facilement.
9. Le pain doit être enveloppé dans une serviette de table pour ne pas trop sécher.
10. Tourner la nourriture dans des intervalles réguliers.
11. Retirez l'emballage de l'aliment congelé sans oublier d'enlever les agrafes, le cas échéant. Pour les récipients destinés à conserver les aliments dans le congélateur et que vous pouvez également utiliser dans le four, retirez seulement le couvercle. Dans les autres cas, mettez les aliments dans des récipients adaptés au micro-ondes.
12. Vous devez enlever et jeter le liquide résultant de la décongélation, principalement des volailles. Il ne doit en aucun cas entrer en contact avec les autres aliments.
13. Remarquez bien qu'un temps de repos est nécessaire, dans la fonction Décongélation, pour que l'aliment soit complètement décongelé.

Décongélation

Pour décongeler des aliments il est conseillé de sélectionner la fonction micro-ondes avec un des niveaux de puissance suivant:

Niveau de puissance	Puissance
Décongélation/ Maintien au chaud	150 W
Décongélation	300 W

Le tableau ci-dessous présente, d'une manière générale, les différents temps pour la décongélation et pour le repos (de façon à ce que l'aliment soit uniformément réchauffé) en fonction du type et du poids des aliments, et aussi les respectives recommandations.

Aliment	Poids (OZ)	Temps de décongélation (m)	Temps de repos (m)	Observation
Morceaux de viande, porc, veau, bœuf	4	2-3	5-10	Retournez 1 fois
	7	4-5	5-10	Retournez 1 fois
	17-18	10-12	10-15	Retournez 2 fois
	35-36	21-23	20-30	Retournez 2 fois
	51-53	32-34	20-30	Retournez 2 fois
	70-71	43-45	25-35	Retournez 2 fois
Viande à l'étouffée	17-18	8-10	10-15	Retournez 2 fois
	35-36	17-19	20-30	Retournez 2 fois
Viande hachée	4	2-4	10-15	Retournez 1 fois
	17-18	10-14	20-30	Retournez 2 fois
Saucisse	7	4-6	10-15	Retournez 1 fois
	17-18	9-12	15-20	Retournez 2 fois
Volailles, morceaux	8-9	5-6	5-10	Retournez 1 fois
Poulet	35-36	20-24	20-30	Retournez 2 fois
Poularde	90	38-42	25-35	Retournez 2 fois
Filets de poisson	7	4-5	5-10	Retournez 1 fois
Truite	8-9	5-6	5-10	Retournez 1 fois
Crevettes	4	2-3	5-10	Retournez 1 fois
	17-18	8-11	15-20	Retournez 2 fois
Fruit	7	4-5	5-10	Retournez 1 fois
	10-11	8-9	5-10	Retournez 1 fois
	17-18	11-14	10-20	Retournez 2 fois
Pain	17-18	4-5	5-10	Retournez 1 fois
	17-18	10-12	10-15	Retournez 1 fois
	28-29	15-17	10-20	Retournez 2 fois
Beurre	8-9	8-10	10-15	
Tomme	8-9	6-8	10-15	
Crème fraîche	8-9	7-8	10-15	

Cuisiner aux micro-ondes

Attention ! Lisez attentivement le chapitre « Indications de sécurité » avant de cuisiner avec votre micro-ondes.

Quand vous cuisinez avec le micro-ondes, suivez les recommandations suivantes :

- Avant de chauffer ou de cuisiner des aliments ayant une **peau** ou une enveloppe (saucisses, pommes de terre, tomates, pommes), **percez-les** avec une fourchette pour qu'ils n'éclatent pas à la cuisson. Coupez l'aliment avant de le préparer.
- Vérifiez que votre récipient est adapté aux micro-ondes avant de l'utiliser (voir chapitre : « Quel type de vaisselle utiliser ? »).
- Certains aliments contiennent peu d'eau et son évaporation rapide dans le four peut faire que ce dernier travaille à vide. L'aliment peut alors carboniser (par exemple en **décongelant du pain** ou en faisant des **pop-corns**). Le four et la vaisselle peuvent être endommagés. Le mieux est de surveiller la cuisson et d'éviter tout dépassement du temps nécessaire.
- Il n'est pas possible de chauffer une grande quantité d'huile (**frire**) dans le micro-ondes.
- Retirez les emballages des **plats préparés** car ils ne sont pas toujours résistants à la chaleur. Suivez les instructions données par le fabricant
- **Si vous placez des récipients différents**, par exemple des tasses, disposez-les uniformément sur le plateau rotatif.
- Ne fermez pas les sacs plastique avec des pinces en métal. Choisissez-les en plastique. Percez le sac en plusieurs endroits pour que la vapeur puisse s'échapper.
- Assurez-vous que les aliments que vous chauffez ou que vous cuisinez atteignent une **température de 70°C**.
- Pendant la cuisson, il est possible que de la **vapeur d'eau** se condense sur la vitre de la porte et que des gouttes s'écoulent. C'est une situation normale, surtout quand la température ambiante est basse. La sécurité du four n'est pas en cause. Après l'utilisation, essuyez l'eau de condensation.

- Pour chauffer des liquides, utilisez des **récipients avec une grande ouverture**, pour mieux évacuer la vapeur.

Préparez les aliments en suivant les indications et restez vigilant avec les temps de cuisson et les niveaux de puissance qui sont indiqués dans les tableaux.

Les chiffres sont donnés à titre d'indication. Ils peuvent changer en fonction de l'état initial, de la température, de l'humidité et du type d'aliment. Nous vous conseillons d'ajuster les temps et les niveaux de puissance à chaque situation. Selon l'aliment, il faudra allonger ou raccourcir le temps de cuisson, ou bien monter ou baisser le niveau de puissance.

Cuisiner avec les micro-ondes...

1. Plus grande est la quantité des aliments, plus longue est la durée de la cuisson. Remarque :

- Double quantité ⇒ double du temps
- Moitié de la quantité ⇒ moitié du temps

2. Plus basse est la température, plus long est le temps de cuisson.

3. Les aliments liquides se réchauffent plus rapidement.

4. Une bonne répartition des aliments sur le plateau rotatif facilite une cuisson uniforme. Si vous chauffez en même temps des aliments différents, placez ceux qui sont moins denses au centre du plateau et les plus denses vers l'extérieur du plateau.

5. La porte du four peut être ouverte à tout moment. Le four s'éteint alors automatiquement. Pour le remettre en fonctionnement, fermez la porte et appuyez sur la touche START.

6. Quand ils sont couverts, les aliments cuisent plus rapidement et leurs qualités sont mieux préservées. Les micro-ondes doivent pouvoir traverser le couvercle qui doit avoir de petits orifices pour laisser passer la vapeur d'eau.

Cuisiner aux micro-ondes

Tableaux et suggestions – Cuisiner les légumes

Aliment	Quantité (g)	Addition de liquides	Puissance (Watt)	Temps (m)	Temps de repos (m)	Indications
Chou-fleur	500	100 ml	750	9-11	2-3	Diviser en branches
Brocoli	300	50 ml	750	6-8	2-3	Couper en tranches
Champignons	250	25 ml	750	6-8	2-3	Retourner 1 x, couvrir
Petits pois-carottes, carottes surgelées	300	100 ml	750	7-9	2-3	Couper en dés ou en rondelles. Couvrir
	250	25 ml	750	8-10	2-3	Retourner 1 x
Pommes de terre						
	250	25 ml	750	5-7	2-3	Éplucher et couper en morceaux de même taille. Couvrir, retourner 1 x
Poivrons	250	25 ml	750	5-7	2-3	Couper en morceaux ou en rondelles. Couvrir, retourner 1 x
Poireaux	250	50 ml	750	5-7	2-3	
Chou de Bruxelles surgelé	300	50 ml	750	6-8	2-3	Couvrir, retourner 1 x
Choucroute	250	25 ml	750	8-10	2-3	Couvrir, retourner 1 x

Tableaux et suggestions – Cuisiner le poisson

Aliment	Quantité (g)	Puissance (Watt)	Temps (m)	Temps de repos (m)	Indications
Filets de poisson	500	550	10-12	3	Couvrir. Retourner quand la moitié du temps est écoulée.
Poisson entier	800	750	2-3	2-3	Couvrir. Retourner quand la moitié du temps est écoulée. Éventuellement, couvrir les extrémités fines du poisson.
		300	7-9		

Cuisiner au grill

Pour obtenir de bons résultats avec le grill, utilisez la grille fournie avec le four.

Positionnez la grille de façon à ce qu'elle n'entre pas en contact avec les surfaces métalliques de la cavité, ce qui provoquerait un arc électrique et pourrait détériorer le four.

INDICATIONS IMPORTANTES :

1. Lors de la première utilisation du grill, un peu de fumée odorante peut se dégager. Elle résulte de l'emploi d'huiles pendant le processus de fabrication.
2. La vitre de la porte atteint des températures très élevées quand le grill est utilisé. **Ne laissez pas les enfants s'approcher.**
3. Nous vous conseillons de porter des gants de cuisine car la grille et les parois de la cavité atteignent des températures très élevées.

4. Le thermostat de sécurité fait que les résistances s'éteignent temporairement lors d'une utilisation prolongée du grill.
5. Important ! Vous devez vérifier que les récipients que vous utilisez quand vous cuisinez ou faites griller des aliments sont bien adaptés au micro-ondes. Voir le chapitre sur le type de vaisselle !
6. Quand vous utilisez le grill, des éclaboussures de graisse peuvent atteindre la résistance et être brûlées. C'est une situation normale qui ne représente aucun problème de fonctionnement.
7. Nettoyez l'intérieur et les accessoires après chaque cuisson, pour que les saletés ne s'incrustent pas.

Tableaux et suggestions – Grill sans micro-ondes

Aliment	Quantité (g)	Temps (m)	Indications
Poisson			
Dorade	800	18-24	Beurrez légèrement. Quand la moitié du temps est écoulée, retournez et ajoutez les condiments.
Sardine/ rascasse rouge	6-8 unités	15-20	
Viande			
Saucisse	6-8 unités	22-26	Piquer et retourner à la moitié du temps.
Hamburger congelé	3 unités	18-20	Retourner 2 x 3
Entrecôte (environ 3 cm d'épaisseur)	400	25-30	Badigeonner d'huile, retourner à la moitié du temps
Autres			
Toasts	4 unités	1½-3	Vérifier que les toasts grillent, retourner
Gratiner des sandwichs	2 unités	5-10	Vérifier que les sandwichs gratinent.

Préchauffez le grill pendant 2 minutes. Sauf indication contraire, utilisez la grille. Placez la grille sur un récipient dans lequel l'eau et la graisse puissent couler.

Les temps sont mentionnés à titre d'indication car ils peuvent varier en fonction de la composition des aliments, de leur quantité et de la cuisson demandée. Le poisson et la viande prennent un goût délicieux si, avant de les griller, vous les badigeonnez d'huile végétale, épices et herbes

aromatiques, et si vous les laissez mariner quelques heures. Ne salez qu'après la grillade.

Les saucisses n'éclatent pas si vous les percez préalablement avec une fourchette.

Au milieu du temps de fonctionnement, contrôlez la cuisson, remuez ou retournez si nécessaire.

Le grill est spécialement adapté pour la cuisson de la viande en morceaux et du poisson en filets. Les morceaux fins de viande peuvent être retournés une seule fois, les plus gros plusieurs fois.

Cuisiner au gril

Tableaux et suggestions – Micro-ondes + Gril

La fonction Micro-ondes avec Gril est idéale pour cuisiner rapidement et dorer en même temps les aliments. Vous pouvez également les gratiner.

Les micro-ondes et le gril fonctionnent simultanément. Les micro-ondes cuisent et le gril gratine.

Plat	Quantité (g)	Vaisselle	Puissance (Watt)	Temps (m)	Temps de repos (m)
Pâtes gratinées	500	Récipient bas	300	12-17	3-5
Pommes de terres gratinées	800	Récipient bas	550	20-22	3-5
Lasagne	environ 800	Récipient bas	550	15-20	3-5
Tarte au fromage blanc	environ 500	Récipient bas	300	18-20	3-5
2 cuisses de poulet, frais (sur la grille)	200 chaque	Récipient bas	300	10-15	3-5
Poulet	environ 1000	Récipient bas et large	300	35-40	3-5
Soupe à l'oignon gratiné	2 tasses de 200	Bol de soupe	300	2-4	3-5

Avant d'utiliser de la vaisselle et des récipients dans le micro-ondes, vérifiez qu'ils y sont bien adaptés. Utilisez seulement de la vaisselle adaptée aux micro-ondes.

La vaisselle utilisée pour la fonction combinée doit être adaptée aux micro-ondes et au gril. Voir le chapitre sur le type de vaisselle !

Remarquez que les valeurs sont mentionnées à titre indicatif et qu'elles peuvent varier en fonction du temps initial, de la température, de l'humidité et du type d'aliment.

Si l'aliment n'est pas assez doré, mettez-le 5 ou 10 minutes de plus en fonction Gril.

Faites attention aux temps de repos et retournez les morceaux de volaille.

Sauf indications contraires, utilisez le plateau rotatif pour cuisiner.

Les valeurs indiquées dans les tableaux sont valables pour une cavité du four à froid (il n'est nécessaire de préchauffer).

Quel type de vaisselle pouvez-vous utiliser?

Fonction Micro-ondes

Ne pas oublier que les micro-ondes sont réfléchies par les surfaces métalliques. Le verre, la porcelaine, la terre cuite, le plastique et le papier laissent passer les micro-ondes.

Les récipients ou la vaisselle en métal, ou ayant des parties ou des décorations métalliques, ne doivent donc pas être utilisés dans le micro-ondes. Le verre et la terre cuite avec des **décorations ou des parties métalliques** (comme le cristal de plomb) ne doivent pas être utilisés.

L'**idéal** pour cuisiner au four micro-ondes est d'utiliser le verre, la porcelaine ou la terre cuite réfractaires, et le plastique résistant à la chaleur. Le verre et la porcelaine très fins et fragiles doivent être utilisés, peu de temps, pour décongeler ou chauffer des aliments déjà confectionnés.

La vaisselle peut être très chaude car les aliments chauds lui transmettent leur chaleur. Vous devez donc toujours utiliser un **gant de cuisine !**

Testez la vaisselle

Placez la vaisselle dans le four. Si au bout de 20 secondes à la puissance maximum elle ressort froide ou tiède, alors vous pourrez l'utiliser. Elle n'est pas adaptée si elle a beaucoup chauffé ou provoqué un arc électrique.

Fonction Gril

En fonction Gril, la vaisselle doit résister à des températures de 300°C. N'utilisez pas de vaisselle en plastique.

Fonction Micro-ondes + Gril

En fonction Micro-ondes + Gril, la vaisselle doit être adaptée autant aux micro-ondes qu'au gril.

Récipients et papier aluminium

Vous pouvez utiliser des récipients en aluminium ou du papier aluminium dans le four, si vous suivez les consignes suivantes:

- Suivez les recommandations du fabricant figurant sur l'emballage.
- Ces récipients en aluminium ne doivent pas avoir une hauteur supérieure à 3 cm ni entrer en contact avec les parois de la cavité (**distance minimum de 3 cm**). Le couvercle en aluminium doit être retiré.
- Mettez le récipient en aluminium directement sur le plateau rotatif. Si vous utilisez la grille, placez le récipient sur un plateau en porcelaine. Ne posez jamais le récipient directement sur la grille !
- Le temps de cuisson est plus long car les micro-ondes entrent dans les aliments seulement par le dessus. Dans le doute, n'utilisez que de la vaisselle adaptée aux micro-ondes.
- Le papier aluminium peut être utilisé pour réfléchir les micro-ondes pendant la décongélation. Les aliments délicats, tels la volaille ou la viande hachée, peuvent être protégés d'un excès de chaleur en recouvrant leurs extrémités de papier aluminium.
- **Important** : le papier aluminium ne doit pas entrer en contact avec les parois de la cavité, cela provoquerait un arc électrique.

Couvercles

Nous vous recommandons d'utiliser des couvercles en verre, en plastique, ou une pellicule adhérente, car ainsi :

1. Vous empêchez une évaporation excessive (principalement pour les cuissons très longues) ;
2. La cuisson est plus rapide ;
3. Les aliments cuits ne sont pas secs ;
4. Le goût est mieux préservé.

Le couvercle doit être percé d'orifices pour éviter toute formation de pression. Les sacs en plastique doivent également avoir des ouvertures. Les biberons, les petits pots pour les bébés et tous les récipients équivalents doivent être chauffés sans couvercle, sinon ils pourraient éclater.

Quel type de vaisselle pouvez-vous utiliser?

Tableau – Vaisselle

Le tableau suivant vous indique de manière générale quel type de vaisselle est adapté à chaque situation.

Mode de fonctionnement Type vaisselle	Micro-ondes		Gril	Micro-ondes + Gril
	Décongeler / réchauffer	Cuisiner		
Verre et porcelaine 1) Vaisselle non résistante au feu, peut être lavée au lave-vaisselle	oui	oui	non	non
Céramique vitrée Verre et porcelaine résistant au feu	oui	oui	oui	oui
Céramique, vaisselle en grès 2) Avec ou sans verre, sans décorations métalliques	oui	oui	non	non
Vaisselle en terre cuite 2) Avec du verre Sans verre	oui non	oui non	non non	non non
Vaisselle en plastique 2) Résistant à une chaleur de 100°C Résistant à une chaleur de 250°C	oui oui	non oui	non non	non non
Films plastique 3) Film plastique pour aliments Cellophane	non oui	non oui	non non	non non
Papier, carton, parchemin 4)	oui	non	non	non
Métal Papier aluminium Emballages en aluminium 5) Accessoires	oui non oui	non oui oui	oui oui oui	non oui oui

1. Sans rebord doré ou argenté et sans cristal de plomb.

2. Suivez les indications du fabricant !

3. Ne pas utiliser d'agrafes en métal pour fermer les sacs. Perforez les sacs. Utilisez les films plastique uniquement pour recouvrir.

4. N'utilisez pas d'assiettes en papier ou carton.

5. Utilisez uniquement des emballages en aluminium peu profonds et sans couvercle. L'aluminium ne doit pas entrer en contact avec les parois de la cavité.

Nettoyage et entretien du four

Le nettoyage est l'unique entretien normalement nécessaire.

Attention ! Le four micro-ondes doit être nettoyé régulièrement, les éclaboussures et petites particules doivent être enlevées. Si vous ne la nettoyez pas régulièrement, la surface du four peut se détériorer, **la vie utile du four sera réduite et une situation dangereuse peut éventuellement apparaître.**

Attention ! Le nettoyage doit être effectué quand le four est débranché de l'alimentation électrique. Retirez la prise du mur ou débranchez le circuit d'alimentation du four.

N'utilisez pas de produits de nettoyage agressifs ou abrasifs, ni frottoirs qui peuvent rayer les parois, ni objets pointus.

N'utilisez pas d'appareils de nettoyage à haute pression ou qui projettent de la vapeur.

Surface avant

Un chiffon humide suffit pour nettoyer le four. S'il est très sale, ajoutez quelques gouttes de produit vaisselle dans l'eau pour humidifier le chiffon. Pour finir, essuyez tout le four avec un chiffon sec.

Pour les fours dont le devant est en aluminium, utilisez un produit doux pour les vitres et un chiffon doux ne laissant pas de fibres. Nettoyez horizontalement sans exercer de pression sur la surface.

Retirez immédiatement les taches de calcaire, graisse, amidon, blanc d'œufs. Elles peuvent provoquer de la corrosion.

Évitez que de l'eau entre dans le four.

Intérieur du four

Après chaque utilisation, nettoyez les parois intérieures avec un chiffon humide. Il est ainsi plus facile d'enlever éclaboussures et particules.

Pour les saletés les plus difficiles à enlever, utilisez un produit de nettoyage non agressif. **N'utilisez pas de sprays pour four ni d'autres produits de nettoyage agressifs ou abrasifs.**

La porte et le devant du four doivent toujours être bien propres pour assurer un fonctionnement correct.

Évitez que de l'eau entre dans les orifices de ventilation du micro-ondes.

Enlevez régulièrement le plateau rotatif et son support pour nettoyer la base de la cavité, en particulier quand des liquides ont débordé.

N'allumez pas le four sans le plateau rotatif et son support.

Si la cavité du four est très sale, placez un verre d'eau sur le plateau rotatif et faites fonctionner le four micro-ondes pendant 2 ou 3 minutes à la puissance maximum. La vapeur ainsi libérée va ramollir les saletés qui seront plus faciles à nettoyer avec un chiffon doux.

Les odeurs désagréables (comme après la cuisson d'un poisson) peuvent être facilement éliminées. Ajoutez quelques gouttes de jus de citron ou de vinaigre dans une tasse d'eau. Mettez une petite cuillère dans la tasse pour éviter une ébullition après coup. Chauffez à la puissance maximum pendant 2 à 3 minutes.

Nettoyage et entretien du four

Plafond du four

Quand le plafond du four est sale, le gril peut être abaissé pour en faciliter le nettoyage.

Attendez que le gril ait refroidi avant de l'abaisser, pour éviter tout danger de brûlure.

Procédez comme suit :

1. Faites tourner le support du gril de 180° (1).
2. Abaissez doucement le gril (2). **Ne forcez pas excessivement, vous pourriez l'endommager.**
3. Quand le plafond est nettoyé, remettez le gril (2) à sa place, puis bloquez-le avec son support en le faisant pivoter de 90°.

AVIS IMPORTANT : si le support du grill (1) tombe lorsque vous le faites pivoter, remplacez-le (1) dans l'orifice du plafond et faites-le pivoter de 90° jusqu'à sa position de support du grill (2).

Le couvercle en mica (3) situé dans le plafond doit toujours être propre. Les particules d'aliments qui s'y accumulent peuvent endommager le four ou provoquer des étincelles.

N'utilisez pas de produits de nettoyage abrasifs ni d'objets pointus.

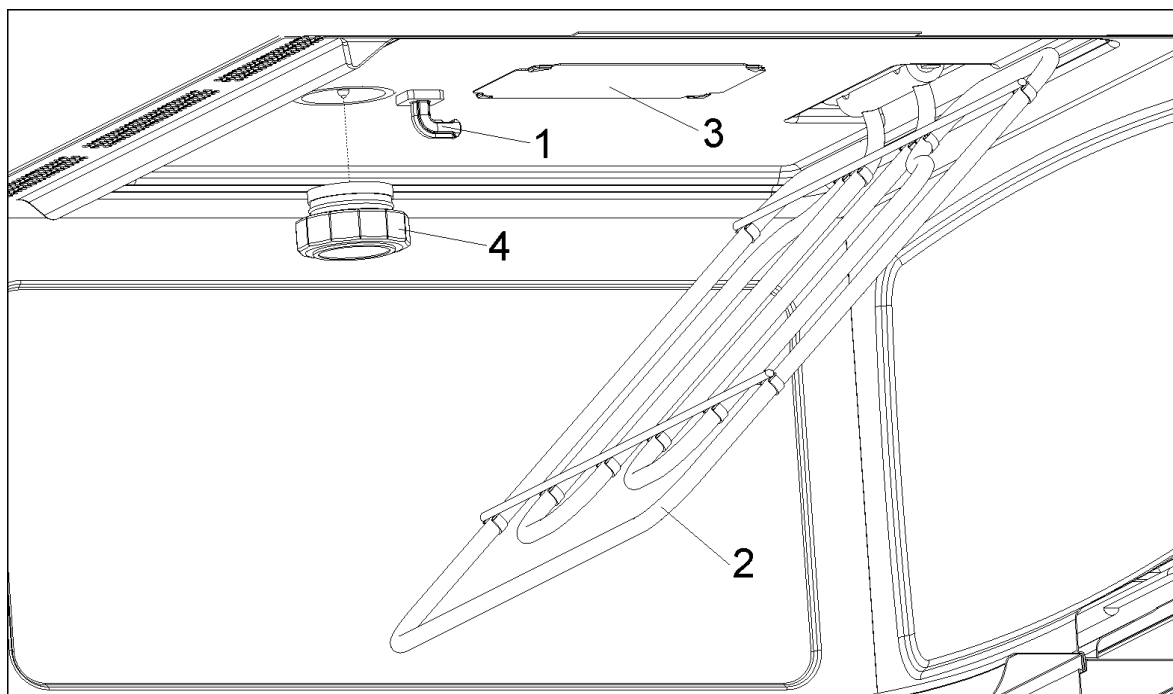
Ne retirez pas le couvercle en mica, pour éviter tout risque.

Le couvercle en verre de la lampe (4), situé dans le plafond du four, peut être facilement retiré pour être nettoyé. Dévissez-le et nettoyez-le avec de l'eau et un peu de produit vaisselle.

Accessoires

Nettoyez les accessoires après chaque utilisation. S'ils sont très sales, laissez-les d'abord tremper, puis lavez-les avec une brosse et une éponge. Les accessoires peuvent être lavés au lave-vaisselle.

Assurez-vous que le plateau rotatif et son support sont toujours propres. N'allumez pas le four sans le plateau rotatif et son support.



Que faire en cas de mauvais fonctionnement ?

ATTENTION ! Toute réparation ne peut être effectuée que par des techniciens spécialisés. Toute réparation effectuée par des personnes non certifiées par le fabricant peut se révéler dangereuse.

Les problèmes suivants peuvent être corrigés sans appeler l'assistance technique :

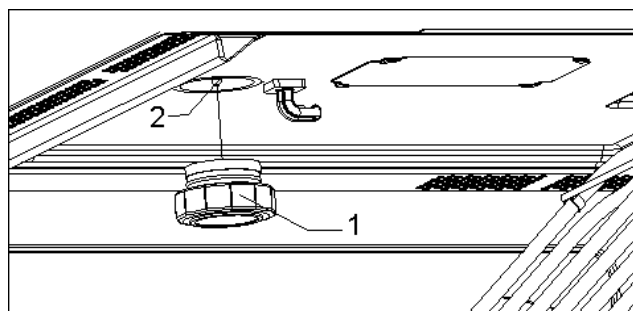
- L'écran ne s'allume pas ! Vérifiez si :
 - l'affichage de l'heure a été masquée (voir chapitre Réglages de base).
- Rien ne se passe quand on appuie sur les touches ! Vérifiez si :
 - le blocage de sécurité est actif (voir chapitre Réglages de base).
- le four ne fonctionne pas ! Vérifiez si :
 - la prise est correctement branchée au mur.
 - le circuit d'alimentation du four est branché.
 - la porte est complètement fermée. Assurez-vous-en au son produit à la fermeture.
 - des corps étrangers se trouvent entre la porte et le devant de la cavité.
- Pendant le fonctionnement du four, des bruits bizarres se font entendre ! Vérifiez si :
 - des objets métalliques génèrent des arcs électriques à l'intérieur du four (voir chapitre sur le type de vaisselle).
 - la vaisselle entre en contact avec les parois du four.
 - des ustensiles de cuisine se trouvent à l'intérieur du four.
- Les aliments ne chauffent pas ou se chauffent très lentement ! Vérifiez si :
 - vous avez utilisé de la vaisselle en métal.
 - vous avez sélectionné un temps de fonctionnement et une puissance appropriés.
 - vous avez placé à l'intérieur du four une quantité d'aliments plus importante ou plus froide que d'habitude.

- **L'aliment est excessivement chaud, desséché ou brûlé !** Vérifiez que vous avez sélectionné le temps de fonctionnement et le niveau de puissance appropriés.
- **Un bruit se fait entendre à la fin du fonctionnement !** Ceci n'est pas un problème. Le ventilateur de réfrigération continue de fonctionner un moment. Il se débranche quand la température est suffisamment basse.
- **Le four fonctionne mais l'éclairage intérieur ne s'allume pas !** Si toutes les fonctions travaillent correctement, vous devez probablement changer la lampe. Vous pouvez continuer à utiliser l'appareil.

Remplacement de la lampe

Pour remplacer la lampe, procédez de la façon suivante:

- Débranchez le four de l'alimentation électrique, en retirant la prise du mur ou en coupant le circuit d'alimentation du four.
- Dévissez et enlevez le couvercle en verre de la lampe (1).
- Retirez la lampe halogène (2). **Attention ! La lampe peut être très chaude.**
- Installez une nouvelle lampe 12V / 10W. **Attention ! Ne touchez pas la surface de la lampe directement avec les doigts car cela l'endommage la lampe.** Suivez les instructions du fabricant de la lampe.
- Revissez le couvercle en verre de la lampe (1).
- Rebranchez le four à l'alimentation électrique.



Caractéristiques techniques

Spécifications

- Tension AC..... (voir plaque des caractéristiques)
- Puissance requise 3000 W
- Puissance du gril. 1200 W
- Puissance de sortie des micro-ondes..... 1000 W
- Fréquence des micro-ondes... 2450 MHz
- Dimensions hors-tout (Longueur×hauteur×Profondeur). 595 × 455 × 542 mm
- Dimensions de la cavité (L×h×P)..... 420 × 210 × 390 mm
- Capacité du four. 38 l
- Poids 35 kg

Instructions pour l'installation

Avant l'installation

Vérifiez que la tension de l'alimentation de l'appareil, indiquée sur la plaque des caractéristiques correspond à celle de votre installation. Le plaque des caractéristiques est situé sur la partie avant de la cavité et est visible seulement après l'ouverture de la porte.

S'il y a lieu, conformément au Code national de l'électricité (ou au Code canadien de l'électricité), cet appareil doit être installé sur **un circuit de dérivation séparé**.

Installateur – Indiquer au propriétaire l'emplacement du disjoncteur ou du fusible. Identifier sa position pour pouvoir le retrouver facilement.

Avant l'installation, mettre l'appareil hors service au panneau de service. Verrouiller le panneau d'entrée d'électricité pour éviter que le courant ne soit accidentellement rétabli.

S'assurer que l'appareil est installé et mis à la terre par un technicien qualifié. L'installation, les connexions électriques et la mise à la terre doivent être conformes à tous les codes applicables.

Ouvrez la porte du four et **retirez tous les accessoires** ainsi que l'emballage.

Attention! Le devant du four peut être enveloppé d'une **pellicule de protection**. Retirez-la soigneusement, avant la première utilisation, en commençant par le bas.

Vérifiez que le four n'est pas endommagé. Assurez-vous que la porte du four ferme correctement et que le côté intérieur de la porte et le devant de la cavité ne sont pas abîmés. S'ils le sont, appelez le Service d'assistance technique.

N'UTILISEZ PAS LE FOUR si le conduit flexible est endommagé, si le four ne fonctionne pas correctement ou s'il est endommagé ou bien tombé. Appelez le Service d'assistance technique.

Installez le four sur une surface stable, le plus loin possible des radios, télévisions et de tout ce qui produit de la chaleur.

Alimentation Electrique

Avant d'installer le four avec un électricien qualifié, vérifiez que votre maison est pourvue du système électrique approprié et qu'en plus le four

ne surchargera pas le circuit de branchement sur lequel il doit être installé.

Sont nécessaires un triphasé séparé, ou un four à simple phase à 4 fils, 240 Volt, 60 Hz.

Pour brancher le four, vous aurez besoin d'une boîte de raccordement approuvée qui est facilement à portée de main à travers le devant du meuble où le four sera placé. Le four a 90 cm de conduit.

Laissez 60 des 90 d'espace entre la ligne électrique pour que le four puisse être déplacé si un dépannage était nécessaire.

NE RACCOURCISSEZ PAS le conduit flexible.

Cablage Necessaire

Lorsque vous raccordez les fils, utilisez toute la longueur de conduit fourni (90 cm). Le conduit ne doit pas être coupé.

Avant de faire les raccordements, assurez-vous qu'il n'y a plus d'électricité et lisez et observez ce qui suit:

1. Sont nécessaires pour le four un circuit de raccord triphasé ou à quatre fils, simple phase, 240 Volt, 60 Hz.
2. Le four doit uniquement être raccordé avec des fils cuivre ou aluminium.
3. Aux Etats-Unis :

Les fils doivent être conformes au code électrique national, ANSI/NFPA No. 7 dernière édition. Vous pouvez obtenir une copie du code électrique national en écrivant à: National Fire Protection Association Batterymarch Park Quincy, MA 02269

Au Canada:

Les fils doivent être conformes au code électrique canadien C22.1- dernière édition. Vous pouvez obtenir une copie du code électrique canadien en écrivant à: Canadian Standards Association 178 Rexdale Boulevard Rexdale (Toronto), Ontario, Canada M9W 1R3

1. La taille des fils (CUIVRE OU ALUMINIUM) et des connexions doit être appropriée aux caractéristiques des appareils électroménagers par le code électrique national. Le câble armé flexible s'étendant du four doit être connecté directement au boîtier de raccordement.

Instructions pour l'installation

2. Le boîtier de raccordement doit être situé pour qu'il y ait un maximum d'espace entre lui et four pour qu'il puisse être déplacé en cas de panne.
3. Un connecteur conduit U.L. listed doit être placé à chaque extrémité du câble de raccordement d'alimentation.

Connexions Electriques

Assurez-vous que votre installation est correctement installée et branchée par un technicien qualifié. Demandez à votre revendeur un technicien qualifié ou un service de réparation agréé.

Cet appareil est fabriqué avec un conducteur de terre vert connecté au châssis du four. Après vous être assuré qu'il n'y a plus de courant, branchez le conduit flexible depuis le four jusqu'au boîtier de raccordement en utilisant un connecteur de conduit U.L. listed. Les figures suivantes et les instructions fournies présentant la manière la plus commune de brancher un four. Vos codes locaux et règlements sont évidemment prioritaires sur ces instructions. Effectuez les connexions électriques conformément aux codes locaux et les règlements.

“AVERTISSEMENT” Risque d'électrocution, cadre à la masse à une position neutre d'un appareil par une liaison.

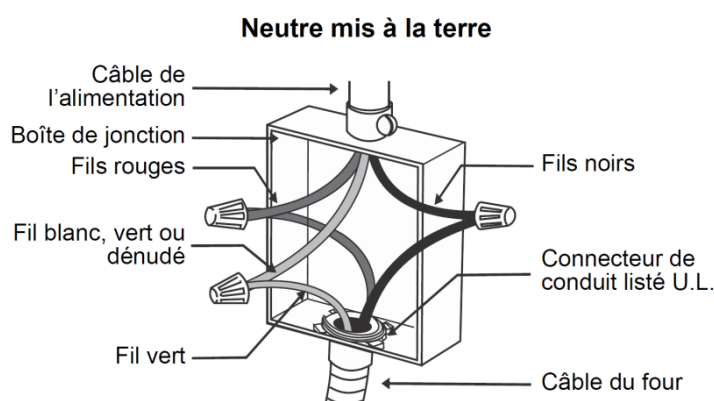
Mettre à la masse par un conducteur neutre est interdit pour les nouvelles installations de circuit électrique (1996 NEC); les mobile homes; et les véhicules de parc, ou dans les régions où les codes locaux interdisent de brancher à la masse à travers un conducteur neutre. Pour les installations où la mise à terre par un conducteur neutre est interdit:

- Déconnectez la masse du conducteur neutre aux extrémités libres du conduit ;
- Utilisez la borne de terre ou une broche de raccordement pour mettre à la terre l'unité; et
- Connectez la borne de neutre ou une broche de raccordement à un circuit de dérivation neutre de la manière habituelle.

Connexion à 3 Fils (Pour US seulement)

Selon la Figure suivant, où les codes locaux permettent la connexion du conducteur de terre du four au fil NEUTRE du circuit de branchement (fil gris ou coloré blanc):

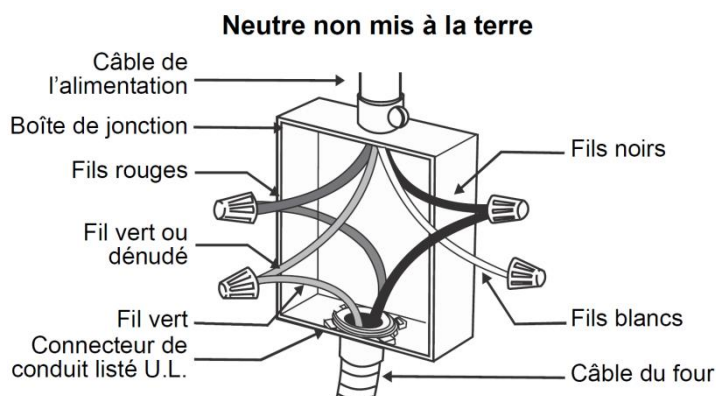
- Si les codes locaux le permettent, connectez le conducteur de terre vert du four et le fil blanc du four au fil NEUTRE du circuit de branchement (fil gris ou coloré blanc).
- Connectez les broches de raccordement du four aux broches de raccordement correspondantes dans le boîtier de raccordement.



Connexion à 4 Fils (Pour des US ou CANADA)

Selon la Figure suivant :

- Déconnectez la masse du point neutre aux extrémités du conduit.
- Connectez le conducteur de terre vert du four au conducteur de terre dans le boîtier de raccordement (fil nu ou coloré vert).
- Connectez les broches de raccordement rouge et noir du four aux broches de raccordement correspondantes dans le boîtier de raccordement.



Instructions pour l'installation

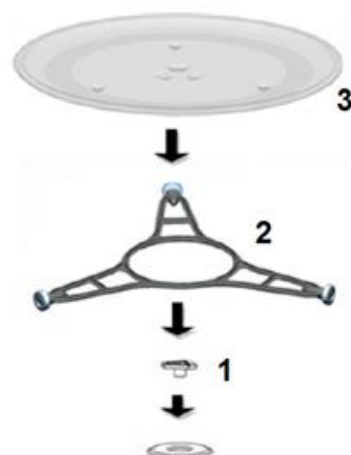
Après l'installation

Le four ne fonctionne que si la porte est correctement fermée.

Avant la première utilisation, nettoyez l'intérieur du four ainsi que les accessoires en suivant les indications figurant au point «Nettoyage et entretien de votre four».

Emboîtez le manchon dans le centre de la cavité du four, placez le support plateau puis le plateau rotatif qui doit s'emboîter. Chaque fois que le four est utilisé, il est important que ces accessoires soient à l'intérieur du four et correctement placés.

Le plateau rotatif peut tourner dans les deux sens.



Installation/ Installation

EN - Positioning the oven

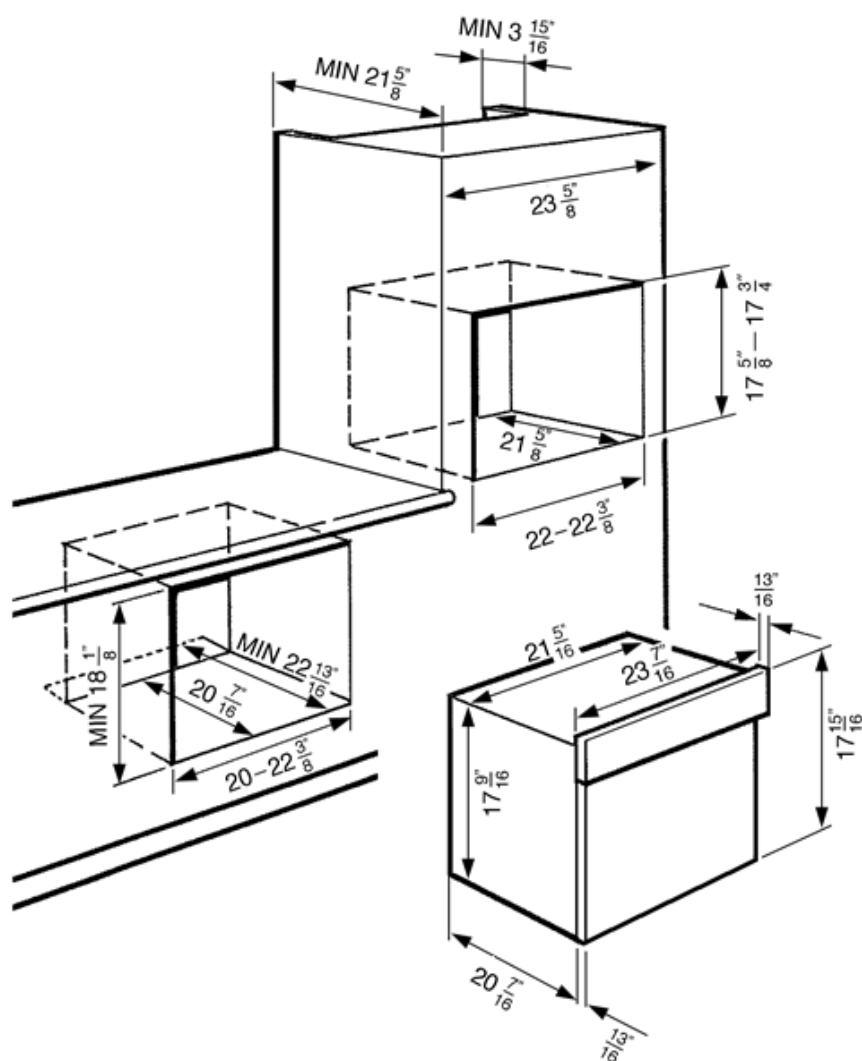
The appliance is designed for building-in to cabinets made from any heat-resistant material. Comply with the dimensions shown in following pictures.

When installing in tall units bear in mind that the top/rear of the unit must have an opening 100 mm deep.

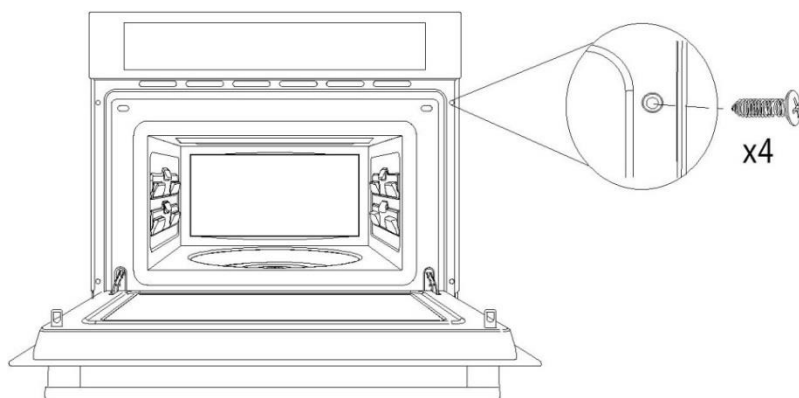
FR - Pour mettre le four en place

L'appareil est étudié pour être encastré dans des armoires fabriquées dans un matériau résistant à la chaleur. S'en tenir aux dimensions indiquées sur les figures suivantes.

Lors de la pose dans de grands meubles, ne pas oublier que la partie supérieure/arrière de l'appareil doit impérativement présenter une ouverture de 100 mm de profondeur.



Installation/ Installation



EN

- Push oven completely into the cabinet and centre it.
- Open microwave door and fasten the appliance to the cabinet using the four screws provided. Insert the screws through the front holes.

FR

- Introduisez le four dans le meuble jusqu'à ce que l'avant du four butte sur le bois et alignez-le.
- Ouvrez la porte du four et fixez ce dernier aux parois latérales du meuble au moyen des 4 vis fournies, par les trous prévus à cet effet.

Warranty

Porter&Charles products are designed and built to the highest standards. We expect your appliances to provide many years of trouble free enjoyment. In the event of an appliance requiring attention, each appliance is covered by a 2 year warranty from the date of purchase.

Refer to warranty policy for complete terms and conditions.

Coverage is for costs of parts and labour for appliances in capital cities & metropolitan areas. We reserve the right to charge directly for handling expenses outside the metropolitan region.

Porter&Charles products are supported by a national service support system. Call our customer service department for attention.

Please retain your invoice to quote should you require service assistance. This will identify your product for our priority service back-up. Please attach your invoice to this manual for easy future reference. To register your purchase, you can either complete the section below to mail or fax, or register online at www.porterandcharles.ca/warranty-information.

Porter&Charles
871 Cranberry Court
Oakville, ON L6L 6J7
Canada

Toll: 1-866-699-4973
Tel: 905-829-8389
Fax: 905-829-8409
info@ela.ca
www.porterandcharles.ca

For Service & Parts:
EURO-PARTS
Toll: 1-866-722-2262
service@euro-parts.ca
parts@euro-parts.ca
www.euro-parts.ca

Important: Please record details of your purchase below and mail or e-mail to Porter&Charles

-----cut along line -----

Name: _____ Tel No _____

Address: _____

City : _____ Prov/State: _____ Postal Code/ZIP: _____

Where purchased: _____ Purchase date: _____

Items purchased: _____

Serial No's: : _____

