

The unequalled BlueStar Gas Wall Oven combines heavy-duty, handcrafted construction with a seamless design to bring functional beauty to the home chef's kitchen. Each extra-large oven contains a powerful 25,000 BTU burner with 1850° Infrared Broiler.

PRODUCT FEATURES

- Powerful 25,000 BTU burner with 1850° Infrared Broiler
- Extra-large oven that accommodates a full-size 18" x 26" baking sheet
- Features swing door design from either left or right side
- 24" depth for compatibility with standard kitchen cabinetry
- Available as single ovens or two single ovens double stacked
- Unmatched customization: choose from 1,000+ colors and 10 metal finishes or custom colors
- Coved corners for optimal heat circulation and easier cleaning
- Available in Natural or LP gas
- Handcrafted in Pennsylvania since 1880

SPECIFICATIONS

Single Oven Dimensions: 30"W x 26"D x 32.75"H
 Double Oven Dimensions: 30"W x 26"D x 65 1/2"H
 Oven Interior: 26.25"W x 20"D x 15"H
 Oven Burner Rating: 25,000 BTUs
 Infrared Broiler Rating: 15,000 BTUs
 Electrical Requirements: 120V, 60Hz, 15 AMPs, 1 PH
 (Unit must be on a Non-GFI, dedicated outlet)
 Operating Gas Pressure: NAT: 5.0" WC, LP: 10.0" WC
 Gas Line: 1/2"

Note: Unit should be installed at least 6" from side wall to allow for proper operation.



MODEL CONFIGURATION

Single Gas Wall Oven

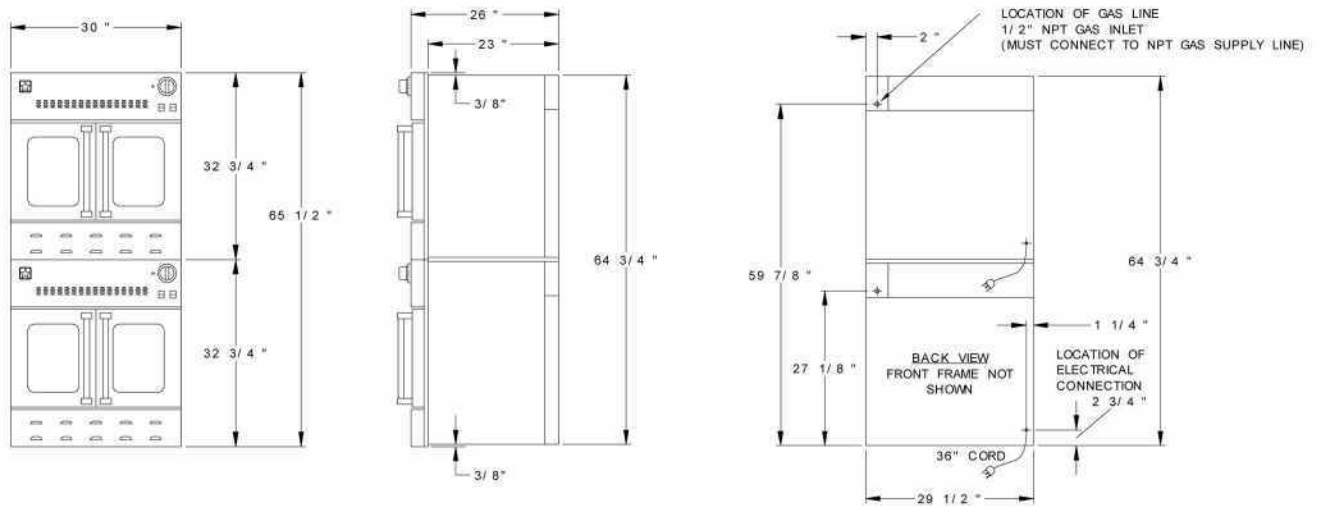
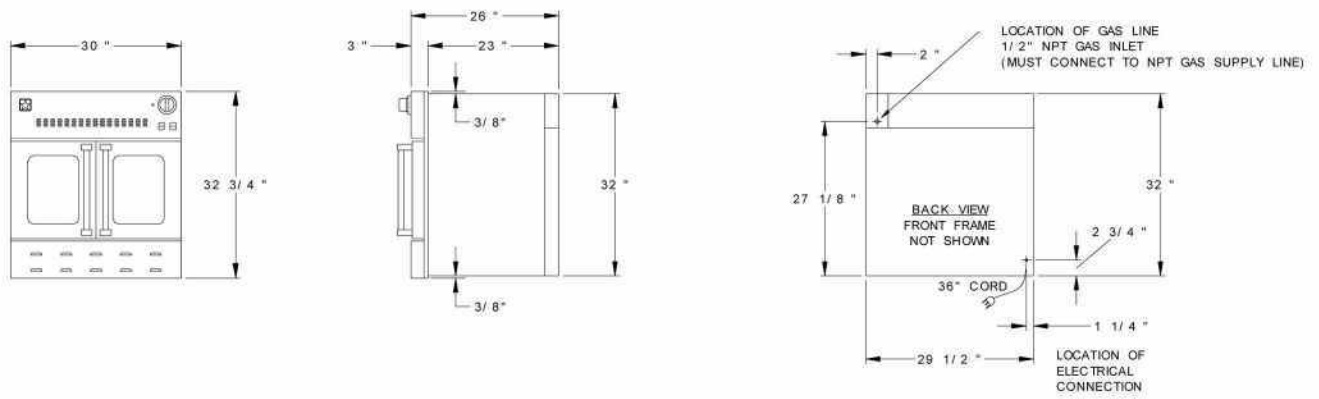
BWO30AGSV2

For Double Gas Wall Oven configuration, order two Single Gas Wall Ovens and a 30" Gas Wall Oven stacking kit (BWOSTK-30).

ADDITIONAL CUSTOMIZATION OPTIONS

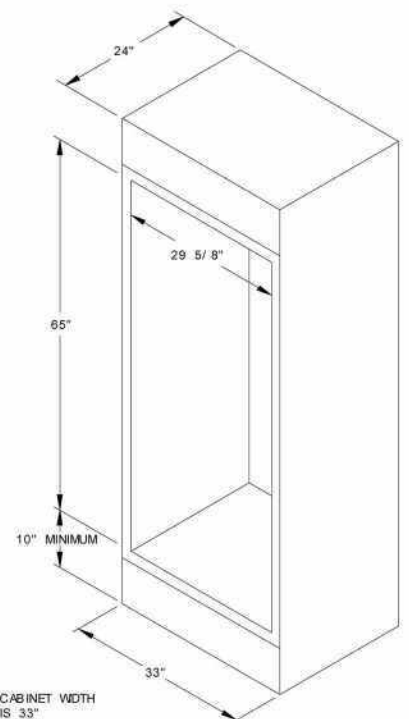
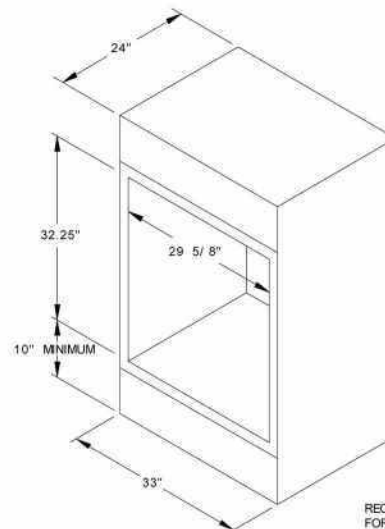
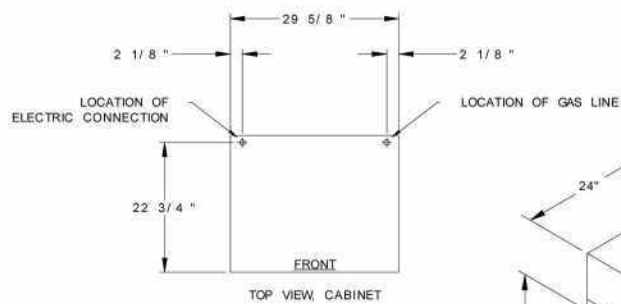
- 1,000+ Colors & finishes
- Knob colors
- Trim options

All specifications subject to change without notice. Visit www.bluestarcooking.com prior to site preparation or installation.



SPECIFICATIONS:

- OVEN INTERIOR: ----- 26.25"W x 20"D x 15"H
- OVEN BURNER RATING ----- 25,000 BTU
- OVEN INFRARED BROILER RATING ----- 15,000 BTU
- OVEN HEAT ASSIST ELEMENT ----- 3,000 BTU
- EACH OVEN ELECTRICAL REQUIREMENTS ----- 120V, 60Hz, 15 AMPS, 1 PH
(UNIT MUST BE ON A NON-GFI, DEDICATED OUTLET)
- OPERATING GAS PRESSURE ----- NAT: 5.0" WC
LP: 10.0" WC



RECOMMENDED CABINET WIDTH FOR 30" OVEN IS 33"

CLEARANCES

VISIT www.bluestarcooking.com FOR CUSTOM CONFIGURATIONS