

# 24" BUILT-IN FREEZER

OVERLAY BUILT-IN FREEZER

CODE ID

**F7IFC2401-R** ( RIGHT HINGE )

CODE ID

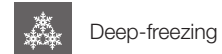
**F7IFC2401-L** ( LEFT HINGE )



RIGHT HINGE



LEFT HINGE



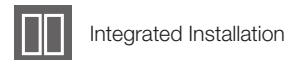
Deep-freezing



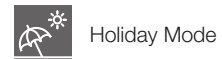
Total No Frost



LED lighting



Integrated Installation



Holiday Mode



Ice Maker



Sabbath Mode

## Features

Our overlay column freezers are both powerful, elegant and provide commercial grade performance. Custom panels can be installed to provide a completely integrated look with adjacent cabinets and feature a brilliant white aluminum interior with metal bins on full extension stainless glides. All units feature an accessory ice maker, with food preservation being the priority. Combining elegant design and commercial quality, ensures optimal food preservation performance. A dedicated compressor and evaporator provide consistent and precise temperatures throughout.

## SPECIFICATIONS

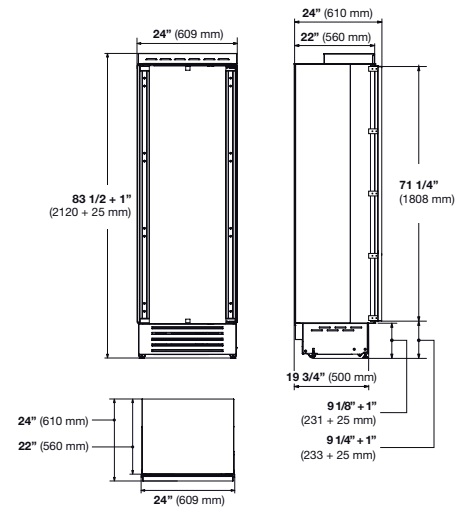
Panel Ready Exterior  
Total No Frost  
Height adjustable glass shelves  
Metal freezer bins on stainless steel glides  
Icemaker with ice tray  
Luminous white interior  
Multilevel LED lighting

## OPTIONAL ACCESSORIES

REFHANDPROCOL  
Sofia Professional Handle Kit  
REFHANDISCOL  
Distinto Handle Kit

# REFRIGERATION

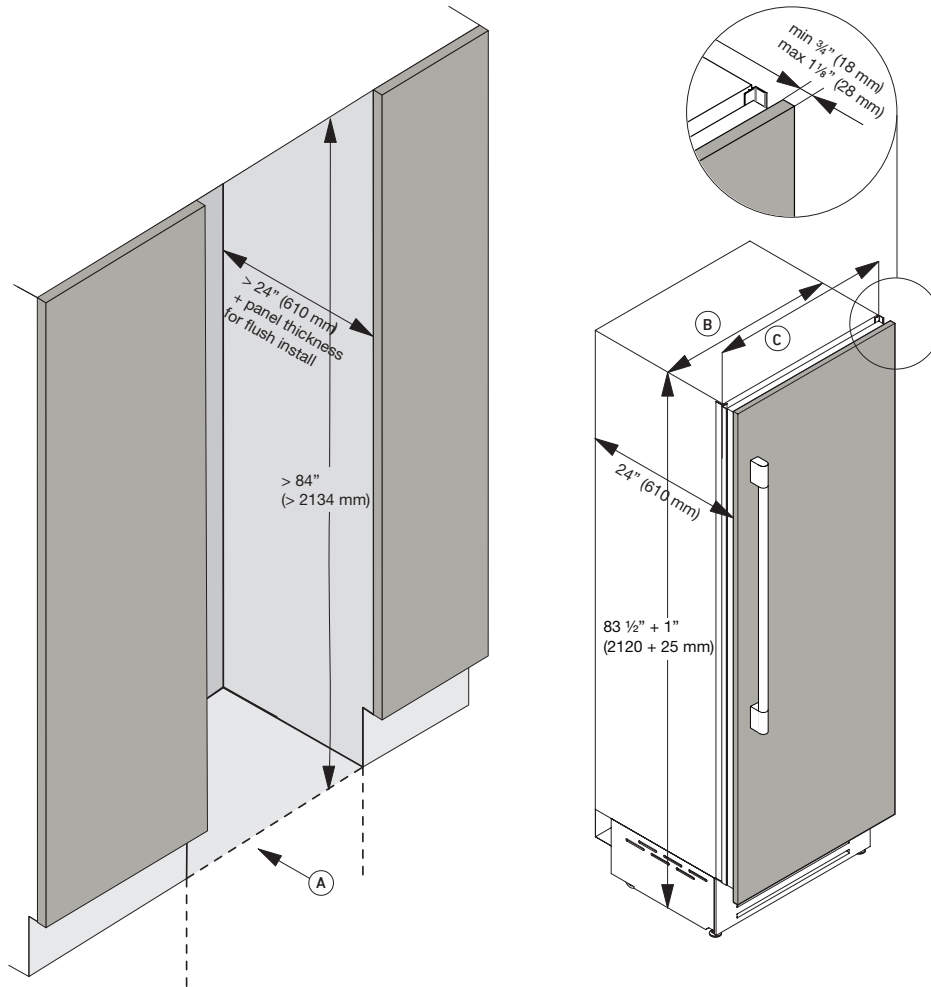
## BUILT-IN FREEZER COLUMN



| CODE ID                                 |                            | 24" OVERLAY BUILT-IN FREEZER<br>F7IFC24O1-L (LEFT HINGE)<br>F7IFC24O1-R (RIGHT HINGE) |  |
|---|----------------------------|---|--|
| Finish                                  | Panel Ready Exterior       |   |  |
| <b>PERFORMANCES/CAPACITY</b>            |                            |   |  |
| Annual Energy Usage                     | 548 kWh/yr                 |   |  |
| Interior capacity (cbft)                | 12.67                      |   |  |
| <b>FEATURES</b>                         |                            |   |  |
| Shelves                                 | 2                          |   |  |
| Adjustable Door Shelves                 | 2                          |   |  |
| Freezer Drawers                         | 4                          |   |  |
| LED lighting                            | •                          |   |  |
| Ice Maker                               | •                          |   |  |
| Ice Maker production capacity           | 2.2 lbs / 24 hrs           |   |  |
| No Frost                                | •                          |   |  |
| <b>DIMENSIONS/WEIGHT</b>                |                            |   |  |
| Width in                                | 24"                        | 809 mm  |  |
| Height in                               | 83 - 1/2"                  | 2120 mm   |  |
| Depth without handle in                 | 24"                        | 610 mm  |  |
| Minimum niche height in                 | 84 - 1/2"                  | 2145 mm   |  |
| Door clearance in                       | 46 - 3/4"                  | 1187 mm   |  |
| Door opening angle                      | 100°                       |   |  |
| Net Weight                              | 311 lbs                    | 141 kg  |  |
| <b>POWER / RATINGS (115 V, 60 HZ)</b>   |                            |   |  |
| Watts / Amps                            | 327W - 3A                  |   |  |
| Power Cable                             | Nema 5-15P                 |   |  |
| <b>INSTRUCTIONS FOR USE</b>             |                            |   |  |
| Use & Care Manual / Installation Manual | English / French / Spanish |   |  |

# BUILT-IN FREEZER 24"

NICHE SPECIFICATIONS AND DIMENSIONS



## TECHNICAL DATA

|                                    |                  |
|------------------------------------|------------------|
| (A) Niche Width                    | 24" (610 mm)     |
| (B) Unit Width                     | 23" 1/8 (587 mm) |
| (C) Unit Width with lateral frames | 24" (609 mm)     |

## ELECTRICAL AND WATER CONNECTIONS

