

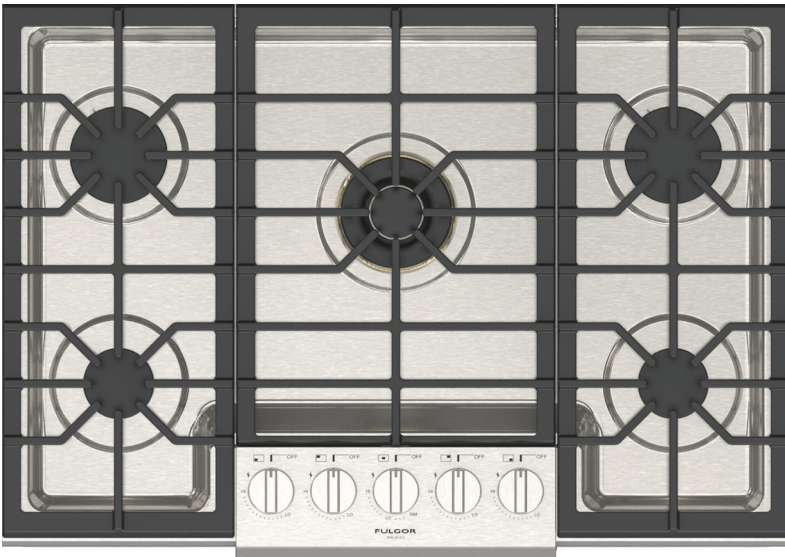
# SOFIA PROFESSIONAL 30"



CODE ID

30" PROFESSIONAL GAS COOK TOP

**F6PGK305S1**



Knob control with back light system



1 Central Dual Crescendo Burner



4 Single Burners



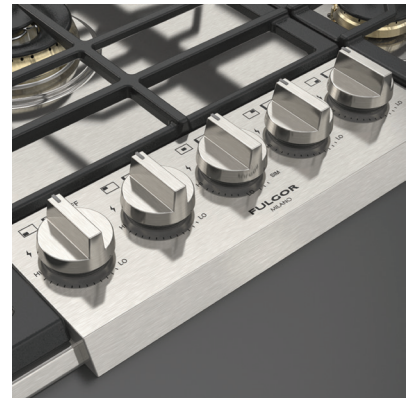
Heavy Duty Grates



Continuous Grate Surface



Heavy Duty Control Panel



## SPECIFICATIONS

3 Heavy duty continuous cast iron grates  
Heavy Gauge 304 Stainless Steel Burner Bowl  
1 Solid Brass Dual Flame Burner with 20.000 BTU Max (NG)  
2 Solid Brass Rapid Burners with 10.500 BTU Max (NG)  
2 Solid Brass Semirapid Burners with 8.000 BTU Max (NG)  
Backlit Control Knob indicates burner operation (White)  
Backlit Control Knob indicates residual heat (Red)  
Heavy duty control panel  
Large cooking area  
Full pot stability  
Natural Gas (LP Convertible)

## OPTIONAL ACCESSORIES

FMWOK  
FMSIM

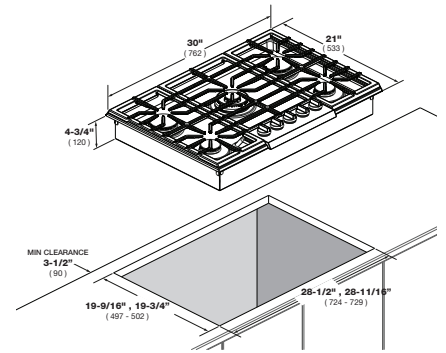
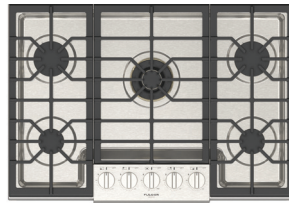
Wok ring  
Simmer plate

### NOTE:

Wok ring (FMWOK) to be used with centre burner only.

# SOFIA

## 30" PROFESSIONAL GAS COOKTOP



CODE ID	30" PROFESSIONAL PRO GAS COOK TOP F6PGK305S1	
Series	600	
Finish	Stainless Steel	
<b>CONTROL PANEL</b>		
Control Type	Knobs	
<b>COOKTOP</b>		
Type	GAS (NG or LP)	
Cooking Surface	Matte Black Enamel	
<b>GAS COOKTOP FEATURES</b>		
Electric Re-ignition system	•	
Flame-out sensing	•	
Dual Crown Brass Burner	•	
Simmer Plate	Optional	
Small Pot Insert (for single burners only)	Optional	
Wok Ring (for dual burner only)	Optional	
Heavy Duty Cast Iron Grates	2	
Cooking Zones	5	
Burners types	All Brass Dual Flame/Simmer Burner	
Power (Max/Min) (Front-L)	8000 (BTU/h) - 2345W / 1300 (BTU/h) - 382W	
Power (Max/Min) (Rear-L)	10500 (BTU/h) - 3080W / 2200 (BTU/h) - 645W	
Power (Max/Min) (Center)	20000 (BTU/h) - 5880W / 750 (BTU/h) - 220W	
Power (Max/Min) (Rear-R)	10500 (BTU/h) - 3080W / 2200 (BTU/h) - 645W	
Power (Max/Min) (Front-R)	8000 (BTU/h) - 2345W / 1300 (BTU/h) - 382W	
<b>DIMENSIONS/WEIGHT</b>		
Overall dim - Width	30"	762 mm
Overall dim - Height	4 - 5/8"	118 mm
Overall dim - Depth	21"	533 mm
Cut-out - Width (min - max)	28" - 1/2 , 28" - 11/16	724 mm - 729 mm
Cut-out - Height (min)	3 - 3/8"	87 mm
Cut-out - Depth (min - max)	19" - 9/16 , 19" - 3/4	497 mm - 502 mm
Gross Weight	61 lbs	27.5 kg
<b>POWER / RATINGS (120 V, 60 HZ)</b>		
Amps	0.1A	
Max Power	57000 (BTU/h) - 16730W	
Power Cable	Nema 5-15P	
<b>INSTRUCTIONS FOR USE</b>		
Use & Care Manual / Installation Manual	English / French / Spanish	