

The NEW Freezer Column has been designed to offer exceptional food preservation, maximum storage & unmatched options for kitchen design and flexibility. With industry-leading capacity these integrated columns are perfect for every home kitchen.

PRODUCT FEATURES:

- Industry-leading 16.84 cu. ft. capacity
- Stainless steel & glass interiors
- Available in panel-ready, pro-style stainless steel or your choice of 1,000+ colors, all with flush installation
- Automatic ice maker with Super Ice function
- Easy-to-use touch control panel
- Extra-bright LED lighting
- Stainless steel full extension drawers
- Iron Clad Warranty: 2 years (full), 5 years (sealed system parts & labor) and 13 years (sealed system parts)
- Side by side kits included with all freezer models.

CONFIGURATIONS:

Right Swing Models:

BIFP30R0	Panel Ready
BIF30R0	Stainless Steel Standard Trim
BIF30R0PLT	Stainless Steel Plated Trim
BIF30R0C	Standard RAL Color Standard Trim
BIF30R0CPLT	Standard RAL Color Plated Trim
BIF30R0CF	Specialty Finish Standard Trim
BIF30R0CFPLT	Speciality Finish Plated Trim
BIF30R0CC	Custom Color Standard Trim
BIF30R0CCPLT	Custom Color Plated Trim



Model: BIFP30R0

Model: BIF30R0

Model: BIF30R0CPLT

SPECIFICATIONS:

Dimensions:

- Standard Door: 83 1/2"H x 29 3/8"W x 25 1/4"D
- Panel Ready: 83 1/2"H x 29 3/8"W x 24 1/4"D

* Overall depth does not include panel depth

* Width includes connector brackets

Electrical Requirements: 115V, 60Hz, 15 AMP Circuit
(Unit must be on a Non-GFI, dedicated outlet)

Water Pressure: 35 - 120 psi

Unit Capacity: 16.84 cu. ft.

Weight: 445 lbs.

Left Swing Models:

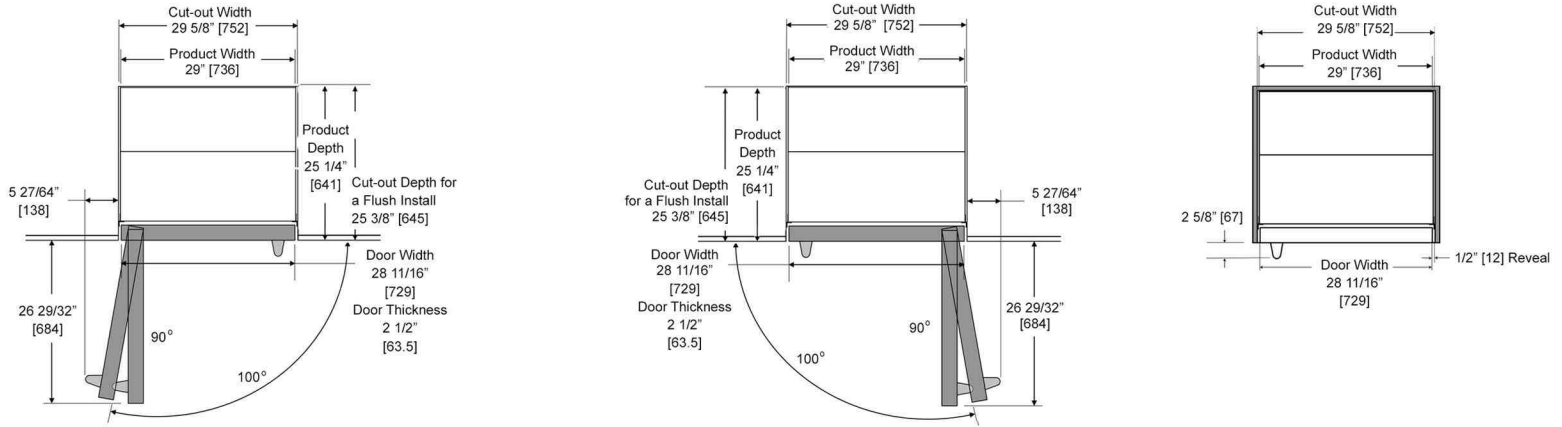
BIFP30L0	Panel Ready
BIF30L0	Stainless Steel Standard Trim
BIF30L0PLT	Stainless Steel Plated Trim
BIF30L0C	Standard RAL Color Standard Trim
BIF30L0CPLT	Standard RAL Color Plated Trim
BIF30L0CF	Specialty Finish Standard Trim
BIF30L0CFPLT	Speciality Finish Plated Trim
BIF30L0CC	Custom Color Standard Trim
BIF30L0CCPLT	Custom Color Plated Trim

- (A) Cut-out must have a finished return of at least 3 1/2" from the front
- (B) Standard Door Installation: Cut-out must be a minimum depth of 25 3/8" [645] for a flush door installation. Cut-out must be minimum depth of 23 1/4" [591] to cover the sides of the unit.

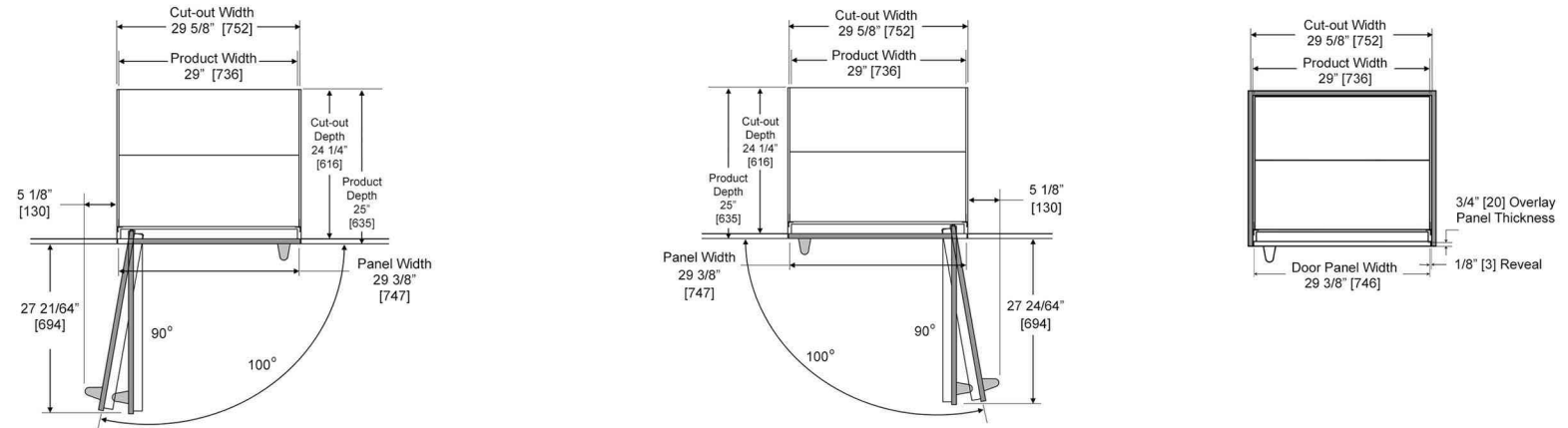
Notes:

- Except where noted, dimensions shown are from cut-out to refrigerator.
- Dimensions shown in [] are in millimeters.
- Cut-out dimensions are for frameless cabinet installations. Refer to column refrigeration design guide for face frame cabinet cut-out dimensions.

STANDARD DOOR MODELS (B)

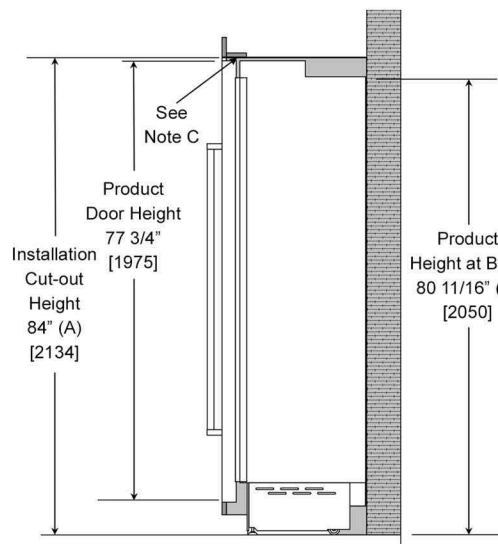


PANEL READY MODELS

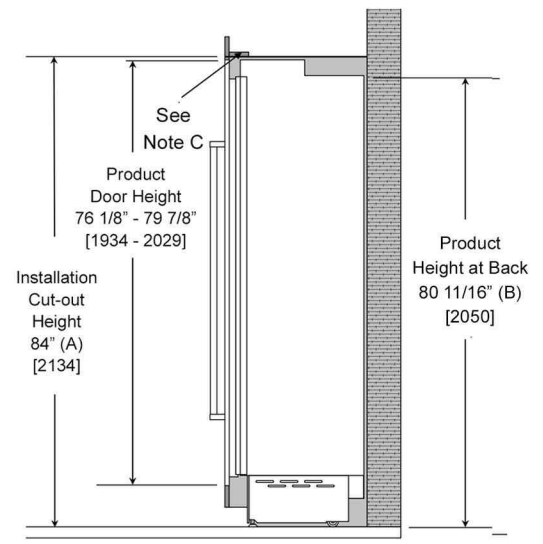


Notes:

- (A) Recommended installation cut-out height: 83 1/2" - 84"
- (B) Dimensions shown are with rollers in minimum position as shipped. Product can be raised 1" max.
- (C) Installation cut-out must have a finished return of at least 3 1/2" from the front.



STANDARD DOOR MODELS



PANEL READY DOOR MODELS