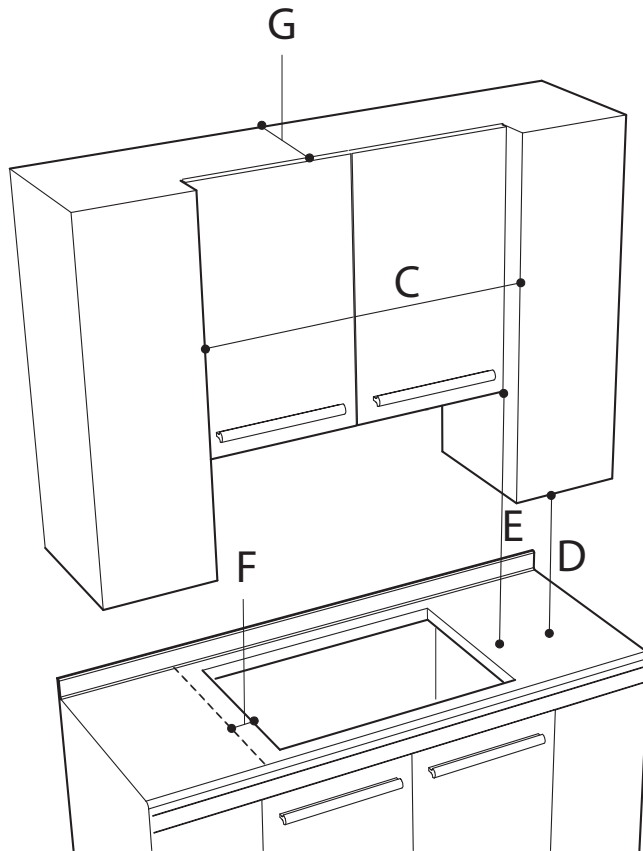


CUTOUT REQUIREMENTS



WALL COVERING CABINETS,
AND COUNTERTOP MUST
WITHSTAND HEAT UP TO 93° C (200° F)

Ltr.	CUTOUT DIMENSION	inch	cm
A	Cutout Width	Min 21-7/8" Max 22	Min 55.6 Max 56.0
B	Cutout Depth	Min 19-1/8" Max 19-1/4"	Min 48.6 Max 49.0
C	Opening between cabinets	Min 24" min	Min 60
D	Height from countertop to nearest cabinet on either side of unit	Min 18"	Min 45.7
E	Clearance from countertop to unprotected overhead surface	Min 30"	Min 76.2
F	Clearance from cutout to side wall on the left and right of the unit	Min 2"	Min 5
G	Depth of unprotected overhead cabinets	Min 13"	Min 33

PACKAGING		lb / inch	Kg / mm
GROSS WEIGHT		21 lb	9.5 Kg
DIMENSION	W	25-1/4"	641
	D	22-5/8"	575
	H	5"	127

NOTE
R
Radius corners of cutout and file to insure smooth edges and prevent corner cracking. Recommend 1/4" or 3/8" diameter drill in each.

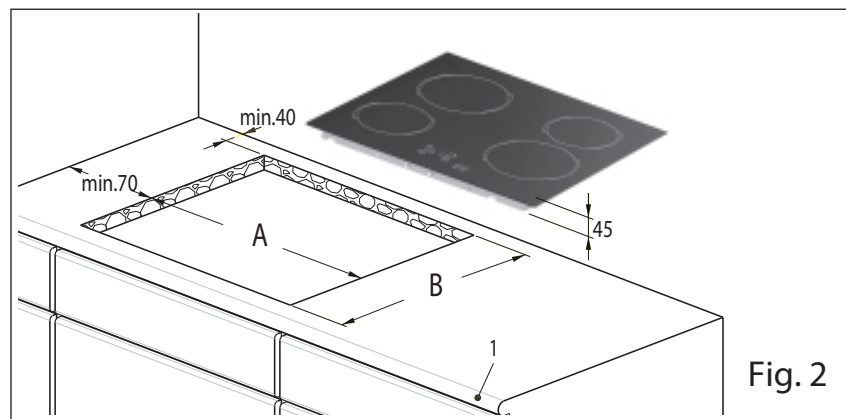


Fig. 2

