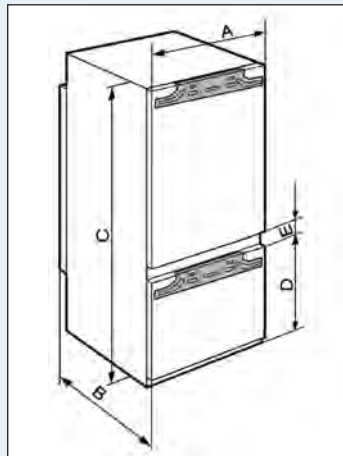


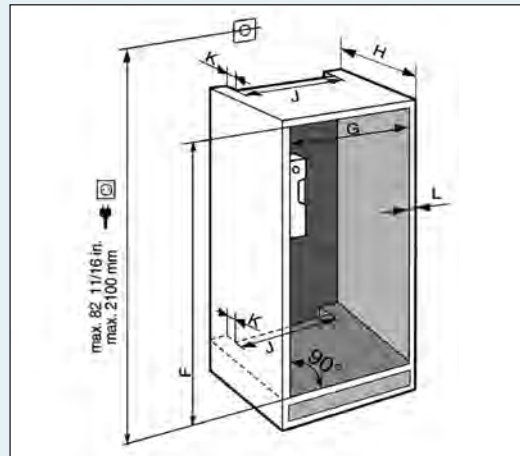
Diagrams

◀24"▶

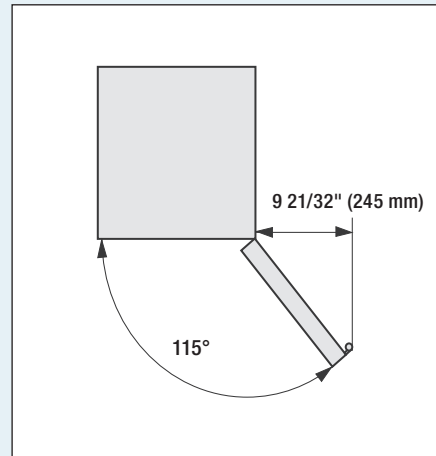
Appliance / Recess Dimensions



- A. 22" (559 mm)
- B. 21 7/16" (544 mm)
- C. 69 11/16" (1770 mm)
- D. 27 3/8" (695 mm)
- E. 5/8" (15 mm)



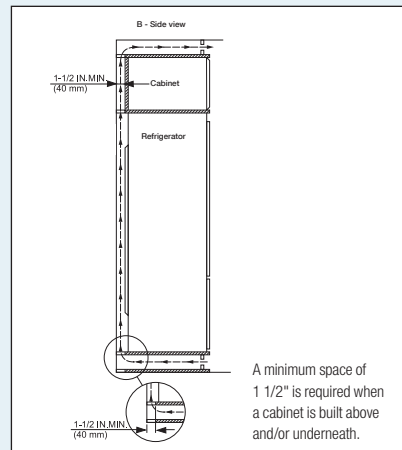
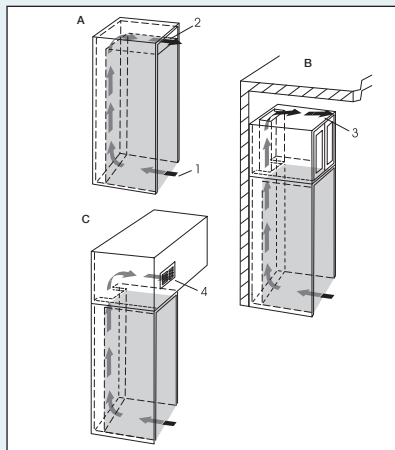
- F. 69 3/4" – 70 3/8" (1772 – 1788 mm)
- G. 22 – 22 3/4" (560 – 578 mm)
- H. min. 21 5/8", recommended 22 (min. 550, rec. 560 mm)
- J. min. 19 11/16" (min. 500 mm)
- K. min. 1 5/8" (40 mm)
- L. max. 3/4" (19 mm)



- ① Power cord
- ② Level
- ③ Fish line for power cord
- ④ 3" of the cabinet needs to be finished as it can be seen when the door is open.

In the case of Side-by-Side installation, two appliances next to one another, build the appliances into separate kitchen units.

Ventilation Requirements



A minimum space of 1 1/2" is required when a cabinet is built above and/or underneath.

This is a fully integrated refrigerator-freezer which means that it is fully enclosed by a kitchen cabinet. This type of cabinet must be carefully constructed using the correct dimensions and it must provide suitable ventilation to ensure proper appliance operation.

NOTICE
If the following ventilation dimensions are not observed the compressor will be damaged.

Kitchen Cabinet Airflow

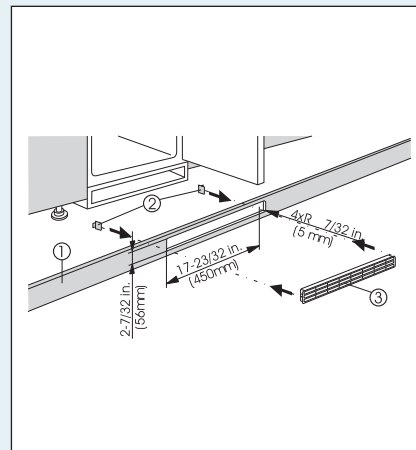
The following ventilation dimensions must be observed: There must be a ventilation space at least 31 in.² (200 cm²) at the airflow inlet (1) and at the airflow outlet (2).

The top ventilation space can be directed in one of the following ways:

- A) Directly over the appliance (2) with either an optional factory air vent or custom made one.
- B) Above the cabinet and below the ceiling (3).
- C) Through a vent installed in a soffit (4).

A minimum space of 1 1/2" (38mm) is required when a cabinet is built above and/or underneath.

Kitchen Cabinet Base Grille



Ventilation through the cabinet base at the bottom can be achieved by installing the provided ventilation grille (3) or via a ventilation opening of at least 31 in.² (200 cm²).

When using the provided ventilation grille (3), please proceed as follows:

- In the cabinet base, cut out a ventilation opening that is 17-23/32 in. (450 mm) in width and 2-7/32 in. (56 mm) in height.
- Insert ventilation (3) grille into the cabinet base cut-out (1).
- From the back side, slide the snap-fits (2) into the grille until the hooks make contact with the cabinet base.
- Completely mount cabinet base (with ventilation grille and snap-fits) to kitchen cabinet.



Liebherr HC 1000B

Fully Integrated/Seamless



LIEBHERR

Quality, Design and Innovation

The **HC 1000B** blends in beautifully with any kitchen cabinetry, providing diverse design options to fit your dream kitchen. Liebherr's door slider system allows for custom paneling to fasten onto the appliance door via sliding rails, ensuring the cabinet and the refrigerator door open as one. When opened and closed, the cabinet door slides smoothly along the rails. You can match the refrigerator panel dimensions to cabinetry of 80" or 84" inch high for additional storage space over the refrigerator. LED lighting illuminates the interior of the refrigerator for clear visibility of stored food, while being highly energy efficient.

Liebherr's DuoCooling system for the refrigerator and the freezer provides superior performance and efficiency, as well as advanced food preservation. DuoCooling creates optimal conditions in both the refrigerator and freezer compartments, which lengthens the shelf life of food items for a healthier lifestyle.



Fully Integrated/Seamless

Energy consumption

in 365 days kWh
Estimated Yearly Energy Cost in US \$

Capacity

Total capacity cu.ft. (l)
Refrigerator comp. cu.ft. (l)
NoFrost Freezer comp. cu.ft. (l)

Shipping weight lbs. (kg)

Climate rating

Sound rating dB(A)

Door hinges

Outside dimensions

in inches (cm) H/W/D

Cut out dimensions

in inches (cm) H/W/D

Energy supply

Voltage V/Hz

HC 1000B
Comfort



395

47*

9.4 (267)

7.0 (199)

2.4 (68)

149.5 (67.8)

SN-T

38**

right, reversible

69 11/16"+11/16"/22"/21 7/16" (177+1.6/55.9/54.4)

69 3/4"-70 3/8"/22"-22 2/4"/21 11/16" (177.2-178.8/56-57.8/56)

115/60

* Energy Cost will depend on utility rates and use. Estimated energy cost based on a national average electricity cost of 12 cents per kWh.

** Noise output – according to EN 60704-3



German Engineering: Our superior products offer premium quality, cutting edge design and innovative features that fit your busy lifestyle. Exclusive components and materials, along with the latest production processes, ensure energy efficiency and performance for years to come.



Energy Star: Liebherr refrigerators help produce less energy waste and greenhouse gas emissions with the goal of having the least damaging effect on the environment, while offering solutions that help consumers conserve energy.



DuoCooling: The dual refrigeration system creates optimal conditions in both the refrigerator and freezer which lengthens the shelf life of food items for a healthier lifestyle. This technology also preserves the flavor and texture of foods since there is no transfer of unwanted air, moisture or food aroma between the two compartments.



SuperQuiet: Noise is kept to a minimum with virtually silent, speed controlled compressors and a low-noise cooling circuit; while also ensuring exact performance, energy efficiency and SuperQuiet operation.



Precision Electronics: The precise electronic controls have a digital temperature display and are easy to use, via either a touch screen interface or electronic keys depending on the model.



GlassLine: The elegant yet tough GlassLine shelves are scratch resistant and easy to clean as well as dishwasher safe. The space-saving shelves are designed for organization and are completely adjustable to suit your needs and the contents of the refrigerator. Additionally, the lighting shines through for a brighter interior.



FrostSafe Drawers: The removable FrostSafe Drawers create flexible storage space that can easily expand to accommodate larger items. Advantageously, this spacious and practical transparent drawer system helps you fit more as well as maintain temperature by keeping cold air from escaping when the door is open.



LED: The LED lighting housing is integrated into the side of the inner compartment and its central position provides optimal illumination. Flush integration guarantees a greater net capacity and more storage space.



Transparent vegetable bins: Transparent vegetable bins provide plenty of space for organizing fruit and vegetables. In addition, they are easy to clean.