

SHARP | Simply Better Living

24" bT Microwave Drawer™

1.2
CU.FT.

950
WATTS

SMD2489ESC

Sharp Kitchen Application for iOS and Android™ Devices

"Easy Wave Open" for Quick, Touchless Opening of The Microwave Drawer™

Concealed, Glass, Touch Controls are Easy-to-See and Operate at a Convenient 45° Angle

Modern Edge-to-Edge Black Glass with Convenient Viewing Window

Includes Built-In Airflow Control for Flush Mounting



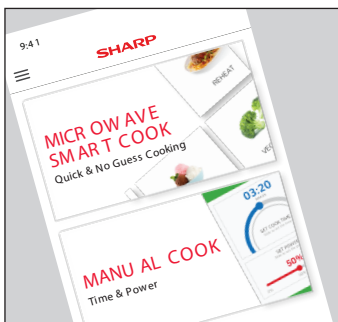
INTRODUCING THE WORLD'S FIRST SMART MICRO-WAVE

The Sharp SMD2489ESC is the first, built-in Microwave Drawer™ with wifi connectivity for seamless integration with your modern, smart home. Download the Sharp Kitchen app to enable the smart features.

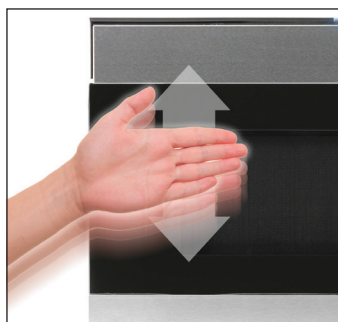
The SMD2489ESC Sharp Microwave Drawer™ features Built-In Airflow venting. Now you can choose the traditional "proud mount" installation or flush mounting for a streamlined finish without additional trim-kits or vent deflectors.

With our Easy Wave Open feature for touchless operation, simply wave up-and-down near the motion sensor and the Microwave Drawer™ will glide open. With the touch of a button or a gentle nudge, our patented Easy Touch Automatic Drawer System smoothly closes the oven to avoid messy spills. The SMD2489ESC Sharp® Microwave Drawer™ stays closed when you walk by, so children and pets won't accidentally open it.

The concealed, glass, Touch Control panel is easy-to-see and operate at a convenient 45° angle, keeping all of the controls at your fingertips when you need them, and completely out of sight when you don't. The modern, edge-to-edge, black glass and stainless steel design with bright, LED interior lighting and stylish floor pattern compliments your kitchen and pairs beautifully with other stainless steel appliances.



SHARP KITCHEN MOBILE APPLICATION keeps you in control.



EASY WAVE OPEN lends a helping hand, even if your hands are full.



GENEROUS 17" x 16" interior is perfect for platters, casseroles & serving bowls.



PEDESTAL ACCESSORY slides under the counter for hassle-free installs.

SHARP ELECTRONICS OF CANADA LTD.
335 Britannia Road East, MISSISSAUGA, ONTARIO L4Z 1W9
Tel: 905-568-7140. www.sharp.ca

SHARP
Be Original.

SHARP | Simply Better Living

24" IoT Microwave Drawer™

SMD2489ESC



SPECIFICATIONS

FEATURES

Finish	Stainless Steel, Black Glass
Drawer Opening	Mobile App, "Easy Wave Open" Motion Sensor or Open/Close Button
Width	24"
Capacity (cu. ft.)	1.2
Output Power (watts)	950
Interior Light	LED
Timer/Settings	Yes
Open/Close	Yes
Start/+30 Sec	Yes
Stop/Clear	Yes
Power Level	11
Clock	Yes
Multi-Stage Cooking	4
Control Lock	Yes
Demo Mode	Yes
Microwave ON Indicator	Yes
End of Cooking Reminder	Yes
Auto Start	Yes
Standby Mode	Yes

CONTROL PANEL

Control Panel Location	Center/Top
Control Panel Type	Glass Touch, Drop-Down 45° Angle
Display Type	LCD
Display Colour	White on Black Background

COOKING / MENU PRESETS

Popcorn	Sensor
Reheat	Sensor
Defrost Settings	Ground Meat, Steaks/Chops, Boneless Poultry, Bone-in Poultry, Roast, Casserole or Soup
Sensor Cook	Baked Potatoes, Sweet Potatoes, Fish/Seafood, Brown Rice, White Rice, Quick Fresh Vegetables, Longer Fresh Vegetables, Steamer Bags, Frozen Vegetables, Ground Meat, Frozen Entrées
Melt, Soft & Warm Options	Butter, Chocolate, Ice Cream, Cream Cheese, Syrup, Dessert Topping
Other Menus	Beverage Reheat, Hot Water, Hot Cereal

ADDITIONAL FEATURES

Mobile Application	Yes, available for iOS and Android
Voice Control	Yes, home assistant, not included.
WiFi Connectivity	Yes
Oven Floor	Patterned Glass
Flush Mount Ready	Yes, Vent Built into the Bottom

OPTIONAL ACCESSORIES

Product Name	Extension Kit for 30" Width
Model	SKMD30E9ES
Colour	Stainless Steel with Black Glass
UPC	074000621039

Product Name	Drawer Pedestal
Model	SKMD24U0ES
Colour	Stainless Steel or Custom Panel Ready
UPC	074000620865

ADDITIONAL SPECIFICATIONS

Power Source	120V, 60Hz / 14.5A / 1.67 KW
--------------	------------------------------

DIMENSIONS & WEIGHT (in./lbs.) (w x h x d)

Cavity Interior (w x h x d)	17-5/16" x 7-1/8" x 16-9/16"
Product Dimensions	23-5/8" x 16.0" x 23-7/16"
Shipping Dimensions	29-1/4" x 21-1/2" x 27-7/8"
Product Weight / Shipping Weight	74.0 lbs. / 85.8 lbs.
Standard Mount Cutout Dimensions	22-1/8" x 15-9/16" x 23-1/2"
Flush Mount Cutout Dimensions	23-7/8" x 16-1/4" x 23-1/2"

WARRANTY/UPC

Parts	1 year
Labour	1 year
Magnetron Tube	5 years (parts only)
UPC	074000620896

Internal capacity calculated by measuring maximum width, depth and height. Actual capacity for holding food is less.

Product specifications and design are subject to change without notice.

© 2020 Sharp Electronics of Canada Ltd. All rights reserved.

Sharp, Microwave Drawer, Supersteam+, Healsio, Plasmacluster and all related trademarks are trademarks or registered trademarks of Sharp Corporation and/or its affiliated companies. All other trademarks are property of their respective owners.

SIMPLY BETTER LIVING

At Sharp Electronics of Canada, we are committed to Simply Better Living. Our innovative home appliance products are SIMPLE to use, BETTER than the competition, and encourage a HEALTHY LIFESTYLE.

SHARP ELECTRONICS OF CANADA LTD.
335 Britannia Road East, MISSISSAUGA, ONTARIO L4Z 1W9
Tel: 905-568-7140. www.sharp.ca



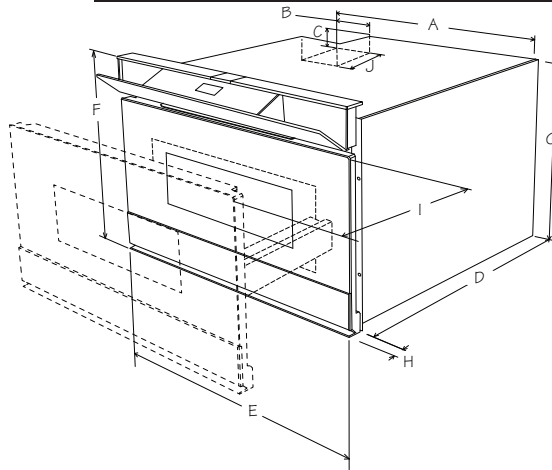
SHARP
Be Original.

SMD2489ESC

The following are measurements only. Do not use to install microwave drawer.

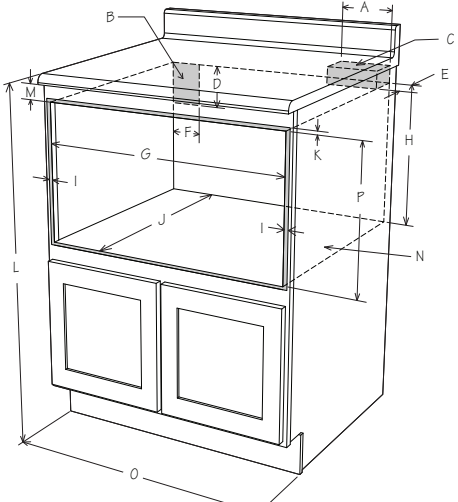
For detailed installation instructions, please refer to the installation manual

24" MICROWAVE DRAWER PRODUCT DIMENSIONS



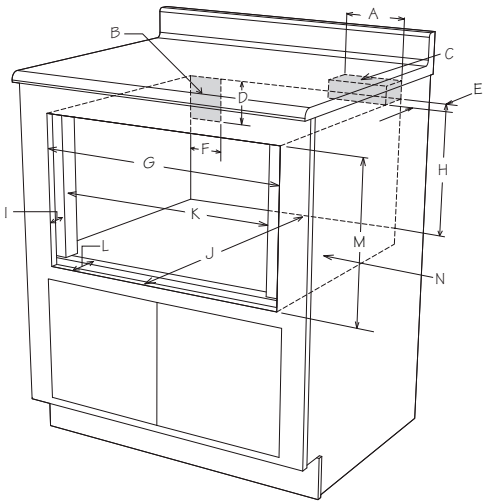
- A. 21-5/8" (549.28 mm)
- B. 4-11/16" (119.06 mm)
- C. 1-3/4" (44.45 mm)
- D. 21-7/8" (555.63 mm)
- E. 23-5/8" (600.07 mm)
- F. 16" (406.4 mm)
- G. 14-19/32" (370.68 mm)
- H. 1-17/32" (38.89 mm) door thickness
- I. 15" (381 mm) auto drawer opening
- J. 4" (101 mm)

24" MICROWAVE DRAWER STANDARD MOUNT MEASUREMENTS



- A. 6" (152.40 mm)
- B. Suggested electrical outlet location
- C. Anti-Tip block
- D. 5" (127 mm)
- E. 3-1/2" (88.90 mm)
- F. 4" (101.60 mm)
- G. 22-1/8" (561.97 mm) opening
- H. 14-13/16" (376.24 mm) to bottom of Anti-Tip block
- I. Allow 7/8" (22.22 mm) overlap
- J. 23-1/2" (596.90 mm) min. depth
- K. Allow 7/16" (11.11 mm) overlap
- L. 36" (914.40 mm) countertop height
- M. Allow 7/16" (11.11 mm) min. space
- N. Floor must support 100 lb/45.4 kg
- O. 24" (609.60 mm) cabinet min.
- P. 15-9/16" (395.29 mm) opening

24" MICROWAVE DRAWER FLUSH MOUNT MEASUREMENTS



- A. 6" (152.40 mm)
- B. Suggested electrical outlet location
- C. Anti-Tip block
- D. 5" (127 mm)
- E. 3-1/2" (88.90 mm)
- F. 4" (101.60 mm)
- G. 23-7/8" (606.43 mm)
- H. 14-13/16" (376.24 mm) to bottom of Anti-Tip block
- I. 1-17/32" (38.89 mm)
- J. 23-1/2" (596.90 mm) min. depth
- K. 22-1/8" (561.97 mm)
- L. 1-17/32" (38.89 mm) to front of shelf
- M. 16-1/4" (412.75 mm) opening
- N. Floor must support 100 lb (45.4 kg)

SIMPLY BETTER LIVING

At Sharp Electronics of Canada, we are committed to Simply Better Living. Our innovative home appliance products are SIMPLE to use, BETTER than the competition, and encourage a HEALTHY LIFESTYLE.