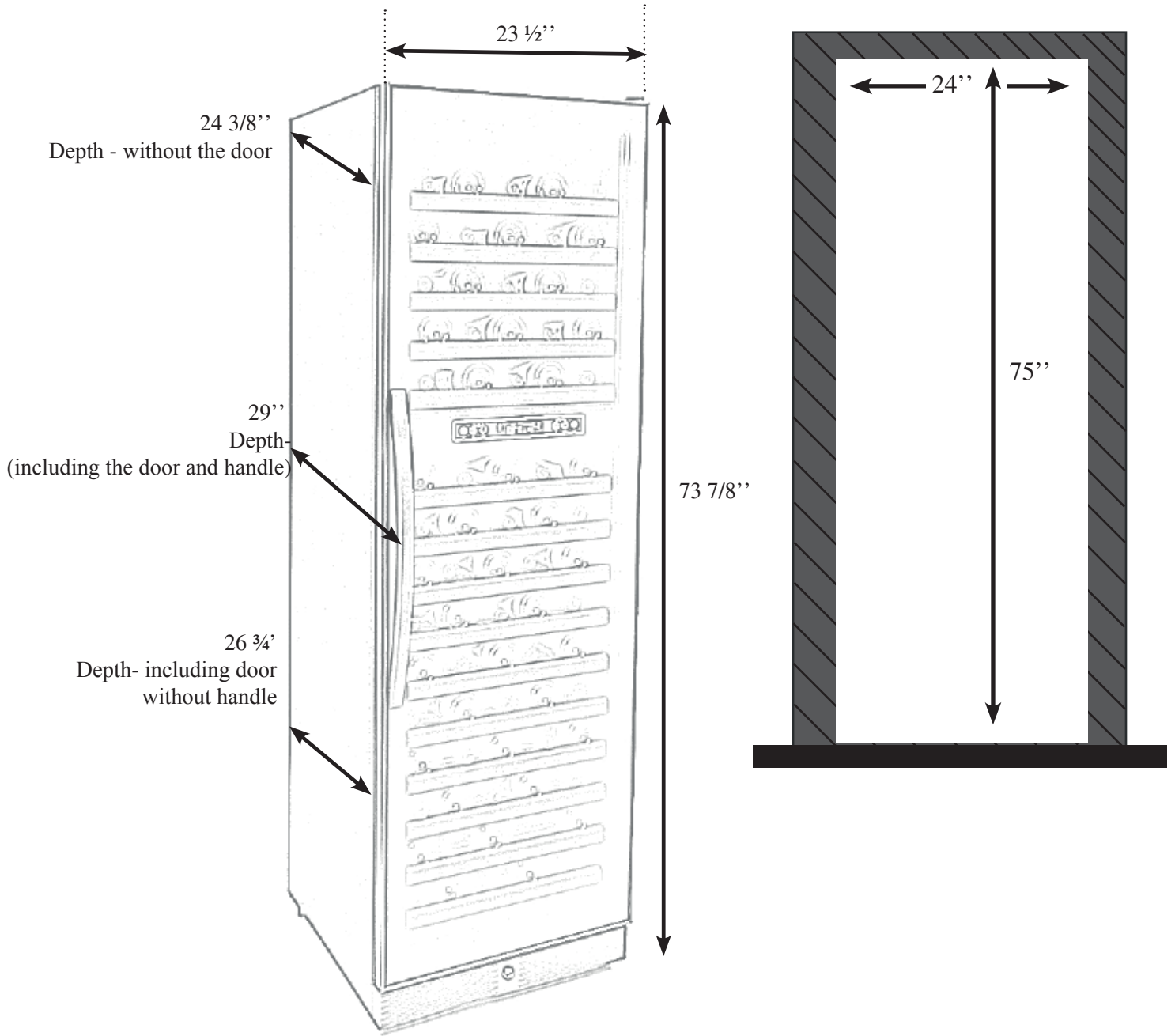


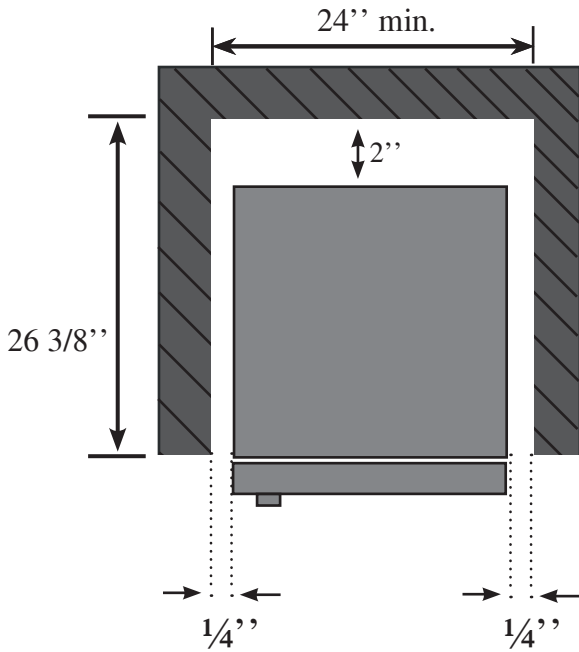


Dimensions	
Width (in.)	23 1/2"
Depth (in.)	26 3/4"
Height (in.)	73 7/8"
Exterior Appearance	
Color Appearance	Stainless Steel
Handle Type	Curved
Installation Type	Freestanding or Built-In
Kick Plate	Stainless Steel
Capacity	
Total Capacity	168 Bottles
Features	
Temperature zone(s)	2
Adjustable Temperature	10-18°C (lower zone) 5-10°C (upper zone)
Built-in	Yes
Charcoal Filter	Yes
Configuration	Single Door
Control Type	Soft touch electronic control
Door Lock	Yes
Door opening orientation	To the Right
Interior lighting	Blue LED
Leveling legs	Yes
Shelves extension	On ball bearings
Shelves type	Wooden shelves   Stainless steel frontage
Wine racks	16 Wooden Racks with Stainless Steel Frontage
Electrical Requirements	
Volts; Hertz; Amps	120V / 60 Hz / 15 amp
Warranty	
2 Year full Warranty	Entire appliance; parts and labour, in-home service
3-year total warranty	Compressor only

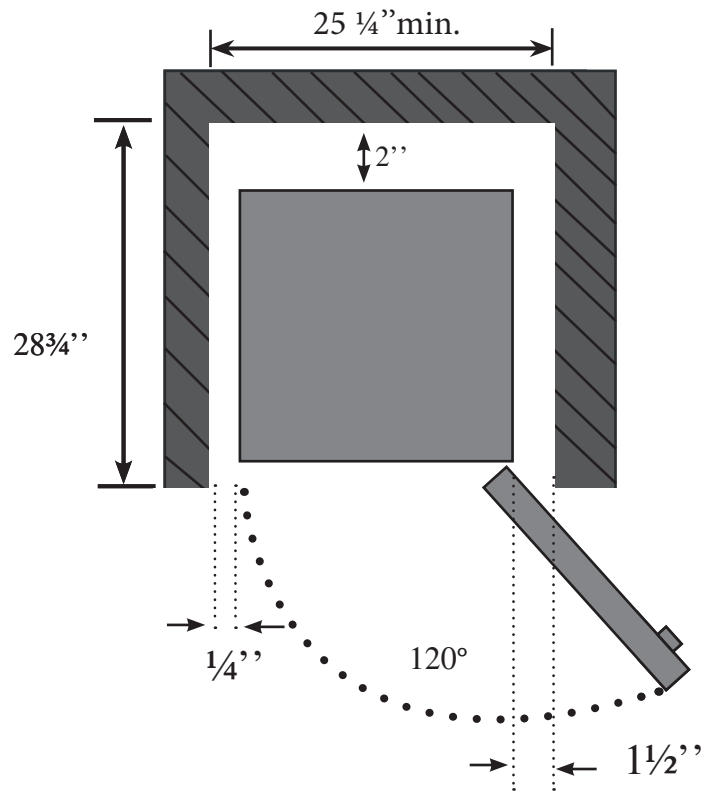


Type of installation

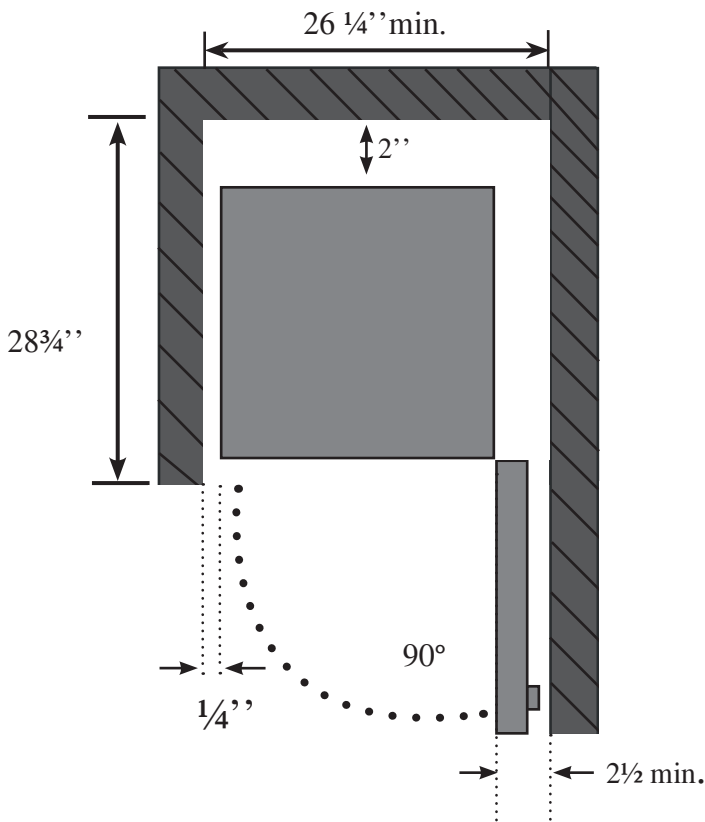
Flush installation with cellar frame



Flush door with cabinet  
Door opening at 120°



Flush door with cabinet  
Door opening at 90°



*The information contained on this technical sheet is based on sources believed to be reliable, but cannot be guaranteed and may be incomplete or changed without notice.*