

With over 130 years of experience in making cooking equipment, it is no surprise that BlueStar makes the finest residential gas wall ovens available. The unparalleled accuracy and versatility found in the baking and roasting qualities of our convection oven make this an unsurpassed addition to every home chef's kitchen.

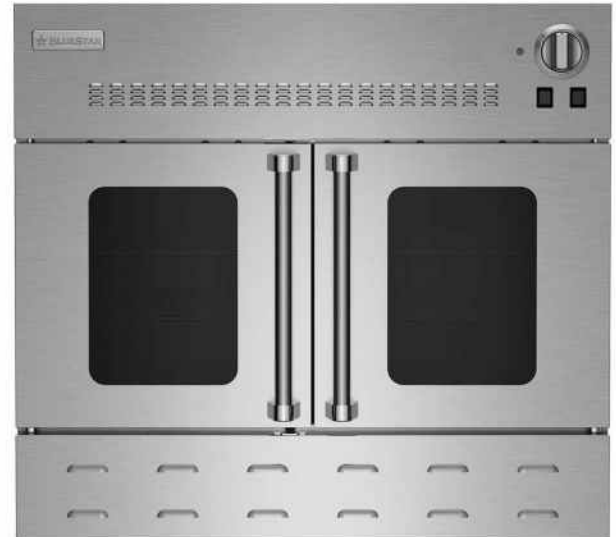
PRODUCT FEATURES

- Extra-large oven capacity with a French door design
- Available in single or stackable versions
- Powerful 25,000 BTU burner within each oven
- Heat assist element standard for quick start-ups and 3,000 BTUs of additional power
- 1850° infrared broiler
- Convection oven that accommodates a full-size 18" x 26" baking sheet
- Over 750+ color and finish options

SPECIFICATIONS

Single Oven Dimensions: 36"W x 26"D x 32.75"H
 Double Oven Dimensions: 36"W x 26"D x 65 1/2"H
 Oven Interior: 29"W x 20"D x 15"H
 Oven Burner Rating: 25,000 BTUs
 Oven Heat Assist Element: 3,000 BTUs
 Infrared Broiler Rating: 15,000 BTUs
 Electrical Requirements: 120V, 60Hz, 15 AMPs, 1 PH
 (Unit must be on a Non-GFI, dedicated outlet)
 Operating Gas Pressure: NAT: 5.0" WC, LP: 10.0" WC
 Gas Line Size: 1/2"

Note: For French door models: Unit should be installed at least 6" from side wall to allow for proper operation.



MODEL CONFIGURATION

Single Gas Wall Oven

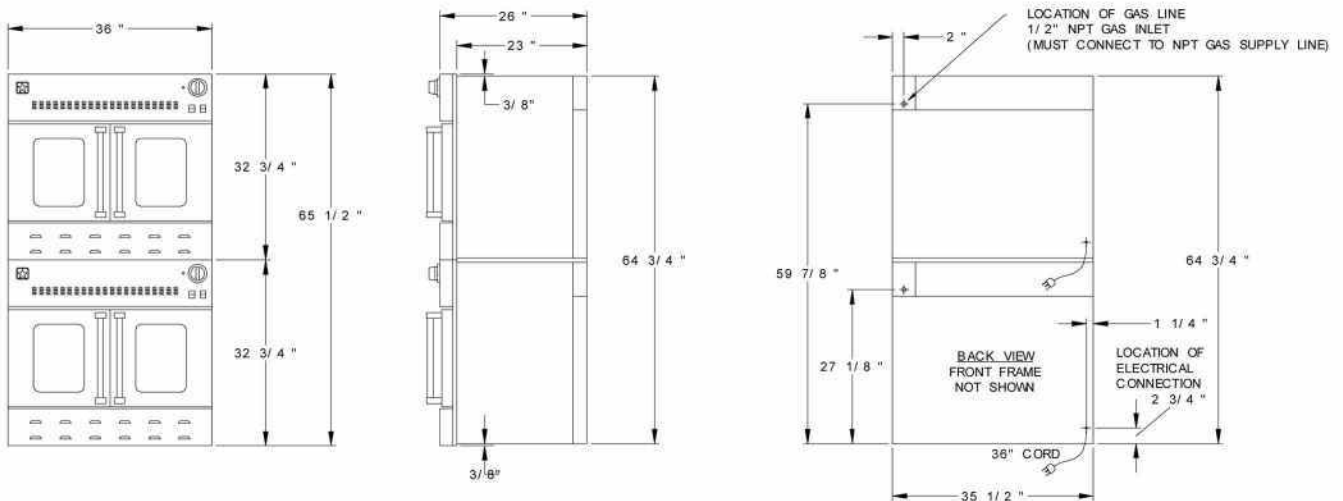
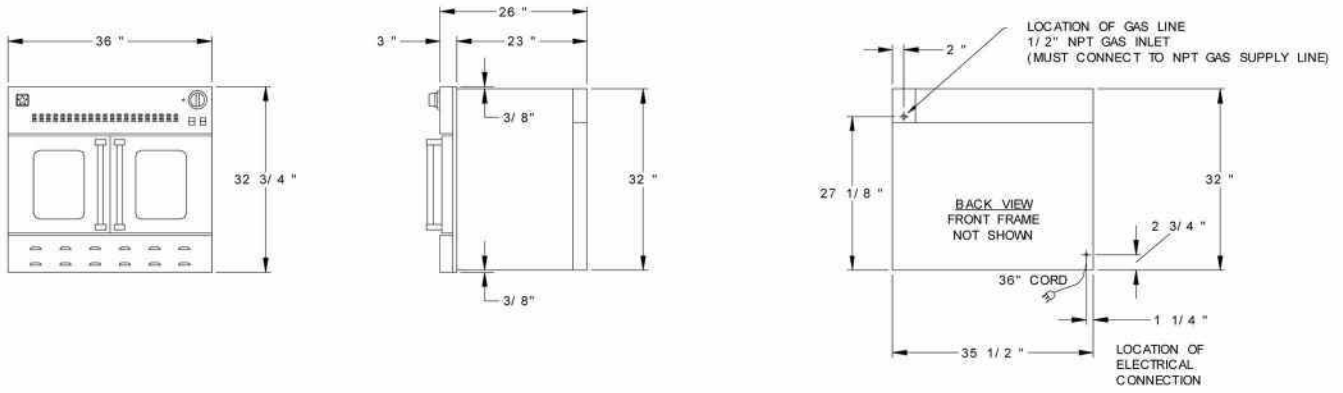
BW036AGS

For Double Gas Wall Oven configuration, order two Single Gas Wall Ovens and a 36" Gas Wall Oven stacking kit (BWOSTK-36).

ADDITIONAL CUSTOMIZATION OPTIONS

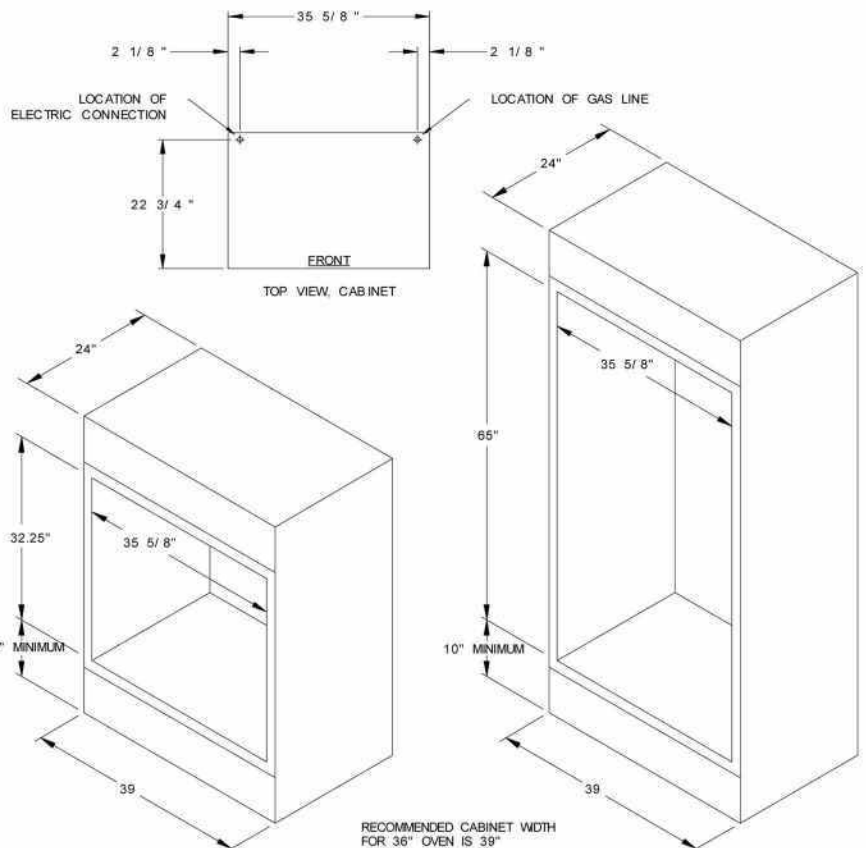
- 750+ color options
- Knob colors
- Trim options

All specifications subject to change without notice. Visit www.bluestarcooking.com prior to site preparation or installation.



SPECIFICATIONS:

- OVEN INTERIOR: 29"W x 20"D x 15"H
- OVEN BURNER RATING: 25,000 BTU
- OVEN INFRARED BROILER RATING: 15,000 BTU
- OVEN HEAT ASSIST ELEMENT: 3,000 BTU
- EACH OVEN ELECTRICAL REQUIREMENTS: 120V, 60HZ, 15 AMPS, 1 PH (UNIT MUST BE ON A NON-GFI, DEDICATED OUTLET)
- OPERATING GAS PRESSURE: NAT: 5.0" WC
LP: 10.0" WC



VISIT www.bluestarcooking.com FOR CUSTOM CONFIGURATIONS

File: 2018_BVD36AGS.dwg

RECOMMENDED CABINET WIDTH FOR 36" OVEN IS 39"

CLEARANCES