
Use, Care and Installation Guide

Guide d'utilisation, d'entretien et d'installation

Guía de instalación, uso y mantenimiento

Wall Range Hoods



Models
SUM1 – SUM6

*** BEFORE INSTALLATION ***

ENSURE THERE IS NO VISIBLE OR HIDDEN DAMAGE SUSTAINED DURING SHIPPING

*** AVANT DE L'UTILISATION ***

VÉRIFIEZ QUE L'APPAREIL N'A SUBI AUCUN DOMMAGE VISIBLE OU CACHÉ PENDANT LE TRANSPORT

*** ANTES DE LA INSTALACIÓN ***

ASEGURARSE DE QUE EL PRODUCTO NO HAYA SUFRIDO DAÑOS VISIBLES O NO VISIBLES DURANTE EL TRANSPORTE

*** SHIPPING DAMAGE ***

MUST BE REPORTED WITHIN 5 DAYS OF RECEIPT

*** TOUT DOMMAGE CAUSÉ PENDANT LE TRANSPORT ***

DOIT ÊTRE COMMUNIQUÉ DANS LES 5 JOURS SUIVANT LA RÉCEPTION DE L'APPAREIL

*** CUALQUIER DAÑO DEBIDO AL TRANSPORTE ***

TIENE QUE SER NOTIFICADO A MÁS TARDAR 5 DÍAS DESPUÉS DE HABER RECIBIDO EL PRODUCTO

IMPORTANT: READ AND SAVE THESE INSTRUCTIONS.

FOR RESIDENTIAL USE ONLY.

IMPORTANT : LIRE ET CONSERVER CES INSTRUCTIONS.

POUR UTILISATION RÉSIDENNELLE UNIQUEMENT.

IMPORTANTE: LEER Y GUARDAR ESTE MANUAL DE INSTRUCCIONES.

SÓLO PARA USO DOMÉSTICO

 **elica**

IMPORTANT SAFETY INSTRUCTIONS

WARNING: TO REDUCE THE RISK OF FIRE, ELECTRIC SHOCK, OR INJURY TO PERSONS, OBSERVE THE FOLLOWING:

- Use this unit only in the manner intended by the manufacturer. If you have questions, contact the manufacturer.
 - Before servicing or cleaning the unit, switch power off at service panel and lock the service disconnecting means to prevent power from being switched on accidentally. When the service disconnecting means cannot be locked, securely fasten a prominent warning device, such as a tag, to the service panel.
 - Installation work and electrical wiring must be done by qualified person(s) in accordance with all applicable codes and standards, including fire-rated construction.
 - Do not operate any fan with a damaged cord or plug. Discard fan or return to an authorized service facility for examination and/or repair.
 - Sufficient air is needed for proper combustion and exhausting of gases through the flue (chimney) of fuel burning equipment to prevent backdrafting. Follow the heating equipment manufacturer's guideline and safety standards such as those published by the National Fire Protection Association (NFPA), the American Society for Heating, Refrigeration and Air Conditioning Engineers (ASHRAE), and the local code authorities.
 - When cutting or drilling into wall or ceiling; do not damage electrical wiring and other utilities.
 - Ducted fans must always be vented outdoors.
- CAUTION:** For general ventilating use only. Do not use to exhaust hazardous or explosive materials and vapors.
- CAUTION:** To reduce risk of fire and to properly exhaust air, be sure to duct air outside - do not vent exhaust air into spaces within walls or ceilings, attics or into crawl spaces, or garages.
- WARNING:** TO REDUCE THE RISK OF FIRE, USE ONLY METAL DUCTWORK.

WARNING: TO REDUCE THE RISK OF A RANGE TOP GREASE FIRE:

- Never leave surface units unattended at high settings. Boilovers cause smoking and greasy spillovers that may ignite. Heat oils slowly on low or medium settings.
- Always turn hood ON when cooking at high heat or when flambeing food (i.e. Crepes Suzette, Cherries Jubilee, Peppercorn Beef Flambé).
- Clean ventilating fans frequently. Grease should not be allowed to accumulate on fan or filter.
- Use proper pan size. Always use cookware appropriate for the size of the surface element.

WARNING: TO REDUCE THE RISK OF INJURY TO PERSONS IN THE EVENT OF A RANGE TOP GREASE FIRE, OBSERVE THE FOLLOWING: (a)

- SMOTHER FLAMES with a close fitting lid, cookie sheet, or metal tray, then turn off the burner. BE CAREFUL TO PREVENT BURNS. If the flames do not go out immediately, EVACUATE AND CALL THE FIRE DEPARTMENT.
 - NEVER PICK UP A FLAMING PAN - you may be burned.
 - DO NOT USE WATER, including wet dishcloths or towels - a violent steam explosion will result.
 - Use an extinguisher ONLY if:
 - You know you have a class ABC extinguisher, and you already know how to operate it.
 - The fire is small and contained in the area where it started.
 - The fire department is being called.
 - You can fight the fire with your back to an exit.
- (a) Based on "Kitchen Fire Safety Tips" published by NFPA.
- **WARNING:** To reduce the risk of fire or electrical shock, do not use this fan with any solid-state speed control device.

READ AND SAVE THESE INSTRUCTIONS

WARNING

Thank you for purchasing a Elica Range Hood.
Please read all the instructions in this manual before installing
the appliance.

Save these instructions for future reference.

Only use this appliance as an exhaust ventilation system for the removal of cooking vapors. **DO NOT** use to expel flammable substances or any other materials or vapors.

The installation procedures in this manual are intended for qualified installers, service technicians or persons with similar qualified background. **DO NOT** attempt to install this appliance yourself.

Ensure that electrical power is turned off at source before commencing installation. All electrical wiring must be properly installed, insulated and grounded and conform to all applicable codes and standards.

Make sure all existing duct work is clean of grease build up, or duct work should be replaced, if necessary, to avoid the possibility of a grease fire. Check all joints on ductwork to ensure proper connection and all joints should be properly taped. Be careful when cutting through ceilings or walls not to damage any hidden pipes or electrical wiring. Ensure your kitchen has sufficient air return vents to replace the exhausted air.

Fan ducts should always be vented to the outside of your home and never into spaces within walls, ceilings, lofts or attics. Only use rigid, smooth steel for ducting. The exhaust point of the blower requires a 6" round connection.

TABLE OF CONTENTS

Warnings	6
Useful warnings	6
Warnings	6
SUM1	7
Types of installation	7
Installation of the appliance	8
Connection of the pipes	8
Electrical connection of the hood SEM1	8
SUM6	9
Warning	9
Installation	9
Connection of the pipes	10
Electrical connection to the hood	10
Installation of the external carter	10
WARRANTY	11

Warnings!

The air outlet of the appliance must not be connected to a flue which is used for exhausting

other fumes from appliances, such as a central heating, boilers etc..

For the external exhausting of the fumes, comply with the regulations in force.

Ventilate the room suitably according to the laws in force when the appliance is working together with gas, oil or coal burning appliances, at the same time.

The motor of the peripheral exhausting group is powered by the cooker-hood placed in the kitchen.

Before connecting the cooker hood to the mains supply, make sure that the voltage indicated in the rating plate corresponds to the mains voltage in the home.

Before carrying out any sort of maintenance or cleaning operation, make sure that the appliance is disconnected from the electrical mains.

An appropriate maintenance ensures a good working and a good performance in the long run.

Useful warnings:

- Use an air outlet pipe with a maximum length not higher than 5 meters.
- Limit the number of bends in the exhausting pipe as every bend reduces the performance up to one linear meter. (If you use 2 90° bends, than the length of the pipe has not to be higher than 3 meters).
- The material for the pipe has to be approved by an authorized company.
- It is important to avoid changes in the diameter (we recommend a diameter of 150mm).
- Read carefully the manual of instructions and installation of the unit.
- Elica will not be responsible for problems of capacity and/ or noise level due to the missed respect of the warnings included in the manual of instructions.
- SEM6 are equipped with a 200mm diameter hole for the exhausting pipe. If the unit that has to be connected to the remote fan is already equipped with a 200mm diameter hole, the unit is recommended to use a pipe with the same diameter in order to get good performances. Otherwise, if the unit is equipped with a 150mm diameter hole, than it is recommended to use the joint (from 200mm to 150mm), already supplied with the unit.

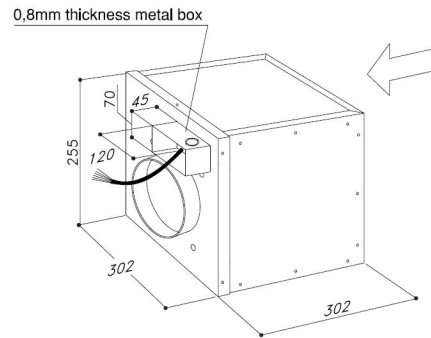
The electric box cable should not be cut or joined together with other cables, since it could compromise the proper working and the safety conditions of the appliance. Furthermore, this will invalidate the manufacturer's warranty coverage.

Warnings!

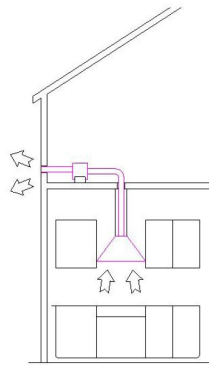
The SEM6 suction centrals can be connected to any other products from the same manufacturer if they are equipped with the External Motor version.

The manufacturer cannot be held responsible for damages caused by a different use.

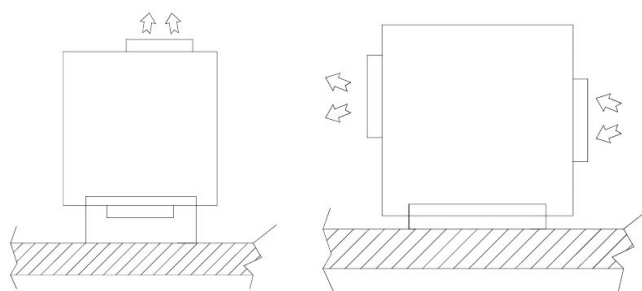
SUM1



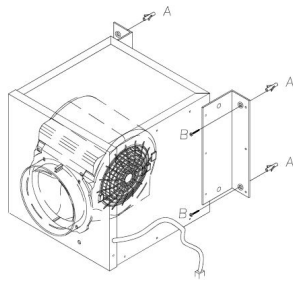
The appliance is designed to exhaust fumes and odours very silently and in the best way. It must be installed in the house and connected to the cooker-hood, which is in the kitchen fig.1.



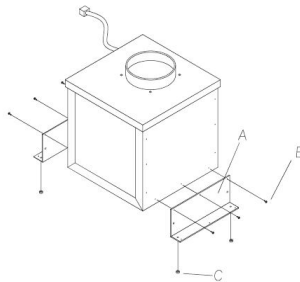
Types of installation: to make the installation easy, the appliance can be fixed on the wall, on the ceiling or on the floor in a horizontal position fig.2 or vertically fig. 3 to the fixing level.



Note: in the vertical fixing, the brackets supplied can be used only on the longest side fig. 4.



Installation of the appliance: after deciding the position and the type of installation, insert the anti-vibration rubber caps in the holes of the brackets supplied fig. 5C.

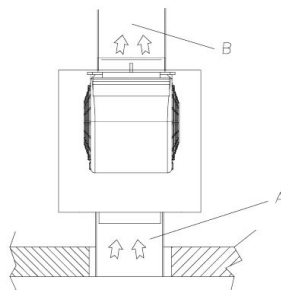


The rubber caps must be put on the sides which are in contact with the wall.

Put the brackets (fig. 5A) on the remote fitted extraction motor by matching its holes with those of the brackets. Fix with the screws supplied (fig. 5B).

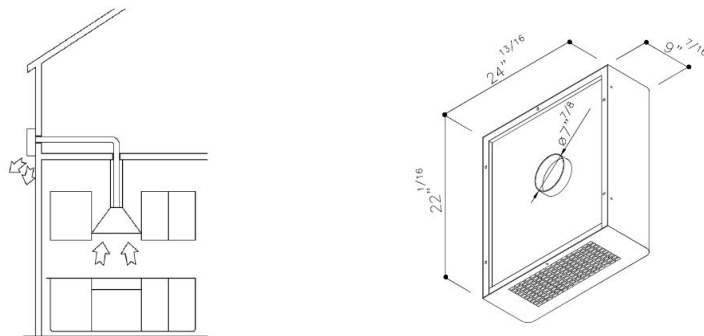
Put the group on the point previously chosen for the installation and mark the points on the wall where the holes must be drilled. Insert the dowels supplied in the holes (fig. 4A). Put the remote fitted extraction motor on the wall by matching the holes of the brackets with the plastic dowels. Screw with the screws supplied (fig. 4B).

Connection of the pipes: the appliance is endowed with an entrance and an outlet to connect the pipes. Before connecting the exhaust pipes, check the direction of the air showed on the external label (fig. 6). Connect the pipes and fix them with appropriate metal clamps (exhaust pipes and metal clamps have to be supplied by the installer). The pipe (fig. 6A) must be connected with the cooker-hood placed in the kitchen, and the pipe (fig. 6B) must be directed outside the building.



Electrical connection of the hood SEM1: **the appliance is equipped with a 7m electrical cable with a six-pin connection at one end. Insert it into the hood's connection (External Motor version).**

SUM6



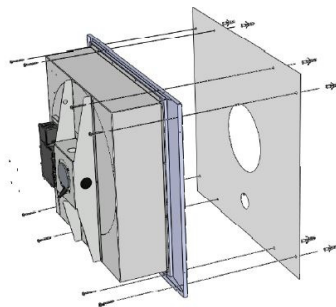
Warning!

The remote fitted exhausting group (external motor) is built in class I plate, therefore it needs the earth connection.

The appliance was designed to exhaust odors and vapors in the best way. The appliance is to be installed on the outside wall of the house and connected to the cooker-hood which is in the kitchen (fig. 1).

Installation:

the mounting of the appliance is to be made by qualified technicians. Using the appropriate drilling jig.

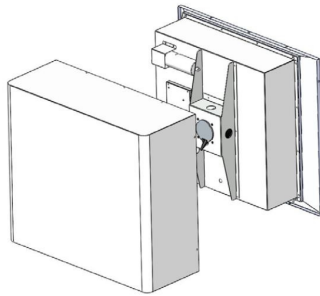


(fig. 2) drill all the holes marked on it into the external wall, by paying attention not to damage water pipes or power lines. The holes on the wall are to be drilled with a 8 mm. bit.

Insert, step by step, the following parts in the holes drilled:

- the corresponding plastic dowels supplied
- the two telescopic pipes in the hole of 200 mm.
- the plastic pipe of 40 mm. diameter.

Before leaning the appliance against the wall, please remove the stainless steel carter using the 8 perimetrical screws (fig. 3),



then insert the supply cord in the plastic pipe. Fix the appliance without the stainless steel external body, which was previously removed from the motor block, by matching the holes of the motor block with the holes on the wall. Tighten with the screws supplied.

Connection of the pipes:

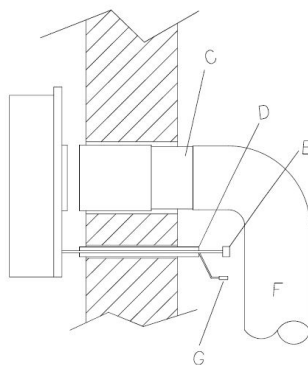
the appliance is endowed with an air entrance to be connected with the telescopic pipes and an air outlet. After fixing the appliance on the external wall, connect the two telescopic pipes (fig. C), which are placed inside the wall, with the cooker-hood through the flexible pipes.

The fixing operations have to be carried out by using suitable metallic tools (pipes and tools have to be supplied by the installers).

Electrical connection to the hood:

the unit is supplied with a pipe 7 meters long. After having let the cable pass through the plastic pipe (Fig. e) placed in the wall (fig. d), placed it closed to the unit and connect the 6 poles connector (Fig.e) and the 2 poles connector (Fig. g).

In order to avoid water infiltrations, please apply silicone on the product perimeter, close to the wall.



Installation of the external carter:

mount the aesthetic carter making sure that the grill will match with the block motor air outlet.

Warranty

***ELICA North America* TWO-YEARS LIMITED WARRANTY**

TO OBTAIN SERVICE UNDER WARRANTY

Owner must present proof of original purchase date. Please keep a copy of your dated proof of purchase (sales slip) in order to obtain service under warranty.

PARTS AND SERVICE WARRANTY

For the period of two (2) years from the date of the original purchase, Elica will provide free of charge, non consumable parts or components that failed due to manufacturing defects. During these two (2) years limited warranty, Elica will also provide free of charge, all labor and in-home service to replace any defective parts.

WHAT IS NOT COVERED

- Damage or failure to the product caused by accident or act of God, such as, flood, fire or earthquake.
- Damage or failure caused by modification of the product or use of non-genuine parts.
- Damage or failure to the product caused during delivery, handling or installation.
- Damage or failure to the product caused by operator abuse.
- Damage or failure to the product caused by dwelling fuse replacement or resetting of circuit breakers.
- Damage or failure caused by use of product in a commercial application.
- Service trips to dwelling to provide use or installation guidance.
- Light bulbs, metal or carbon filters and any other consumable part.
- Normal wear of finish.
- Wear to finish due to operator abuse, improper maintenance, use of corrosive or abrasive cleaning products/pads and oven cleaner products.

WHO IS COVERED

This warranty is extended to the original purchaser for products purchased for ordinary residential use in North America (Including the United States, Guam, Puerto Rico, US Virgin Islands & Canada).

This warranty is non-transferable and applies only to the original purchaser and does not extend to subsequent owners of the product. This warranty is made expressly in lieu of all other warranties, expressed or implied, including, but not limited to any implied warranty of merchantability or fitness for a particular purpose and all other obligations on the part of Elica North America, provided, however, that if the disclaimer of implied warranties is ineffective under applicable law, the duration of any implied warranty arising by operation of law shall be limited to two (2) years from the date of original purchase at retail or such longer period as may be required by applicable law.

This warranty does not cover any special, incidental and/or consequential damages, nor loss of profits, suffered by the original purchaser, its customers and/or the users of the Products.

WHO TO CONTACT

To obtain Service under Warranty or for any Service Related Question Please Call:

- Elica North America Authorized Service at (888) 732-8018
Or by Writing To:
- Elica North America, Attention Customer Service
6658 156th Avenue SE,
Bellevue, WA 98006 USA
infoamericas@elica.com

IMPORTANTES INSTRUCTIONS DE SÉCURITÉ

AVERTISSEMENT : POUR RÉDUIRE LE RISQUE D'INCENDIE, CHOC ÉLECTRIQUE OU DOMMAGES CORPORELS, RESPECTER LES INSTRUCTIONS SUIVANTES :

■ Utiliser cet appareil uniquement dans les applications envisagées par le fabricant. Pour toute question, contacter le fabricant.

■ Avant d'entreprendre un travail d'entretien ou de nettoyage, interrompre l'alimentation de la hotte au niveau du tableau de disjoncteurs, et verrouiller le tableau de disjoncteurs pour empêcher tout rétablissement accidentel de l'alimentation du circuit. Lorsqu'il n'est pas possible de verrouiller le tableau de disjoncteurs, placer sur le tableau de disjoncteurs une étiquette d'avertissement proéminente interdisant le rétablissement de l'alimentation.

■ Tout travail d'installation ou câblage électrique doit être réalisé par une personne qualifiée, dans le respect des prescriptions de tous les codes et normes applicables, y compris les codes du bâtiment et de protection contre les incendies.

■ Ne pas faire fonctionner un ventilateur dont le cordon ou la fiche est endommagé(e). Jeter le ventilateur ou le retourner à un centre de service agréé pour examen et/ou réparation.

■ Une source d'air de débit suffisant est nécessaire pour le fonctionnement correct de tout appareil à gaz (combustion et évacuation des gaz à combustion par la cheminée), pour qu'il n'y ait pas de reflux des gaz de combustion. Respecter les directives du fabricant de l'équipement de chauffage et les prescriptions des normes de sécurité - comme celles publiées par la National Fire Protection Association (NFPA) et l'American Society for Heating, Refrigeration and Air Conditioning Engineers (ASHRAE), et les prescriptions des autorités réglementaires locales.

■ Lors d'opérations de découpage et de perçage dans un mur ou un plafond, veiller à ne pas endommager les câblages électriques ou canalisations qui peuvent s'y trouver.

■ Les ventilateurs d'évacuation doivent toujours décharger l'air à l'extérieur.

MISE EN GARDE : Cet appareil est conçu uniquement pour la ventilation générale. Ne pas l'utiliser pour l'extraction de matières ou vapeurs dangereuses ou explosives.

MISE EN GARDE : Pour minimiser le risque d'incendie et évacuer adéquatement les gaz, veiller à acheminer l'air aspiré par un conduit jusqu'à l'extérieur - ne pas décharger l'air aspiré dans un espace vide du bâtiment comme une cavité murale, un plafond, un grenier, un vide sanitaire ou un garage.

AVERTISSEMENT : POUR RÉDUIRE LE RISQUE D'INCENDIE, UTILISER UNIQUEMENT DES CONDUITS MÉTALLIQUES.

AVERTISSEMENT : POUR MINIMISER LE RISQUE D'UN FEU DE GRAISSE SUR LA CUISINIÈRE :

■ Ne jamais laisser un élément de surface fonctionner à puissance de chauffage maximale sans surveillance. Un renversement/débordement de matière grasseuse pourrait provoquer une inflammation et la génération de fumée. Utiliser une puissance de chauffage moyenne ou basse pour le chauffage d'huile.

■ Veiller à toujours faire fonctionner le ventilateur de la hotte lors de la cuisson avec une puissance de chauffage élevée ou lors de la cuisson d'un mets à flamber (à savoir crêpes Suzette, cerise jubilee, steak au poivre flambé).

■ Nettoyer fréquemment les ventilateurs d'extraction. Veiller à ne pas laisser la graisse s'accumuler sur les surfaces du ventilateur ou des filtres.

■ Utiliser toujours un ustensile de taille appropriée. Utiliser toujours un ustensile adapté à la taille de l'élément chauffant.

AVERTISSEMENT : POUR RÉDUIRE LE RISQUE DE DOMMAGES CORPORELS APRÈS LE DÉCLENCHEMENT D'UN FEU DE GRAISSE SUR LA CUISINIÈRE, APPLIQUER LES RECOMMANDATIONS SUIVANTES : (a)

■ Placer sur le récipient un couvercle bien ajusté, une tôle à biscuits ou un plateau métallique POUR ÉTOUFFER LES FLAMMES, puis éteindre le brûleur. VEILLER À ÉVITER LES BRÛLURES. Si les flammes ne s'éteignent pas immédiatement, ÉVACUER LA PIÈCE ET APPELER LES POMPIERS.

■ NE JAMAIS PRENDRE EN MAIN UN RÉCIPENT ENFLAMMÉ - vous risquez de vous brûler.

■ NE PAS UTILISER D'EAU, ni un torchon humide - ceci pourrait provoquer une explosion de vapeur brûlante.

■ Utiliser un extincteur SEULEMENT si :

– Il s'agit d'un extincteur de classe ABC, dont on connaît le fonctionnement.

– Il s'agit d'un petit feu encore limité à l'endroit où il s'est déclaré.

– Les pompiers ont été contactés.

– Il est possible de garder le dos orienté vers une sortie pendant l'opération de lutte contre le feu.

(a) Recommandations tirées des conseils de sécurité en cas d'incendie de cuisine publiés par la NFPA.

■ **AVERTISSEMENT** : Pour réduire le risque d'incendie ou de choc électrique, ne pas utiliser ce ventilateur avec un quelconque dispositif de réglage de la vitesse à semi-conducteurs.

LIRE ET CONSERVER CES INSTRUCTIONS

AVERTISSEMENTS

Nous vous remercions d'avoir acheté une hotte Elica.

Veillez respecter attentivement toutes les instructions indiquées dans cette notice avant de procéder avec l'installation de la hotte.

Veillez conserver ces instructions pour un usage ultérieur.

Utilisez cet appareil exclusivement comme un système d'aspiration pour l'élimination de la vapeur se formant lors de la cuisson. **N'utilisez pas** l'appareil pour l'évacuation de substances inflammables ou tout autre matériel ou toute autre vapeur.

La procédure d'installation décrite dans cette notice est destinée à des installateurs professionnels qualifiés, à un personnel technique ou à des personnes ayant une formation similaire.

N'essayez pas à installer l'appareil par vous-mêmes.

Avant de commencer l'installation, assurez-vous que l'appareil est débranché du réseau électrique. Tous les câblages doivent être reliés de façon appropriée, isolés et mis à la terre conformément à toutes les lois et réglementations en vigueur.

Assurez-vous que toute la longueur du conduit est sans dépôts de graisse. Le cas échéant, remplacez le conduit afin d'éviter tout risque d'incendie dû à la présence de graisse. Vérifiez les joints du conduit afin d'assurer qu'il est bien monté et que tous les joints sont scellés avec du ruban adhésif. Soyez particulièrement prudent lorsque vous effectuez des trous dans les plafonds ou les parois pour ne pas endommager des tuyaux ou des câbles électriques cachés. Assurez-vous que la cuisine est pourvue d'un nombre de prises d'air suffisant pour le recyclage d'air.

L'air aspiré doit toujours être rejeté à l'extérieur de l'habitation, par conséquent le conduit ne doit jamais rejeter l'air à l'intérieur de murs, plafonds, greniers ou attiques. Utilisez seulement des conduits en acier rigide ou lisse. Le moteur est pourvu d'une sortie d'évacuation qui nécessite d'un raccord rond de 6".

INDEX

Avertissements	16
Avertissements utiles	16
Avertissements	16
SUM1	17
Modes d'installation	17
Installation de l'appareil	18
Montage des tuyaux	18
Branchement électrique SEM1 à la hotte	18
SUM6	19
Avertissements	19
Installation	19
Montage des tuyaux	20
Branchement électrique à la hotte	20
Installation du carter externe	20
GARANTIE	21

Avertissements !

La sortie d'air ne doit pas être reliée à un conduit utilisé pour évacuer les fumées produites par d'autres appareils, tel qu'un chauffage central, radiateurs, etc.

Pour l'évacuation des fumées vers l'extérieur, veuillez suivre les réglementations en vigueur.

Veuillez prévoir une aération suffisante du milieu, conformément aux réglementations en vigueur, lorsque vous utilisez la hotte simultanément avec d'autres appareils qui ne fonctionnent pas à l'électricité, tels que des poêles à gaz, huile ou charbon.

L'alimentation du moteur du groupe d'aspiration extérieur à lieu par la hotte placée dans la cuisine.

Avant de brancher la hotte au réseau électrique, assurez-vous que les valeurs de la tension indiquées sur la plaque de données techniques correspondent à celles de l'habitation.

Assurez-vous que l'appareil est débranché du réseau électrique avant d'effectuer toute sorte d'entretien ou nettoyage.

Un entretien soigné est une garantie de bon fonctionnement et de bon rendement de votre hotte dans le temps.

Avertissements utiles :

- Utilisez un tuyau d'évacuation d'air dont longueur maximale ne dépasse pas les 5 mètres.
- Limitez le nombre de coudes pour la canalisation, car chaque coude réduit le rendement d'aspiration d'un mètre linéaire. (Par exemple : si vous utilisez n. 2 coudes de 90°, la longueur de la canalisation ne doit pas dépasser les 3 mètres de longueur).
- Utilisez un conduit conçu en matériel conforme aux lois en vigueur.
- Il est important d'éviter de changer le diamètre (nous conseillons un diamètre de 150mm).
- Lisez attentivement le manuel d'utilisation et d'installation de l'appareil.
- Elica décline toute responsabilité en cas de problèmes de portée et/ou de bruit si les indications indiquées dans ce manuel ne sont pas respectées.
- Les appareils SEM6 sont pourvus d'une sortie d'évacuation d'air de 200mm. Au cas où la hotte à laquelle relier le groupe d'aspiration extérieur est pourvue d'une sortie d'air de 200mm, nous vous conseillons d'utiliser le conduit de 200mm pour une performance optimale. Au cas où la hotte est pourvue d'une sortie d'air de 150mm, utilisez le conduit approprié (de 200mm à 150mm) qui est fourni avec l'appareil.

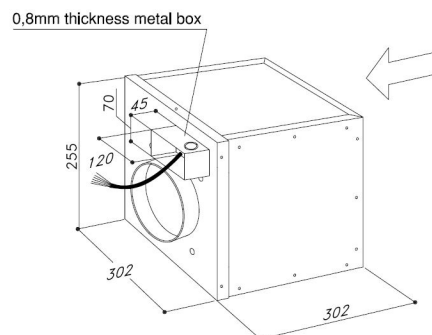
Le câble de la boîte d'alimentation électrique ne doit pas être coupé ou branché à d'autres câbles, car cela peut diminuer le bon fonctionnement et le niveau de sécurité de l'appareil. En outre, cela peut invalider la garantie du fabricant.

Avertissements !

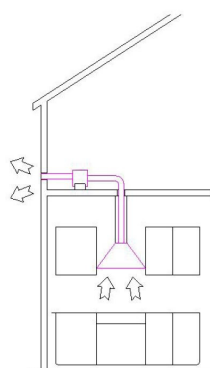
Les groupes d'aspiration à distance SEM6 peuvent être reliés à tout autre produit du même fabricant en cas de modèle External Motor (Moteur Extérieur).

Le fabricant décline toute responsabilité en cas de dommages causés par une utilisation inappropriée.

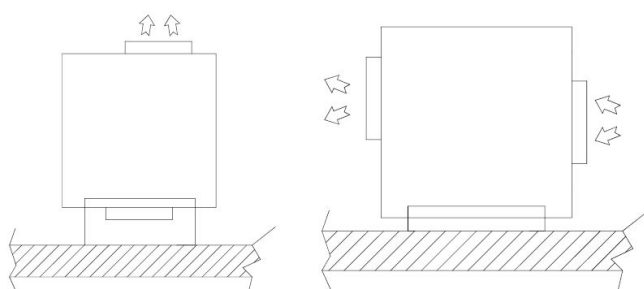
SUM1



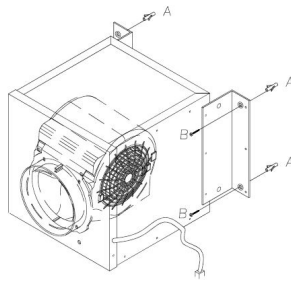
L'appareil a été conçu pour aspirer les vapeurs et les odeurs de façon optimale et extrêmement silencieuse. L'appareil doit être installé dans l'habitation et relié à la hotte située dans la cuisine, Fig.1.



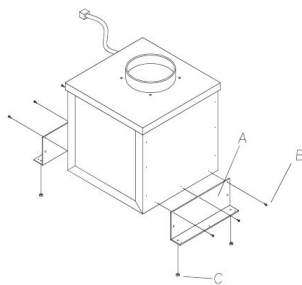
Modes d'installation : Pour faciliter les opérations d'installation, fixez l'appareil à la paroi, au plafond ou sur le sol en position horizontale (Fig.2) ou verticale (Fig.3) par rapport au plan de fixation.



Note : En cas de fixation verticale, utilisez les étriers fournis seulement du côté le plus long (Fig.4).



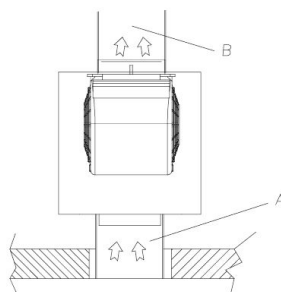
Installation de l'appareil : Après avoir établie la position et le mode de fixation, insérez les bouchons en caoutchouc anti-vibration dans les trous des étriers fournis (Fig.5C).



Insérez les bouchons en caoutchouc sur les côtés en contact avec la paroi.

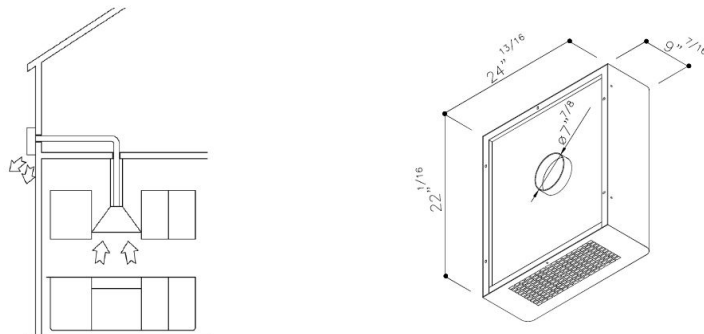
Placez les étriers (Fig.5) sur le groupe d'aspiration extérieur en faisant coïncider les trous de ce dernier avec ceux des étriers. Fixez avec les vis fournies (Fig.5B). Placez le groupe sur le point de fixation préalablement choisi et tracez sur la paroi où effectuer les trous. Insérez les tasseaux fournis dans les trous (Fig.4A). Placez le groupe d'aspiration extérieur sur la paroi faisant coïncider les trous des étriers avec ceux des tasseaux. Fixez avec les vis fournies (Fig.4B).

Montage des tuyaux : L'appareil est pourvu d'une entrée et d'une sortie pour le montage des tuyaux. Avant le montage des tuyaux pour l'évacuation, vérifiez la direction de l'air sur l'étiquette extérieure (Fig.6). Montez et puis fixez les tuyaux avec des bagues en métal (tuyaux et bagues sont fournis par l'installateur). Le tuyau (Fig.6A) doit être relié à la hotte qui se trouve dans la cuisine et être dirigé vers l'extérieur de l'immeuble.



Branchement électrique de SEM1 à la hotte : L'appareil est pourvu d'un câble électrique de 7 mètres ayant une prise à 6 pins sur une extrémité pour le branchement à la hotte (modèle External Motor).

SUM6



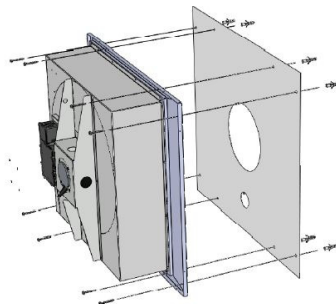
Avertissements !

Le groupe d'aspiration extérieur (moteur extérieur) est en classe I et par conséquent nécessite d'une mise à la terre.

L'appareil a été conçu pour aspirer les vapeurs et les odeurs de façon optimale et extrêmement silencieuse. L'appareil doit être installé dans l'habitation et relié à la hotte située dans la cuisine (Fig.1)

Installation :

L'installation de l'appareil doit être effectuée par un technicien qualifié. Utilisez le gabarit de perçage approprié.

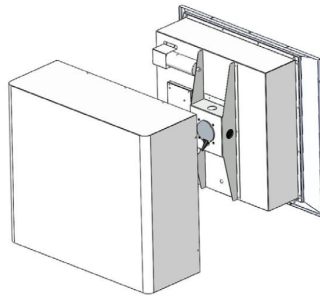


(Fig.2) Effectuez les trous indiqués par le gabarit sur la paroi extérieure en faisant attention à ne pas endommager les conduites d'eau ou les lignes électriques. Effectuez les trous avec une mèche de 8mm.

Insérez, l'un après l'autre, les éléments suivants dans les trous effectués :

- Les tasseaux en plastique fournis ;
- Les deux tuyaux télescopiques dans le trou de 200 mm.
- Le tuyau en plastique d'un diamètre de 40 mm.

Avant de placer l'appareil sur la paroi, enlevez le carter en acier en dévissant les 8 vis périmétrales (Fig.3).



Puis insérez le câble d'alimentation dans le tuyau en plastique. Fixez l'appareil sans son carter en acier, préalablement enlevé du bloc moteur, en faisant coïncider les trous du bloc moteur avec ceux de la paroi. Fixez en utilisant les vis fournies.

Montage des tuyaux :

L'appareil est pourvu d'une entrée d'air pour le montage des tuyaux télescopiques, et d'une sortie.

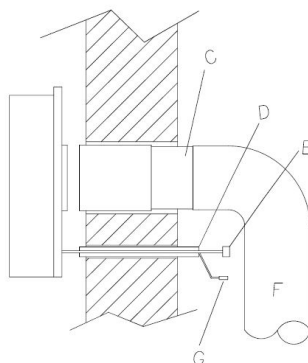
Après la fixation de l'appareil à la paroi extérieure, reliez les deux tuyaux télescopiques (Fig.C), qui se trouvent à l'intérieur du mur, à la hotte par les tuyaux flexibles.

Les opérations d'installation doivent être effectuées en utilisant des outils appropriés en métal (les tuyaux et les outils sont fournis par l'installateur).

Branchement électrique à la hotte :

L'appareil est pourvu d'un câble d'alimentation de 7 mètres. Après avoir passé le câble à travers le tuyau en plastique (Fig.e) placé dans le mur (Fig.d), approchez-le à la hotte et branchez le connecteur à 6 pôles (Fig.e) et celui à 2 pôles (Fig.g).

Afin d'éviter d'éventuelles infiltrations d'eau, appliquez de la silicone le long du périmètre de l'appareil, en proximité de la paroi.



Garantie

GARANTIE DE DEUX ANS **ELICA North America**

POUR OBTENIR UN DEPANNAGE SOUS GARANTIE

Le propriétaire doit présenter une preuve de la date d'achat. Garder une copie de votre preuve d'achat datée (ticket de caisse) de façon à pouvoir bénéficier du service après-vente sous garantie.

GARANTIE PIÈCES DE RECHANGE ET MAIN D'OEUVRE

Pendant une période de deux (2) ans à partir de la date d'achat, Elica s'engage à fournir gratuitement les pièces de rechange ou les composants autres que les recharges ayant des défauts de fabrication.

Durant cette garantie de deux (2) ans, Elica fournira également gratuitement, toute la main d'oeuvre et le service à domicile pour remplacer d'éventuelles pièces défectueuses.

CE QUE LA GARANTIE NE COUVRE PAS

- Dégât ou panne du produit causé par un accident ou un cas de force majeure tels que inondation, incendie ou tremblement de terre.
- Dégât ou panne du produit causé par modification du produit ou utilisation de pièces pas d'origine.
- Dégât ou panne du produit causé lors de la livraison, de la manipulation ou de l'installation.
- Dégât ou panne du produit causé par une mauvaise utilisation.
- Dégât ou panne du produit causé par un remplacement des fusibles ou une remise en fonction des disjoncteurs par le propriétaire.
- Dégât ou panne du produit causé par une utilisation du produit pour raison commerciale.
- Déplacement à domicile pour explication d'utilisation ou d'entretien.
- Ampoules, filtres métalliques ou au charbon et toute autre pièce consommable.
- Usure normale.
- Usure due à une mauvaise utilisation du propriétaire, un entretien incorrect, une utilisation de substances nettoyantes corrosives ou abrasives et produits de nettoyage pour four.

QUI EST COUVERT

Cette garantie s'étend à l'acheteur original de produits achetés pour un usage domestique habituel en Amérique du Nord (Y compris États Unis, Guam, Porto Rico, les Iles vierges Américaines & le Canada).

Cette garantie n'est pas transférable et vaut uniquement pour l'acheteur original et ne s'étend pas aux propriétaires successifs du produit. Cette garantie vaut expressément en lieu et place de toute autre garantie, expresse ou sous-entendue, mais ne limite pas toute autre garantie sous-entendue de marchandage ou adaptation dans un but particulier et toute autre obligation de la part de Elica North America, étant entendu, cependant, que si la réclamation pour garanties sous-entendues n'est pas applicable aux yeux de la loi en vigueur, la durée de toute garantie sous-entendue émanant de la loi doit être limitée à deux (2) ans à partir de la date d'achat du produit ou à une période plus longue selon ce que dit la loi en vigueur.

Cette garantie ne couvre pas tout dégât particulier, accidentel et/ou consécutif, ni les pertes et profits, à charge du propriétaire, des ses clients et/ou des utilisateurs Des produits.

QUI CONTACTER

Pour obtenir un Service Après-vente durant la Garantie ou pour toute autre Question liée au Service Après-vente Appeler:

- Elica North America Authorized Service at (888) 732-8018

Ou écrire à:

- Elica North America, Attention Customer Service,
6658 156th Avenue SE,
Bellevue, WA 98006 USA
infoamericas@elica.com

INSTRUCCIONES DE SEGURIDAD IMPORTANTES

ATENCIÓN: RESPETAR ESTAS INSTRUCCIONES PARA REDUCIR EL RIESGO DE INCENDIOS, DESCARGAS ELÉCTRICAS O LESIONES PERSONALES :

■ Utilizar este dispositivo sólo como aconseja el productor. Póngase en contacto con el productor en caso de dudas o preguntas.

■ Antes de iniciar cualquier operación de mantenimiento o limpieza, desconecte la alimentación del panel general y bloqueeo con el fin de evitar que se vuelva a conectar accidentalmente. En el caso de que el no se puedan bloquear, poner un aviso claramente visible en el panel general, como por ejemplo una etiqueta adhesiva.

■ La instalación y la conexión eléctrica del aparato las tiene que realizar el personal técnico cualificado, de acuerdo con los requisitos de las normas y reglamentos vigentes, incluyendo aquellos de la construcción contra incendios

■ No utilizar el motor de aspiración si el cable de alimentación o el enchufe están dañados. sacarlo o llevarlo a un centro de asistencia técnica autorizado para inspeccionarlo y / o repararlo.

■ Se requiere una ventilación adecuada en la habitación para la justa combustión y evacuación de los gases a través de la tubería / chimenea de aparatos alimentados con otros combustibles, para evitar la formación de rechupes. Siguir las instrucciones del productor de aparatos de calefacción y las normas de seguridad, como aquellas publicadas por la Asociación Nacional de Protección contra Incendios (NFPA), la Sociedad Americana de Calefacción, Refrigeración y Aire Acondicionado (ASHRAE) y las autoridades locales.

■ Tenga especial cuidado en no dañar los cables eléctricos u otros utensillos al hacer cortes o agujeros en las paredes o en el techo.

■ Los aparatos de aspiración se tienen que evacuar hacia el exterior

ATENCIÓN: En general para la aspiración al exterior. No evacuar materiales peligrosos o explosivos y vapores.

ATENCIÓN : Para reducir el riesgo de incendios y para evacuar correctamente el aire, asegurarse de canalizar el aire hacia el exterior - no evacuar el aire aspirado hacia el interior de las paredes, techos, áticos o buhardillas o garajes.

ATENCIÓN: UTILIZAR SÓLO TUBOS METÁLICOS PARA REDUCIR EL RIESGO DE INCENDIO.

ATENCIÓN: PARA REDUCIR EL RIESGO DE QUE LA GRASA SE INCENDIEEN LA PARTE SUPERIOR DE LA CAMPANA :

■ No deje nunca sin vigilancia la encimera a temperatura alta. Un exceso de ebullición provoca humo y fugas de grasas que pueden provocar incendios. Caliente el aceite de a poco a temperatura baja o media.

■ ENCENDER siempre la campana cada vez que se cocina con mucho calor o cuando se preparan alimentos con llamas altas (ejemplo. Crepe Suzette, Cherries Jubilee, Carne con pimienta flambeada).

■ Limpie los extractores con frecuencia. Evitar que la grasa se deposite en el ventilador o en el filtro.

■ Utilizar recipientes de tamaño adecuado. Use siempre ollas cuyo tamaño sea apropiado para la hornalla o para la zona de cocción en uso.

ATENCIÓN: PARA REDUCIR EL RIESGO DE DAÑOS A LAS PERSONAS SI SE INCENDIARA LA GRASA DE LA PARTE SUPERIOR DE LA CAMPANA, SIGA LAS SIGUIENTES INSTRUCCIONES: (a)

■ CUBRIR LAS LLAMAS con una tapa, un recipiente para horno o una fuente de metal y apagar la hornalla. TENGA CUIDADO NO SE QUEME. Si las llamas no se extinguen inmediatamente, SALGA DE LA HABITACIÓN Y LLAME A LOS BOMBEROS.

■ NO TOQUE NUNCA UNA SARTÉN CON LAS MANOS SI SE ESTÁ INCENDIANDO- se puede quemar.

■ NO USE AGUA, ni trapos o toallas húmedas, podrian explotar compresi strofinacci od asciugamani umidi. Esto podría producir una violenta explosión causada por el vapor.

■ Use un extintor SOLAMENTE si:

- Si tiene un extintor Clase ABC, y si sabe cómo usarlo.

- El incendio es pequeño y limitado a la zona en la que se inició.

- Los bomberos fueron llamados.

- Si puede combatir el incendio con su espalda girada hacia la salida.

(a) Basado en "Consejos de Seguridad en la Cocina" (Consejos en caso de incendio en la cocina) publicado por NFPA.

■ **ATENCIÓN:** Para reducir el riesgo de incendios o descargas eléctricas, no utilice este aparato con dispositivos de control de velocidad con transistores

LEER Y GUARDAR ESTAS INSTRUCCIONES

ADVERTENCIAS

Gracias por haber comprado una campana Elica.

Leer atentamente todas las instrucciones de este manual antes de proceder con la instalación de la campana.

Guarde estas instrucciones para futuras consultas.

Utilizar este aparato exclusivamente como un sistema de aspiración para la eliminación de los vapores generados durante la cocción. Evite el uso del aparato para evacuar sustancias inflamables o cualquier otro material u otros vapores.

El procedimiento de instalación descrito en este manual está dirigido a los instaladores profesionales calificados, al personal técnico o a las personas con una preparación similar.

NO trate de instalar el producto usted mismo.

Antes de iniciar la instalación, asegúrese de que el aparato esté desenchufado de la red eléctrica. Todo el cableado tiene que estar montado de manera correcta, aislado y conectado a tierra y cumplir con todas las normas y reglamentos vigentes.

Asegúrese de que todas las canalizaciones existentes no tengan depósitos de grasa, las mismas tienen que ser sustituidas, si es necesario, para evitar la posibilidad de incendio debido a la presencia de grasa. Compruebe las conexiones de las canalizaciones con el fin de asegurarse de que estén conectadas de manera correcta y que todas las conexiones estén selladas con cinta adhesiva. Tenga especial cuidado al hacer agujeros en techos o paredes a fin de no dañar el cableado o tuberías ocultas. Asegúrese de que la cocina esté equipada con un número suficiente de tomas de aire para la ventilación.

El aire de admisión siempre tendría que ser evacuado hacia el exterior de su habitación, es por eso que la canalización nunca tiene que descargarse dentro de paredes, techos, pisos y áticos. Sólo utilice acero rígido y liso para la canalización. El motor tiene una salida de descargue que requiere una boquilla de conexión redonda de 6 ".

ÍNDICE

Advertencias	26
Advertencias Útiles	26
Advertencias	26
SUM1	27
Tipos de instalación	27
Instalación del aparato	28
Conexión de los tubos	28
Conexión eléctrica SEM1 a la campana	28
SUM6	29
Advertencias	29
Instalación	29
Conexión de los tubos	30
Conexión eléctrica a la campana	30
Instalación del carter exterior	30
GARANTÍA	31

¡Advertencias!

La salida de aire del aparato no tiene que estar conectada a un conducto utilizado para la descarga de humos procedentes de otros sistemas, como los de la calefacción centralizada, de las calderas, etc ..

Para la descarga de humos hacia el exterior, respete la normativa vigente.

Preveer una adecuada aireación del lugar de acuerdo con la normativa vigente, cuando la campana se usa simultáneamente con otros aparatos alimentados con un fuente de energía diferente de la eléctrica, tales como estufas de gas, de petróleo, de carbón.

La fuente de alimentación del motor del grupo de aspiración exterior se produce en la campana que se encuentra en la cocina.

Antes de conectar la campana a la red eléctrica asegurarse de que el voltaje mostrado en la etiqueta de los datos técnicos corresponda a los de la habitación.

Asegurarse de que el aparato esté desconectado de la red eléctrica, antes de realizar cualquier operación de mantenimiento o de limpieza.

Advertencias útiles:

- Utilizar un tubo de evacuación del aire cuya longitud máxima no sea superior a 5 metros.

- Limitar el número de curvas en la canalización, ya que cada curva reduce la capacidad de aspiración de 1 metro lineal. (Ej.: Si se usan n 2 curvas de 90 ° la longitud de la canalización no tiene que superar los 3 metros de longitud).

- Utilice un conducto hecho con materiales aprobados por las normas vigentes.

- Es importante evitar el cambio del diámetro (se aconseja un diámetro de 150 mm).

- Leer atentamente el manual de instrucciones y de instalación del aparato .

- Elica no se hará cargo de problemas de eficacia de aspiración y / o de ruido debido al incumplimiento de las indicaciones referidas en el manual de instrucciones.

- Los productos SEM6 están equipados con un orificio para la evacuación del aire de 200 mm.

En el caso de que la campana a la que se le conectará el grupo de aspiración exterior tuviera una salida de aire de 200 mm, es recomendable utilizar un conducto de 200 mm para lograr el máximo rendimiento. Si la campana está equipada con una salida de aire de 150 mm, se tendrá que utilizar una unión de tubos apropiada (200mm a150mm) suministrada con el producto.

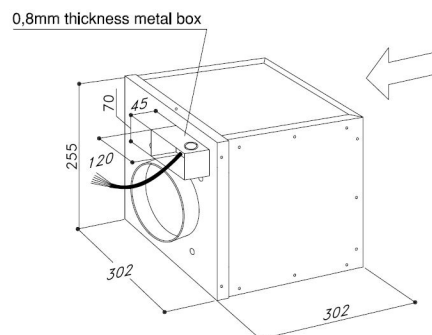
El cable de la caja de la alimentación eléctrica no se tiene que cortar ni unir a otros cables, ya que esto podría comprometer el correcto funcionamiento y el justo nivel de seguridad. Por otra parte, esto invalidaría la garantía del fabricante.

¡Advertencias!

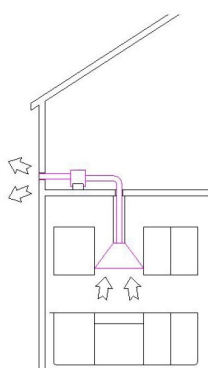
Los Grupos de aspiración remotos SEM6 se pueden conectar a cualquier producto del mismo fabricante, en la versión de External Motor (motor externo).

El fabricante no se hace responsable de los daños causados por un uso diferente

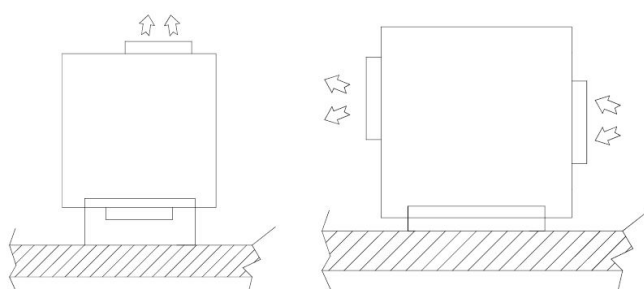
SUM1



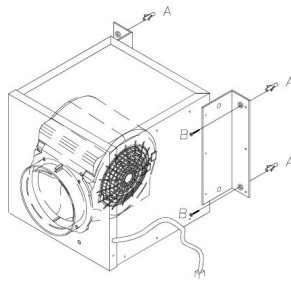
El aparato está diseñado para aspirar óptimamente los vapores y los olores sin que se sientan ruidos.
El aparato tendrá que instalarse dentro de la habitación conectándolo a la campana que se encuentra en la cocina, fig.1



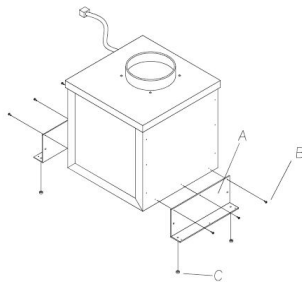
Tipos de instalación: para facilitar las operaciones de instalación, el aparato se puede fijar a una pared, al techo o en el suelo en posición horizontal (fig.2) o vertical (Fig. 3) con respecto al plano de fijación.



Nota: En el caso de fijación vertical, se pueden utilizar los soportes suministrados sólo en la parte más larga (Fig. 4).

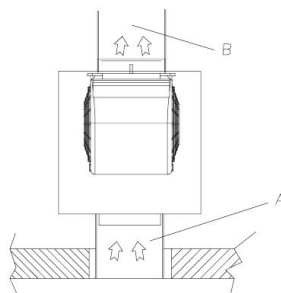


Instalación del aparato: una vez establecida la ubicación y el modo de fijación, hay que introducir la goma anti-vibración en los orificios de los soportes ya suministrados, Fig. 5C .



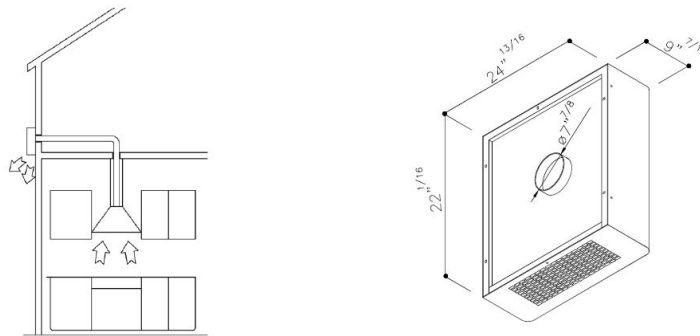
Las gomitas tienen que colocarse en la superficie lateral que va a estar en contacto con la pared. Colocar los soportes (Fig. 5A) en el grupo de aspiración exterior, haciendo coincidir los orificios de este último con los de los soportes. Fijarlos con los tornillos suministrados. (Fig. 5B). Apoyar el grupo en el punto de fijación elegido previamente, dibujando en la pared los puntos donde se harán los orificios. Introducir los tornillos suministrados en los orificios (Fig. 4A). Apoyar el grupo de aspiración exterior en la pared, alineando los orificios de los soportes con los de los tacos. Fije con los tornillos suministrados en dotación (Fig. 4B).

Conexión de los tubos: el aparato está equipado con una entrada y una salida para la conexión de los tubos. Antes de conectar los tubos de evacuación verificar la dirección del aire a través de la etiqueta externa (fig. 6). Conecte los tubos y fijelos con abrazaderas metálicas adecuadas (tubos y abrazaderas serán suministradas por el instalador). El tubo (Fig. 6A) tiene que estar conectado con la campana situada en la cocina, y el tubo (fig. 6B) tiene que dirigirse hacia el exterior del edificio.



Conexión eléctrica de SEM1 a la campana: El aparato está equipado con un cable eléctrico de 7 metros con una conexión de seis pines en un lado. Añadirlo a la conexión de la campana (versión Motor externo).

SUM6



¡Advertencia!

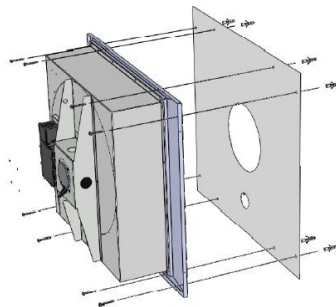
El grupo de aspiración exterior (motor externo) está en clase I, por lo tanto necesita de una conexión a tierra.

El aparato está diseñado para aspirar óptimamente los vapores y los olores sin que se sientan ruidos.

El aparato tendrá que instalarse dentro de la habitación conectándolo a la campana que se encuentra en la cocina, fig.1

Instalación:

La instalación tiene que realizarse por técnicos calificados. Utilizar la plantilla de perforación especial.

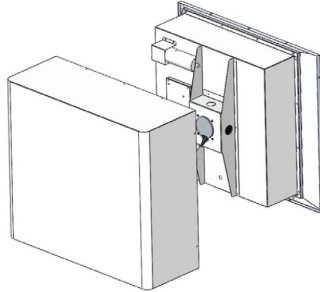


(Fig. 2) Realizar en la pared exterior todos los orificios indicados en la plantilla, teniendo cuidado y sin dañar las tuberías de agua o líneas eléctricas. Los orificios en la pared se tienen que realizar utilizando una broca de 8 mm.

Introducir, uno tras otro, los siguientes componentes en los orificios hechos:

- Los tacos de plástico suministrados
- Los dos tubos telescópicos en el orificio de 200 mm.
- El tubo de plástico con un diámetro de 40 mm.

Antes de apoyar el aparato en la pared, saque el cárter de acero mediante la eliminación de los 8 tornillos perimetrales (Fig. 3),



Después, conecte el cable de alimentación en el tubo de plástico. Fijar el aparato sin el cárter estético de acero, retirado previamente del bloque motor, haciendo coincidir los orificios del mismo bloque motor con los orificios en la pared. Apretar usando los tornillos suministrados.

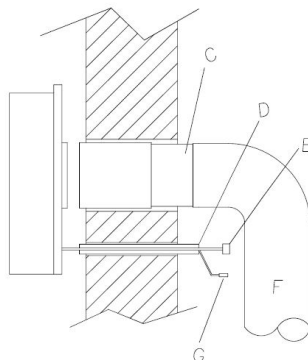
Conexión de los tubos:

el aparato está equipado con una entrada para la conexión de los tubos telescópicos, y una salida. Después de que el aparato se haya fijado en la pared exterior, conectar los dos tubos telescópicos (Fig. C), que se encuentran dentro de la pared, con la campana a través de los tubos flexibles. Las operaciones de instalación tienen que estar hechas utilizando las herramientas de metal apropiadas (tubos y herramientas serán suministrados por el instalador).

Conexión eléctrica a la campana:

El aparato está equipado con un cable de conexión de 7 metros de largo. Después de haber hecho pasar el cable por el tubo de plástico (Fig. E) puesto en la pared (Fig. D), acercarlo a la campana y conectar el conector de 6 pines (Fig. e) y el conector de 2 pines (Fig. g).

Para evitar posibles infiltraciones de agua, aplicar un poco de silicona al rededor del perímetro del aparato , cerca de la pared .



Garantía

ELICA North America GARANTIA LIMITADA DE DOS AÑOS.

PARA OBTENER SERVICIO DENTRO DE GARANTIA.

El propietario debe presentar su recibo original de la compra. Guarde por favor una copia de su recibo de compra como prueba, para recibir el servicio dentro del periodo de garantía.

PARTES Y GARANTIA DE SERVICIO.

Por el periodo de (2) dos años desde la fecha original de la compra, Elica proveerá, gratuitamente, partes no-consumibles o componentes que hayan fallado debido a defectos de fabricación. Durante estos (2) años de garantía limitada, Elica también proveerá gratuitamente, todo el servicio en casa y mano de obra necesaria para reemplazar cualquier parte defectuosa.

QUE NO ESTA CUBIERTO

- Daños o fallas del producto causados por accidente o actos de Dios, tales como inundaciones incendios o terremotos.
- Daños o fallas causadas por alteración del producto o por el uso de partes no-originales.
- Daños o fallas del producto causados durante la entrega, manejo o instalación.
- Daños o fallas del producto causados por abuso del usuario.
- Daños o fallas del producto causados por reemplazo de fusibles dañados o reseteo de interruptor de circuito.
- Daño o fallas causados por el uso del producto en un ambiente comercial (no doméstico).
- Viajes de servicio debidos a dudas sobre el uso o instalación del producto.
- Bombillas, filtros de carbón o metal y cualquier otra parte consumible.
- Desgaste normal.
- Desgaste terminal debido a abusos del usuario, mantenimiento inadecuado, uso de productos / toallas de limpieza corrosivos o abrasivos y por uso de limpiadores para hornos.

QUIEN ESTA CUBIERTO

Esta garantía se extiende al comprador original de productos adquiridos para uso residencial en Norte América (incluyendo Estados Unidos, Guam, Puerto Rico, Islas Vírgenes de USA y Canadá).

Esta garantía no es transferible y aplica solamente al comprador original y no se extiende a propietarios subsecuentes del producto. Esta garantía se expresa en lugar de otras garantías, expresadas o implícadas, incluyendo, pero no limitada a ninguna garantía implicada de comercialización o adaptada para propósitos particulares y cualquier otra obligación por parte de Elica North America, considerando, sin embargo, que si la negación de garantías implícitas es inefectiva bajo la ley aplicable, la duración de cualquier garantía implícita será limitada a dos (2) años desde la fecha original de compra o por el periodo necesario como sea requerido por la ley aplicable.

Esta garantía no cubre cualquier daño especial, incidental y/o consecuente, ni pérdidas de ganancias, sufridas por el comprador original, sus clientes y/o usuarios del producto.

A QUIEN CONTACTAR

Para obtener Servicio bajo Garantía o para cualquier pregunta relacionada a Servicio.

Favor de llamar:

- Servicio Autorizado de Elica North America al (888) 732-8018

O escribiendo a:

- Elica North America, Atención a Servicio a Clientes,
6658 156th Avenue SE,
Bellevue, WA 98006 USA
infoamericas@elica.com

