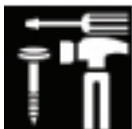


Range Hoods

Owner's Manual

Pour version française, visitez notre site à l'adresse www.ardaappliances.com



Page 2 - Safety Information



Page 4 - Wall Mount Hoods
Page 8 - Island Mount Hoods
Page 12 - Use & Care instructions



Page 16 - Warranty & Registration

Arda®

Style your kitchen

1. IMPORTANT SAFETY INFORMATION



Intended for Domestic Kitchen Use Only

*** Important: Read the complete manual carefully before installation***

For accuracy, measurements and rough openings should be done based on the actual hood.

WARNINGS:

TO REDUCE THE RISK OF FIRE, ELECTRICAL SHOCK OR PERSONAL INJURY, PLEASE OBSERVE THE FOLLOWING:

1. Installation and electrical work must be done by a qualified TECHNICIAN in accordance with all applicable codes and standards.
2. If the supply cord is damaged, it must be replaced by the manufacturer, its service agent or a similarly qualified person to avoid a hazard. Any modifications that may be required to the home's electrical system for the installation of the range hood must only be made by qualified electricians.
3. Before servicing or cleaning unit, switch power off at the service panel. Lock panel to prevent power from being switched on accidentally.
4. Use this unit only in the manner intended by the manufacturer.
5. Sufficient air is needed for combustion and exhausting of gases through the chimney of fuel burning equipment to prevent back drafting. Follow the heating equipment manufacturer's guidelines and safety standards such as those published by the National Fire Protection Association (NFPA), and the American Society for Heating, Refrigeration and Air Conditioning Engineers (ASHRAE), and the local code authorities.
6. When cutting or drilling into wall or ceiling, be careful NOT to Damage existing electrical wiring and other hidden utilities.
7. Ducted fans must always be vented to the outdoors.
8. To reduce the risk of fire, use only metal ductwork.
9. This unit must be grounded.

We do the utmost to ensure that the provided information is complete and accurate; however, images and specifications are subject to change without notice. Visit our website at www.ardaappliances.com for the latest version of this manual.

Important safety information



TO REDUCE THE RISK OF INJURY TO PERSONS IN THE EVENT OF A RANGE TOP GREASE FIRE, OBSERVE THE FOLLOWING:

1. SMOTHER FLAMES with a close-fitting lid, cookie sheet or metal tray, and then turn off the burner. If the flames do not go out immediately, evacuate and call the fire department.
2. NEVER PICK UP A FLAMING PAN. – You may be burned.
3. DO NOT USE WATER, including wet dishcloths or towels – a violent steam explosion may result.
4. Use an extinguisher ONLY if:
 - You know you have a Class ABC extinguisher and you already know how to operate it.
 - The fire is small and contained in the area where it started.
 - The fire department is being called.
 - You can fight the fire with your back to an exit.

CAUTION

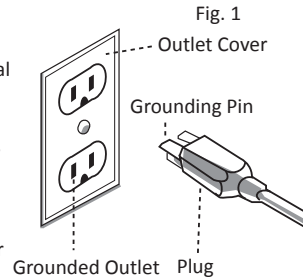
1. To reduce the risk of fire and to properly exhaust air, be sure to duct air outside. Do not vent exhaust air into spaces within walls, ceilings or into attics, crawl spaces or garages.
2. Take care when using cleaning agents or detergents.
3. Avoid using food products that produce flames BENEATH the range hood.
4. The range hood must only be used for the exhausting of cooking fumes in DOMESTIC kitchens. The manufacturer disclaims all liability for any other use of the appliance.
5. Two installers are recommended because of the large size and/or weight of this hood.
6. Only use with 110/120V power plug provided.
7. Please read specification label on product for further information and requirements.

We do the utmost to ensure that the provided information is complete and accurate; however, images and specifications are subject to change without notice. Visit our website at www.ardaappliances.com for the latest version of this manual.

2. WALL MOUNTED HOOD -- INSTALLATION

Step A: Before You Start...

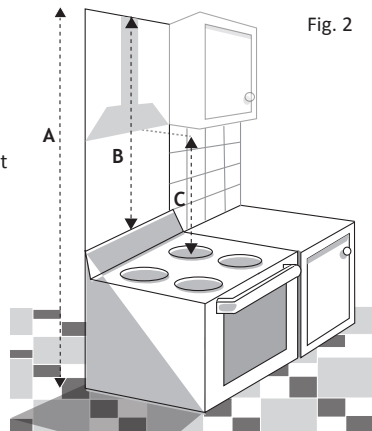
1. Read this manual carefully and completely.
2. ARDA range hoods conform to ETL/CSA standards. Check your local building codes for any additional requirements.
3. The appliance has been manufactured as Class I, therefore a ground connection is necessary. A 110/120V power cord with plug is provided. The range hood must be installed so that the plug is easily accessible (Fig. 1).
4. If appliance has been designed for use in both ducted and recirculating modes, follow the appropriate installation method. (For recirculation mode a kit is required – not included. Contact Integrated Appliances, Ltd. to determine if a kit is available for your hood.)



Step B: Planning Your Installation

1. Measure:
 - a. The floor to ceiling height (A - Fig. 2).
 - b. Find the centre point of your opening. Mark a plumb line (B) through this point from ceiling to your range/cook-top.
 - c. Check your range/cook-top user manual for the specified minimum and maximum distance above your cooking surface. Mark the minimum clearance (C) on the centre line.
2. Decide where the ductwork will run between the hood and the outside. Short, straight duct runs will provide the most air flow.
3. Installing a cross brace within the wall at the mounting height is recommended (see Step D - Mounting Height Calculation & Cross-Bracing Installation).
4. Decide where to install the 110/120V receptacle within the dimensions of the decorative chimney.
5. Calculate the required height of the decorative chimney. ARDA range hoods will usually fit on walls between 7½' and 8 ½' depending on the mounting height of the range hood. For a shorter installation you may need to have the provided chimney cut. For a taller installation you may need to fabricate an extension piece.

- A - Floor to Ceiling height
B - Ceiling to Cooking Surface (center/plumb line) height
C - Cooking surface to bottom of hood height

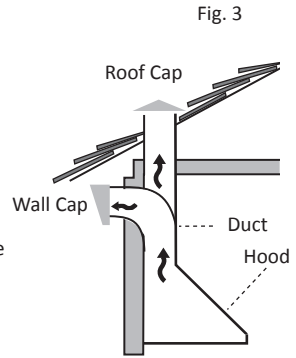


We do the utmost to ensure that the provided information is complete and accurate; however, images and specifications are subject to change without notice. Visit our website at www.ardaappliances.com for the latest version of this manual.

Wall Mounted Hoods

Step C. Installing the Ductwork

1. Arda hoods exhaust vertically up through the ceiling to the roof (Fig. 3). They can be ducted to the rear behind the decorative chimney duct through an outside wall.
2. Plan where the ductwork will run between the hood and the outside.
3. A short straight duct run will produce the most air flow. Longer lengths and elbow ducts will reduce the efficiency of the blower.
4. Install a roof or wall cap outside your home. Connect a 6" round metal duct to the cap and work backwards towards the hood. Ensure connections are completely sealed with duct tape.



5. Exhaust air **MUST NOT** be discharged into a flue which is used for the exhaust fumes from other appliances. Exhaust air cannot be discharged into an attic space or a garage.

Step D. Mounting Height Calculation and Cross-Bracing Installation

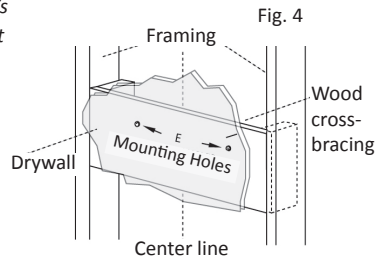
1. Decide on the mounting height of the hood (C - Fig. 2). You will need to consider the following:

The minimum mounting height. In general the minimum mounting height above an electric range is 24" and above a gas range is 30". Check your range's installation manual for the correct minimum mounting height for your installation.

Your eye level. Mounting the hood at a height where the controls are at eye level is usually most convenient.

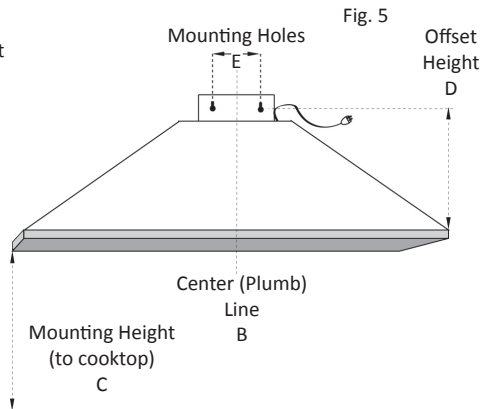
Design. Factors such as symmetry and alignment within your backsplash and/or cabinetry.

The fit of the decorative chimney.



2. Mark the mounting height (C) on the plumb line (B).
3. The mounting holes on the hood are used for attaching the hood to the wall. Measure the distance between the bottom of the hood and the top of the mounting holes on the hood (D - Fig. 5). Draw a line perpendicular to the center/plumb line (B) at this height. Measure the distance between the mounting holes on the hood (E). Center and mark this measurement on line D. Ensure that this measurement is centered on either side of the center (plumb) line. This is where the mounting holes are to be positioned.
4. Behind the drywall and any backsplash material, install cross-bracing between the wall joists at the level of the mounting screw holes (Fig. 4)
5. Insert the mounting screws through the marked mounting holes, leaving about 1/4" of the thread exposed. Ensure you use the appropriate type of screws for your wall/crossbracing.

Note: some wall/screw types will require pre-drilling a pilot hole before inserting the screw.



We do the utmost to ensure that the provided information is complete and accurate; however, images and specifications are subject to change without notice. Visit our website at www.ardaappliances.com for the latest version of this manual.

Wall Mounted Hoods

Step E. Installing the Electrical

1. Install a 110/120V electric receptacle on the wall within the dimensions of the decorative chimney (Fig. 6). Note that removal of the plug will void the warranty of the range hood.

Note: All electrical wiring must be done by a qualified person and in accordance with all applicable codes and standards. This range hood must be properly grounded.

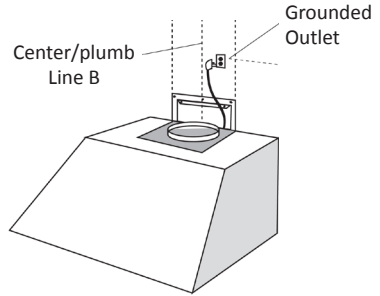


Fig.6

Step F. Mounting the Hood

Warning: If unit is being installed above an installed cooking appliance, ensure the unit is turned off and is completely cooled before beginning installation.

CAUTION: While installing the hood, take precautions not to scratch your unit. Remove tool belts, large belt buckles and any other sharp items while handling the unit. Cover working surface with a soft blanket.

1. We recommend that two people mount the hood.



2. **DO NOT REMOVE PLASTIC COATING FROM HOOD UNTIL INSTALLATION IS COMPLETE.**

3. Damper installation **for HAM52A and HAM52B only:**

Inside the hood, under the grease filters, you will find the:

Damper (Fig. 7); Gasket (Fig. 8); Gasket screws (x 4); Wall bracket for the chimney (Fig. 9).

Set the bracket aside for use in Step G. Place the gasket on top of the hood. Place the damper on top of the gasket. Using the screws provided, affix the damper to the hood.

Fig.7

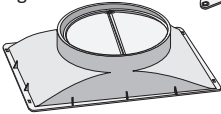


Fig.9

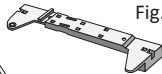


Fig.8



When unpacking models HAM52A and HAM52B, please note that the gasket and associated hardware are packed inside the hood.

4. Before mounting the hood, plug the unit in and test all functions for proper operation:

- a. **Blower works at all speeds.**
- b. **Lights turn on and off.**
- c. **Damper flaps should open when blower is on.**

5. Remove the grease filters from the bottom of the hood to prevent damage during the installation.

6. With assistance from at least one other person, hold the hood temporarily in position ensuring the bottom is above the minimum clearance for the cooking surface.

We do the utmost to ensure that the provided information is complete and accurate; however, images and specifications are subject to change without notice. Visit our website at www.ardaappliances.com for the latest version of this manual.

Wall Mounted Hoods

7. Mount the hood on the mounting screws. When the hood has been leveled, secure unit by tightening screws.

Note: Depending on the hood type, before doing the final tightening of the mounting screws, the chimney needs to be placed on the hood in order to secure the lips of the chimney when tightening the screws.

8. Connect a 6" aluminum duct tube (not included) between your hood and duct path. Ensure that the damper flaps are free to open. Seal all seams using duct tape.

Step G. Installing the Decorative Chimney

Duct

1. Carefully loosen but do not separate the telescopic chimney duct pieces (A & B - Fig. 10). The inside piece is the top and attaches to the wall at the ceiling. The outside piece is the bottom and rests on the range hood.

2. Plug in the hood.

3. Install the recirculation kit if required.

4. Attach the wall bracket.

Note: If your ceiling is not even, mount the wall bracket level at the lowest point.

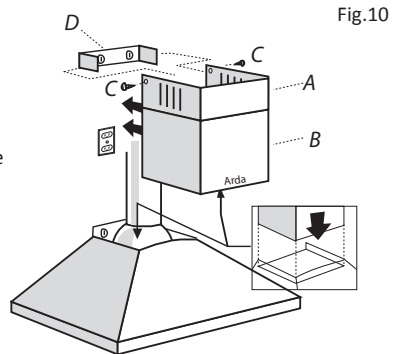
FOR HAM52A & HAM52B ONLY: *adjust the width of the support bracket (D) to match the upper duct width. Fix it to the wall using the screws. Mark a line 4 mm down from the ceiling.*

Fix the adaptor to the wall using the screws provided so that it is centered in line with your hood and at a distance from the ceiling indicated.

FOR ALL OTHER HOODS: *on the wall, at the ceiling edge, center the bracket on the plumb line. Attach to the wall using screws appropriate to the wall material.*

5. Place the two nested chimney pieces on top of the range hood. Draw the inside/top piece up to the ceiling and affix to the wall bracket using the provided screws.

6. Remove the decorative plastic wrap from the hood.



- A. Upper vent cover
- B. Lower vent cover
- C. Screws
- D. Bracket

We do the utmost to ensure that the provided information is complete and accurate; however, images and specifications are subject to change without notice. Visit our website at www.ardaappliances.com for the latest version of this manual.

3. ISLAND HOOD -- INSTALLATION

Step A. Before You Start...

1. Read this manual carefully and completely.
2. ARDA range hoods conform to ETL/CSA standards. Please check your local building codes for any additional requirements.
3. The appliance has been manufactured as Class I, therefore ground connection is necessary. A 110/120V plug is provided. The range hood must be installed so that the plug is easily accessible (Fig. 11).
4. If appliance has been designed for use in both ducted and recirculating modes, follow the appropriate installation method. (For recirculation mode a kit is required – not included. Contact Integrated Appliances to determine if a kit is available for your hood.)

Step B. Planning your installation

1. Measure:

- a. The floor to ceiling height (A - Fig. 12).
- b. The distance from your cooking surface to your ceiling. (B)
- c. Check your range/cooktop user manual for the specified min/max hood distance (C) above your cooking surface.

2. Decide where the ductwork will run between the hood and the outside. Short straight duct runs will provide the most air flow.

3. Find the centre point of your range/cooktop. Drop a plumb line from your ceiling to this point on your cooking surface.

Mark the ceiling where the plumb line starts. **Installing crossbracing between the ceiling joists is required (See Step D).**

4. Calculate the required height of the mounting cage and decorative chimney. ARDA range hoods will usually fit on walls between 8 ½' and 9 ½' depending on the mounting height of the range hood. For a shorter installation you may need to have the provided chimney and/or mounting cage cut. For a taller installation you may need to fabricate an extension piece.

Fig.11

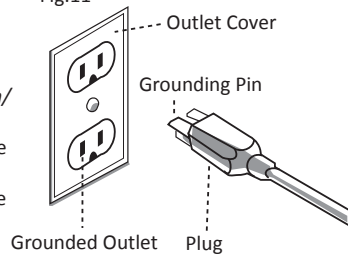
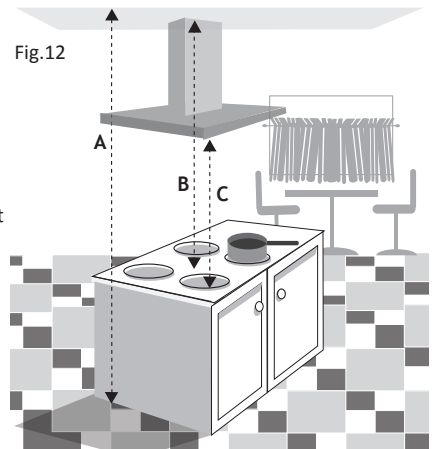


Fig.12

- A - Floor to Ceiling height
- B - Ceiling to Cooking Surface (center/plumb line height)
- C - Cooking surface to bottom of hood height



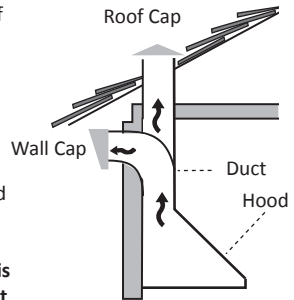
We do the utmost to ensure that the provided information is complete and accurate; however, images and specifications are subject to change without notice. Visit our website at www.ardaappliances.com for the latest version of this manual.

Island Mounted Hoods

Step C. Installing the Ductwork

1. Arda hoods exhaust vertically up through the ceiling to the roof (Fig. 13). They can be ducted to the rear behind the decorative chimney duct through an outside wall.
2. Plan where the ductwork will run between the hood and the outside.
3. A short straight duct run will produce the most air flow. Longer lengths and elbow ducts will reduce the efficiency of the blower.
4. Install a roof or wall cap outside your home. Connect a 6" round metal duct to the cap and work backwards towards the hood. Ensure connections are completely sealed with duct tape.

Fig. 13



5. Exhaust air **MUST NOT** be discharged into a flue which is used for the exhaust fumes from other appliances. Exhaust air cannot be discharged into an attic space or a garage.

Step D. Cross-Bracing Installation

1. In the ceiling, install cross-braces between the ceiling joists (Figs. 14a and 14b).

NOTE that the bottom of the cross-bracing must be level to ensure that the island hood hangs level.

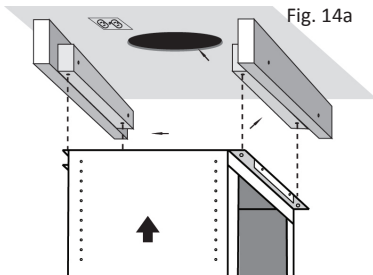


Fig. 14a

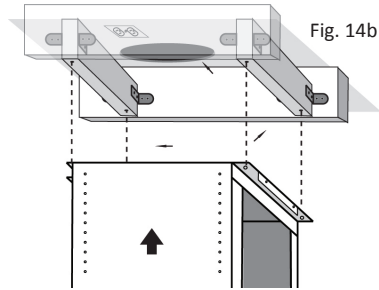


Fig. 14b

Step E. Installing the Electrical

1. Install a 110/120V receptacle on the ceiling within the dimensions of the decorative chimney (Fig. 14a). **NOTE** that the removal of the plug will void the warranty of the range hood. **Note:** All electrical wiring must be done by a qualified person and in accordance with all applicable codes and standards. This range hood must be properly grounded.

We do the utmost to ensure that the provided information is complete and accurate; however, images and specifications are subject to change without notice. Visit our website at www.ardaappliances.com for the latest version of this manual.

Island Mounted Hoods

Step F. Mounting Height Calculation

1. For an island hood installation, you will need to consider the following when calculating the mounting height (C - Fig. 12 on p.8):

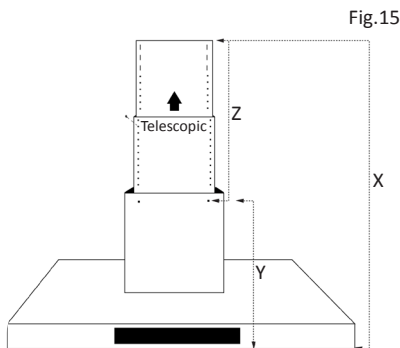
The minimum mounting height. In general the minimum mounting height above an electric range is 24" and above a gas range is 30".

Check your range's installation manual for the correct minimum mounting height for your installation.

Your eye level. On an island hood, mounting the hood at a height where the controls are at eye level is usually most convenient.

Design. Factors such as symmetry and alignment within your backsplash or cabinetry.

The fit of the decorative chimney.



2. Calculate the available height from the ceiling to the bottom of the hood (X - Fig. 15). Calculate the height of the hood (Y), then calculate the extended height for the mounting cage (Z).

3. Expand the telescopic cage to the calculated size (Z). Use the screws provided to fix the telescopic cage in place. If the calculated height of the mounting cage is smaller than the actual height of the cage, you will need to have both the cage and the decorative chimneys cut to fit your installation. We recommend that a stainless steel fabricator do this to ensure a straight even cut. If the calculated height of the mounting cage is larger than the actual height of the cage, you will need to fabricate an extension piece. Please call our office at 1-800-268-4086 or info@ardaappliances.com for assistance if required.

Step G. Mounting to the Ceiling



CAUTION: While installing the hood, take precautions not to scratch your unit. Remove tool belts, large belt buckles and any other sharp items while handling the unit. Cover lower working surface with a soft blanket.

Warning: If unit is being installed above an installed cooking appliance, ensure the unit is turned off and is completely cooled before beginning installation.

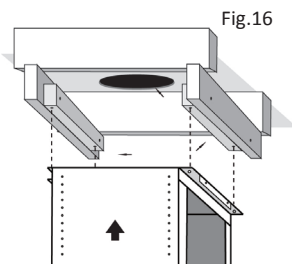
1. Centre the upper cage on the ceiling around the exhaust duct opening. Ensure that:
 - a. The markings coincide with the cross-bracings between the ceiling joints.
 - b. The cage is square with the cooking surface below.
 - c. The side of the cage that has the arrow on it faces the front. When installed, this is the side of the hood that will have the controls.

2. Mark the upper screw holes on the ceiling (Fig. 16).

3. Partially screw the four mounting screws provided into the ceiling at these markings.

4. Ensure that the unit is square and level then completely tighten the screws. The cage should now be firmly attached to the ceiling.

5. If you have not done so previously, insert the lower cage over the upper cage. Adjust the height to the necessary distance using screws supplied.



We do the utmost to ensure that the provided information is complete and accurate; however, images and specifications are subject to change without notice. Visit our website at www.ardaappliances.com for the latest version of this manual.

Island Mounted Hoods

Step H. Installing the Decorative Chimney

1. Attach 6" aluminum duct (not included) to the prepared duct work in the ceiling. Seal all seams. If using the recirculation kit (not provided), the air deflector is installed at this step. Please see instructions provided with kit.
2. Carefully separate the telescopic chimney duct pieces.
3. Attach the inner piece of the decorative chimney to the top of the cage with screws provided (Fig. 17).
4. Slide the outer piece of the decorative chimney on to the cage over the inner chimney and temporarily hold in place with two screws.

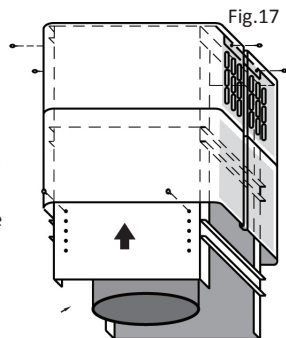
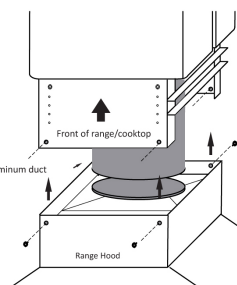


Fig.18

Step I. Installing the Range Hood

Note that to avoid injury and/or damage to the hood, this step of the installation requires three people.

1. Before mounting the hood, plug the unit in and test all functions for proper operation:
 - a. Blower works at all speeds.
 - b. Lights turn on and off.
 - c. When blower is on, the damper flaps open.
2. Remove grease filters from range hood.
3. With the assistance of two other people lifting the hood from below, raise the unit until the lower cage sits inside the range hood lower cage. Be sure the unit is installed with the controls facing front. Screw hood to cage (Fig. 18).
4. Attach 6" aluminum duct to the hood duct connector. Ensure that the damper flaps are free to open. Seal all seams.
5. Plug in the unit.
6. Remove temporary screws holding the lower decorative chimney piece in place.
7. Re-install the grease filters and remove protective plastic wrap from the hood.



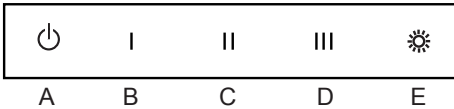
We do the utmost to ensure that the provided information is complete and accurate; however, images and specifications are subject to change without notice. Visit our website at www.ardaappliances.com for the latest version of this manual.

4. USE & CARE INSTRUCTIONS

Controls

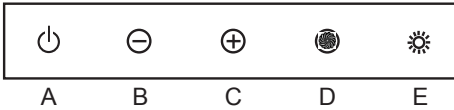
1. Arda hoods come with a variety of controls depending on the model choice (see below).
2. Delay timers, when included, turn off the hood in a set amount of time.
3. Use the lights only when cooking.

5 Button Control



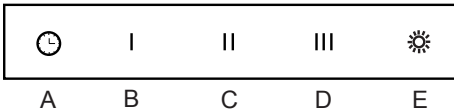
A=Power/Off
 B=Speed 1
 C= Speed 2
 D=Speed 3
 E= Light

5 Button Control



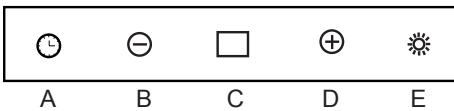
A=Power/Off
 B=Speed 1
 C= Speed 2
 D=Power Burst
 E= Light

5 Button Control with Timer



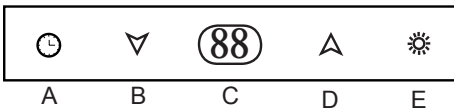
A-Delay Timer/15 minutes
 B- Speed 1
 C= Speed 2
 D=Speed 3
 E= Light

Electronic Digital Control



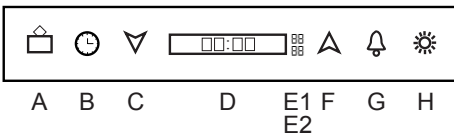
A=Timer
 B= Speed Adjust “-”
 C=LED Display
 D= Speed Adjust “+”
 E= Light

LED Sensor Touch



A=Delay Timer/15 minutes
 B= Speed Adjust “-”
 C=LED Display
 D= Speed Adjust “+”
 E= Light

LED Sensor Touch



A= Change Filter
 B= Delay Timer
 C= Speed Adjust “-”
 D= Digital Clock
 E1= Timer
 E2= Delay Timer
 F= Speed Adjust “+”
 G= Timer
 H= Light

We do the utmost to ensure that the provided information is complete and accurate; however, images and specifications are subject to change without notice. Visit our website at www.ardaappliances.com for the latest version of this manual.

Operation

1. For optimum performance in removing cooking odours, it is recommended that you turn ON your range hood prior to cooking and you leave it operating for 15 minutes after cooking.
2. Clean the surfaces of the range hood regularly using a non-abrasive detergent.
3. The grease filters capture the grease particles suspended in the air. They will accumulate grease and dirt depending on the frequency of the use of your range/cooktop.
4. In order to prevent a fire hazard, it is recommended that you clean the filters at least every 2 months.



WARNING: This appliance is not intended for use by young children without supervision.

There should be adequate ventilation in the room when the range hood is used simultaneously with other fuel burning appliances.

Cleaning the filter

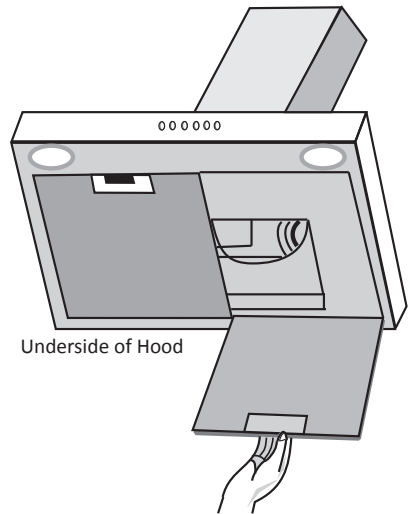
1. Remove the filters from the range hood and wash them in a solution of water and liquid detergent, leaving to soak if necessary. Rinse thoroughly with warm water and leave to dry.
2. The filters may also be washed in the dishwasher.
3. The aluminum panels may alter in color after several washes. This is normal and does not alter the performance of the hood.
4. Replacement filters are available at www.ardaappliances.com

Lighting:



WARNING: Do not touch or change light bulbs while the hood is operating. Wait until the bulb has cooled before removing.

Depending on your model of ARDA hood, there are two possible types of lighting: incandescent and halogen. The hood lights are designed for use during cooking and not for prolonged general illumination of your kitchen. Prolonged use of the lights may reduce the life time of the bulbs.



We do the utmost to ensure that the provided information is complete and accurate; however, images and specifications are subject to change without notice. Visit our website at www.ardaappliances.com for the latest version of this manual.

Use & Care Instructions

Incandescent Bulb Replacement

1. Allow the bulb to cool for 10 minutes; remove the grease filter for easy access.
2. Carefully unscrew the bulb to avoid glass breakage. Ensure that the replacement bulb has the same voltage and wattage specification as the old bulb. Install new bulb in the light fixture by screwing it into the fixture socket.
3. Replace the grease filter.

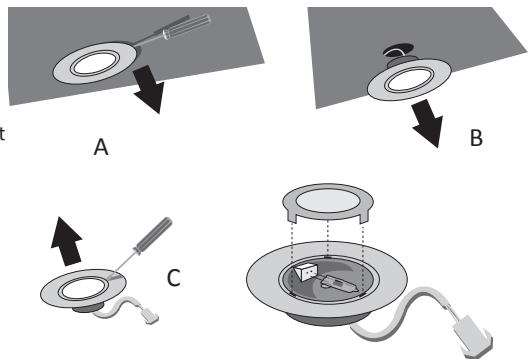
Halogen Bulb Replacement

Note: Replacement halogen bulbs are available at hardware stores. Ensure that the replacement bulb has the same voltage and wattage specification as the old bulb. This information is printed on the stem of the bulb as well as on the inner ring of the fixture.

1. Disconnect the power source from the hood by unplugging the power cord or turning off the circuit breaker. Allow the bulb to cool for 10 minutes before removing it from the light fixture.
2. Place a small flathead screwdriver under the outer lip of the fixture (A). With some models it is also possible to remove the grease filter and press the light fixture out of its mounting bracket from inside the hood (B). Avoid touching the wires when pressing the fixture out. Holding both ends of the plug (do not hold wires) press down the locking lever (to unlatch the locking pin) and gently pull the two sections apart.
3. Remove the cover on the fixture, by placing a small flathead screwdriver between the inner and outer ring of the fixture in the area marked "OPEN," and pry loose the inner ring (C). Using a dry paper towel, pull out the old bulb and discard. Hold the new halogen bulb with a dry paper towel between your fingers. The paper towel prevents oils from your skin from adhering to the glass of the bulb. Align the pins of the bulb with the holes in the fixture and gently push the bulb straight in until fully inserted.
4. Replace the cover on the fixture by aligning the three slots on the cover with the matching slots on the fixture and pressing firmly on the outer metal ring of the cover. To avoid breakage, do not press on the glass.

5. To reconnect the plug line up the ends (square hole with square peg) and gently press together until they lock. Snap the light fixture back into its socket by pressing the outer ring of the fixture. Do not press on the glass.

6. Reconnect the power to the hood.



We do the utmost to ensure that the provided information is complete and accurate; however, images and specifications are subject to change without notice. Visit our website at www.ardaappliances.com for the latest version of this manual.

Trouble-Shooting Guide

Problem	Possible Reason	Solution
Hood doesn't turn on	No electrical supply	Ensure the plug is connected
		Ensure the main switch is turned ON
Poor airflow	Aluminum grease filters clogged	Clean the filters and replace when dry
	Charcoal filters clogged (recirculating mode only)	Replace the charcoal filters
Hood is vibrating	Hood is not secured in place	Check the installation of hood Tighten mounting screws
Motor running but no airflow, or air comes back into room	Damper blocked	Check outside cap to ensure that it is clear. Check damper opens when unit is turned on. Call installer to check for blockages or narrowing of the duct.
Motor stops after a few minutes	The hood is installed too near the cooking surface	The hood must be at least 61cm (24") from the stove
Strong cooking smell	Fan speed too low	Use one of the higher settings
	Charcoal filters not installed	In recirculating mode, charcoal filters must be installed
Oil dripping onto stove	Aluminum grease filter saturated	Wash the aluminum grease filters
Whirring sound	Something in contact with fan blade	Call ARDA service
Fan does not work		Call ARDA service
Lights do not work, but fan does	Bulbs have burnt out	Replace bulbs
All hood lights go out at once	Transformer blown	Call ARDA service

We do the utmost to ensure that the provided information is complete and accurate; however, images and specifications are subject to change without notice. Visit our website at www.ardaappliances.com for the latest version of this manual.

5. LIMITED WARRANTY

This warranty applies only to the original purchaser and may not be transferred. This warranty is applicable within North America only, to hoods installed for normal, non-commercial use in PRIVATE SINGLE FAMILY HOUSEHOLDS.

Arda Appliances North America (hereafter "Arda") warrants its products to be free from defects in materials or workmanship for a period of ONE YEAR from the date of original purchase. It further warrants the motor (part only) for an additional ONE YEAR. During the warranty period, Arda will, at its option, repair or replace, without charges, any product or part which is found to be defective under normal use and service. This warranty covers parts and labor at approved company rates, of \$95 per hour, up to a maximum of one (1) hour. Proof of payment to service repair company is required.

THERE ARE NO OTHER WARRANTIES, EXPRESS OR IMPLIED, INCLUDING BUT NOT LIMITED TO, IMPLIED WARRANTIES OR MERCHANT ABILITY OR FITNESS FOR A PARTICULAR PURPOSE. Proof of purchase/original invoice and serial number is required for warranty claims. Keep a photocopy easily accessible.

This warranty will be void if the serial plate has been removed or disfigured.

EXCLUSIONS - This Arda limited warranty will not cover:

- Aluminum filters, lights or glass canopies, blower wheel damage
- Regular maintenance and service (except by an authorized Arda repair centre)
- Damage resulting from accident, alteration, misuse, abuse, fire, flood, acts of God, improper installation, installation not in accordance with electrical codes, or use of consumables or cleaning products not approved by Arda
- Repair of an appliance used in other than normal, single-family household, or in a manner that is contrary to operation and/or installation instructions
- Cosmetic damage or freight damage caused by 3rd party freight company
- Service to product that is not easily accessible due to unusual, exceptional, or difficult installation that requires removal of fixtures, other than the Arda product, for repair
- Service calls to instruct you how to use the appliance (i.e. user product education)
- Expenses for travel and transportation if your appliance is located in a remote area where service by an authorized Arda servicer is not available

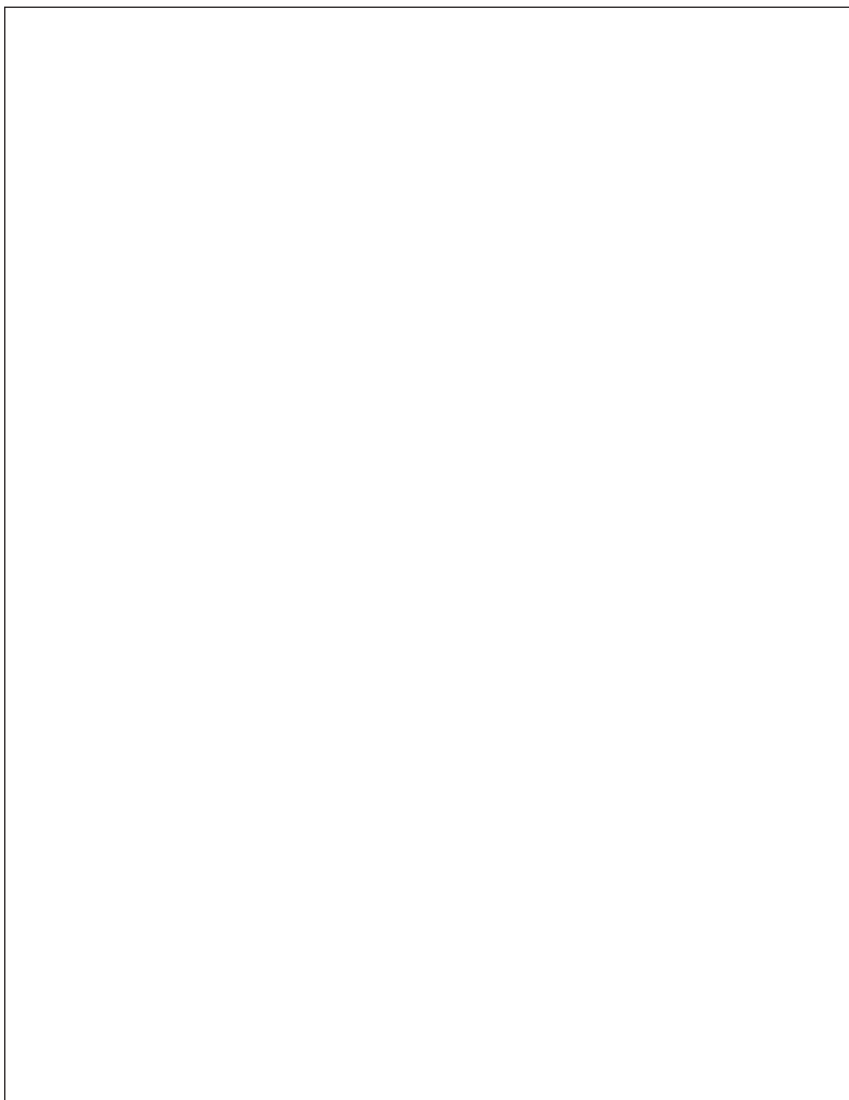
The cost of repair or replacement under these exclusions shall be borne by the customer and agreed to before a servicer is dispatched.

ARDA SHALL NOT BE LIABLE FOR INCIDENTAL, CONSEQUENTIAL OR SPECIAL DAMAGES ARISING OUT OF OR IN CONNECTION WITH PRODUCT USE OR PERFORMANCE.

For an ARDA authorized repair centre please contact Arda at:
1-800-387-3924 (U.S.), 1-800-268-4086 (CAN), or service@ardaappliances.com.

We do the utmost to ensure that the provided information is complete and accurate; however, images and specifications are subject to change without notice. Visit our website at www.ardaappliances.com for the latest version of this manual.

Place photocopy of proof of purchase
here



We do the utmost to ensure that the provided information is complete and accurate; however, images and specifications are subject to change without notice. Visit our website at www.ardaappliances.com for the latest version of this manual.



Distributed by **Arda Appliances NA.**
501 Oakdale Road, Toronto, Ontario M3N 1W7
Tel: 416-646-2500 Fax: 416-646-2505
1-800-387-3924 or 1-800-268-4086
www.ardaappliances.com

Arda®

Style your kitchen