

36" CHARCOAL GRILL

Model No. C1CH36



Features:

- Adjustable fuel tray
- 875 sq. in. cooking area
- For use with charcoal or wood chips
- Adjustable dampers for controlling air flow
- Complete 304 stainless steel construction
- Integrated wind guard
- LED pin lights on front control panel

Dimensions:

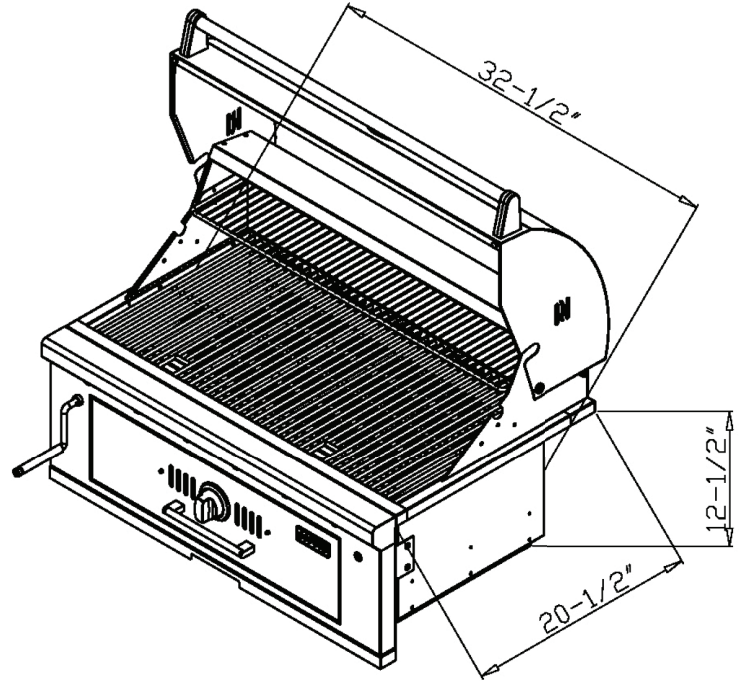
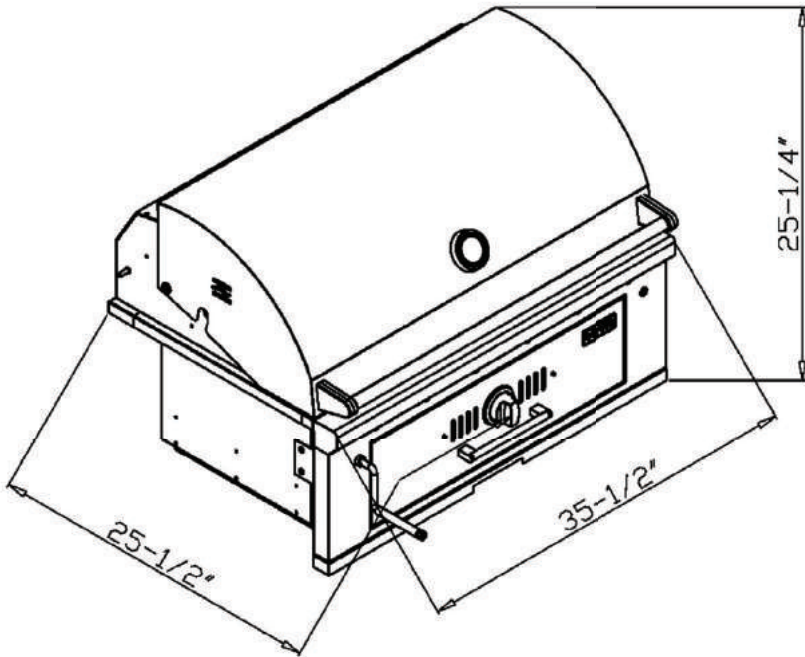
- Cutout: (H) 12 1/2" X (W) 32 1/2" X (D) 20 1/2"
- Overall: (H) 25 1/4" X (W) 35 1/2" X (D) 25 1/2"

Accessories:

- Laser-Cut Signature Grates (CSIGRATE12)
- 14" stainless steel griddle (C1GRDL)
- Stainless steel cart available
- Custom fit, weather resistant cover

C1CH36 PRODUCT SPECS

DIMENSIONAL RENDERINGS



Overall Product Dimensions			
Model No.	Height	Width	Depth
C1CH36	25 1/4"	35 1/2"	25 1/2"

Cutout Dimensions for Island			
Model No.	Height	Width	Depth
C1CH36	12 1/2"	32 1/2"	20 1/2"

Model No.	Fuel Supply	Electrical Requirements
C1CH36	Lump Charcoal	Qty 1 - 120 VAC 60 Hz Grounded Plug

✓ Due to the C1CH36's ability to cook with charcoal, this grill can NOT be built into a combustible material island and there is NO insulated jacket available

Important Note to Installer: This file is not intended to replace your Owners' Manual which contains specific safety requirements and consumer guidelines. Please refer to your Owners' Manual prior to installing or operating your built-in grill.