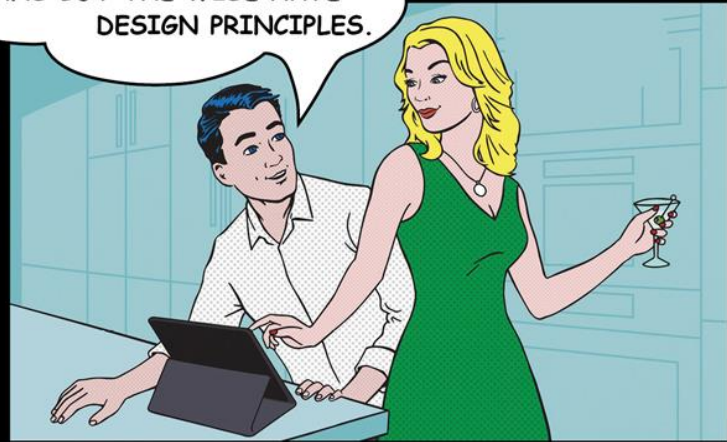


HELP! THE ONLY REASON I HAVE A KITCHEN IS THAT IT CAME WITH THE HOUSE.

THE INTELLIGENT HAVE PLANS BUT THE WISE HAVE DESIGN PRINCIPLES.



CC90-2

36" Electric Cooktop

Porter & Charles

2016 SPECIFICATION SHEET

CC90-2

36" Electric Cooktop

Made from a single sheet of high quality black glass, give your kitchen a streamlined look. The flexible cooking zones provide you with a variety of cooking needs. Electronic touch controls ensure precise heat selection and the highlight zone heats up in less than 5 seconds; saving both time and energy.



COOKTOP PERFORMANCE

- 5 Hi-lite Zones
 - 2 x 15.5cm Single Zone: 1200 Watts
 - 1 x 18cm Double Zone: 1800 Watts
 - 1 x Double Zone:
 - 120cm 750 Watts
 - 210cm 2200 Watts
 - 1 x Oval Zone:
 - 170cm 1400 Watts
 - 26.5cm 2200 Watts

ELECTRICAL REQUIREMENTS

- 208/240 volt, 60Hz, 40 amp, 8600W
- Supplied with a 5ft long electrical cable and must be hard wired

COOKTOP FEATURES

- 5 Hi-Lite zones with quick heating elements with 2 expandable burners
- 9 power levels
- Black ceramic with beveled edges front and back, stainless steel sides to prevent chipping
- Touch control panel
- Child safety lock
- Smart Pause
- Count-down timer
- Residual heat indicator
- Shallow depth allows for easy install over drawers or an oven

COOKTOP DIMENSIONS

D: 20^{3/16}" • W: 35^{7/16}"

D: 512 mm • W: 900 mm

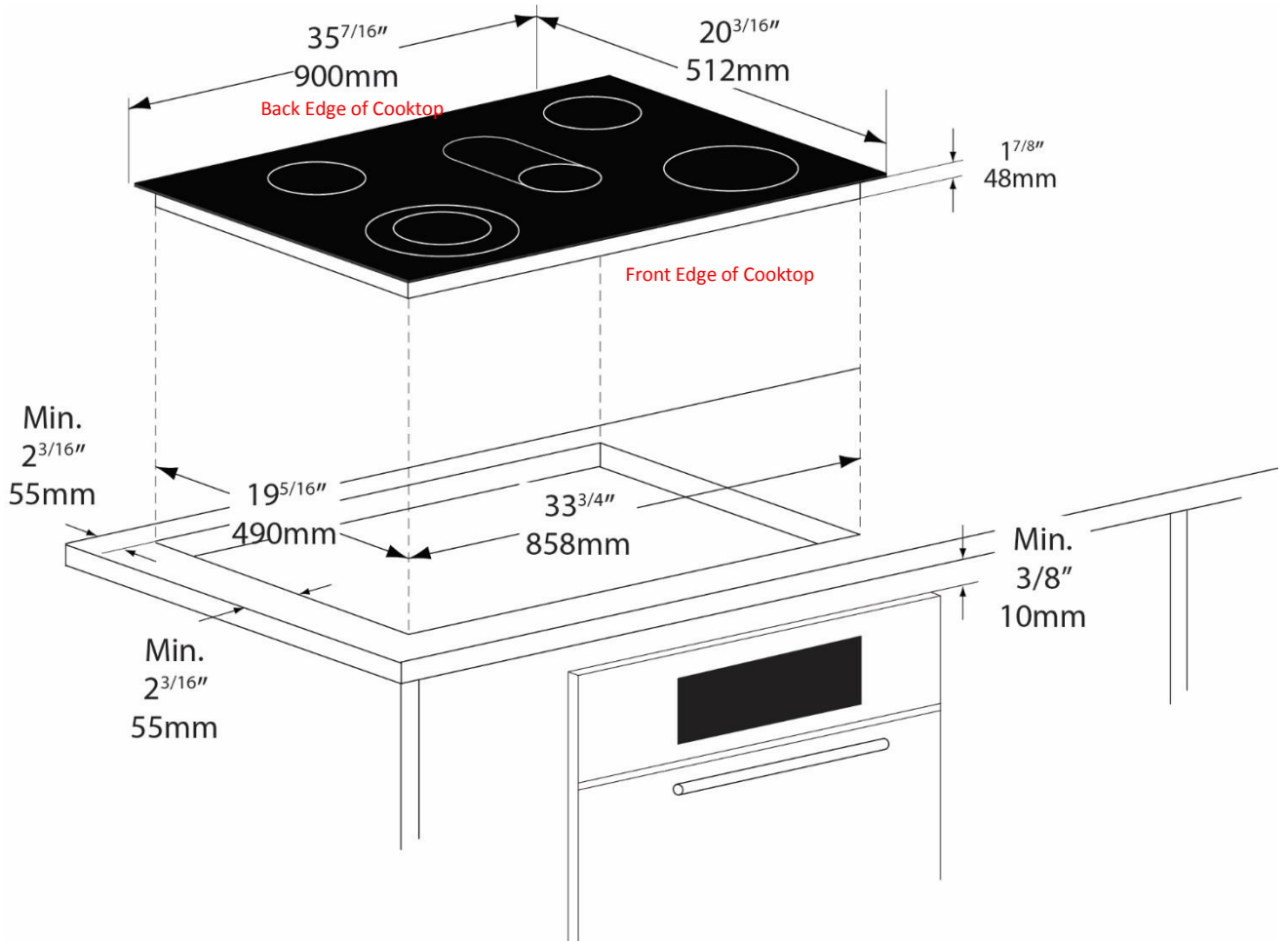
CUT-OUT DIMENSIONS

D: 19^{5/16}" • W: 33^{3/4}"

D: 490 mm • W: 858 mm

SPECIFICATIONS

CC90-2



Specifications are subject to change without notice
V1.0

Porter & Charles

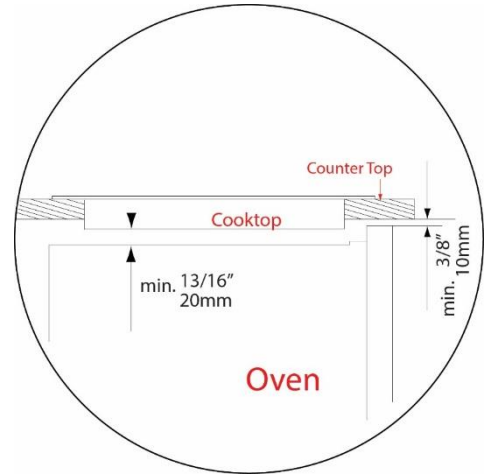
SPECIFICATIONS

CC90-2

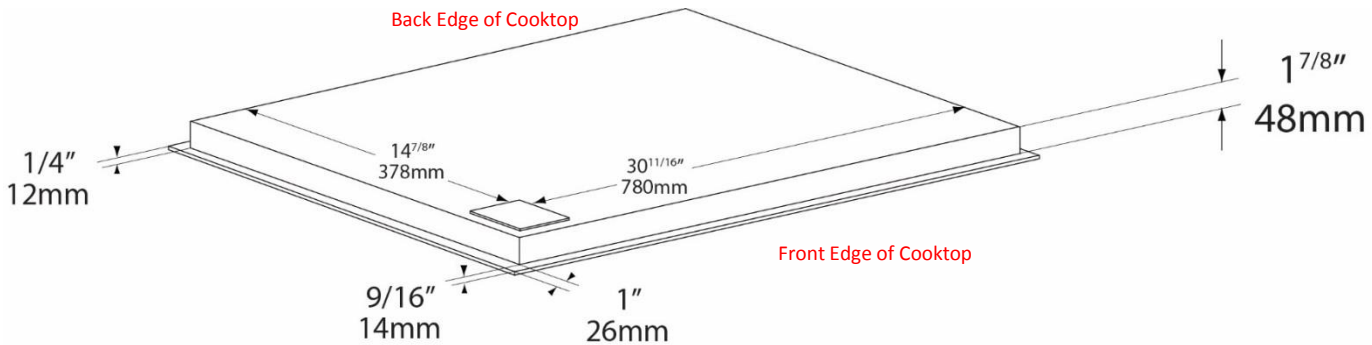
INSTALLING OVER BUILT-IN OVEN

- There must be a minimum of 20mm (13/16") of space left between the bottom of the cooktop and the oven to allow air to flow.
- There must be a minimum of 5mm (3/16") of space left between the counter top and the door panel of a built-in oven / drawer.
- If insufficient air flow is provided, the life of the appliance will be shortened.

SIDE VIEW



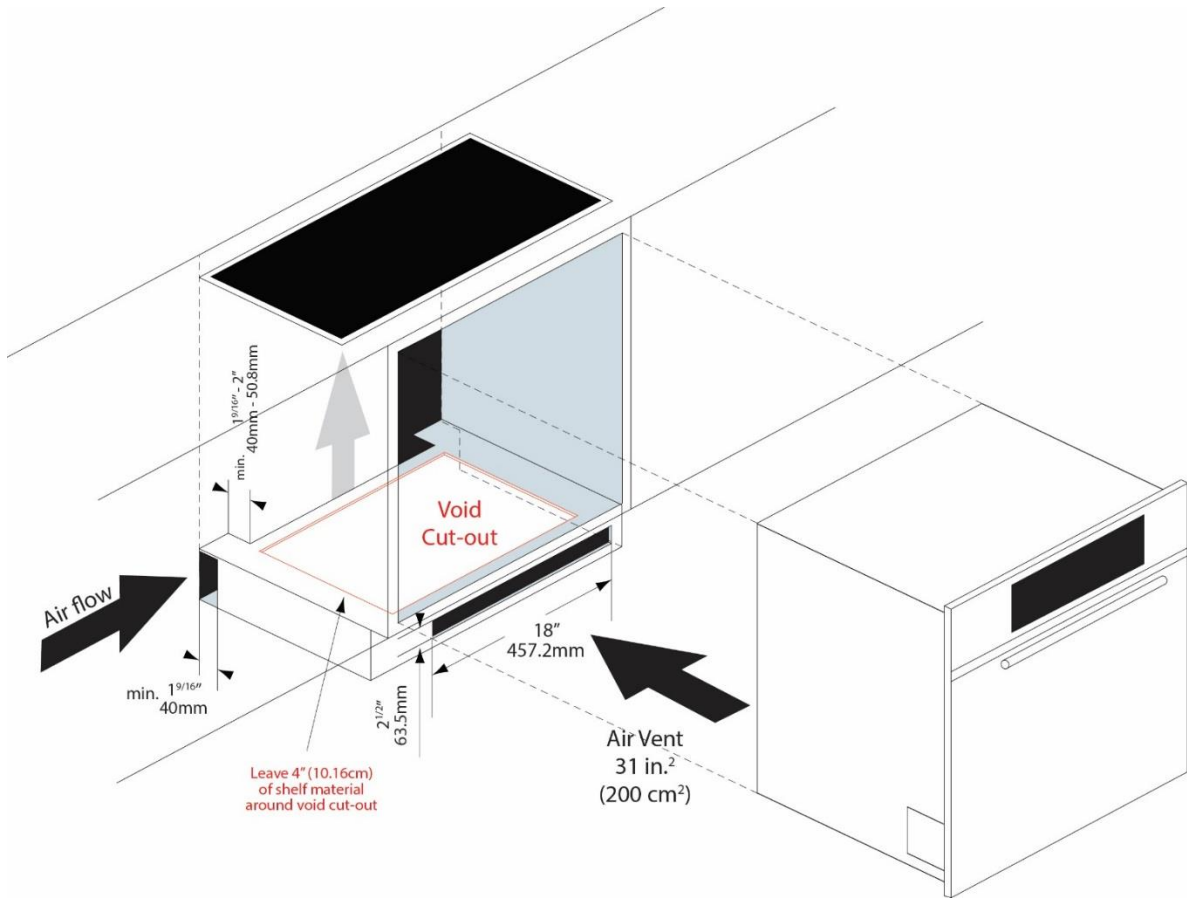
UNDERSIDE VIEW



SPECIFICATIONS

CC90-2

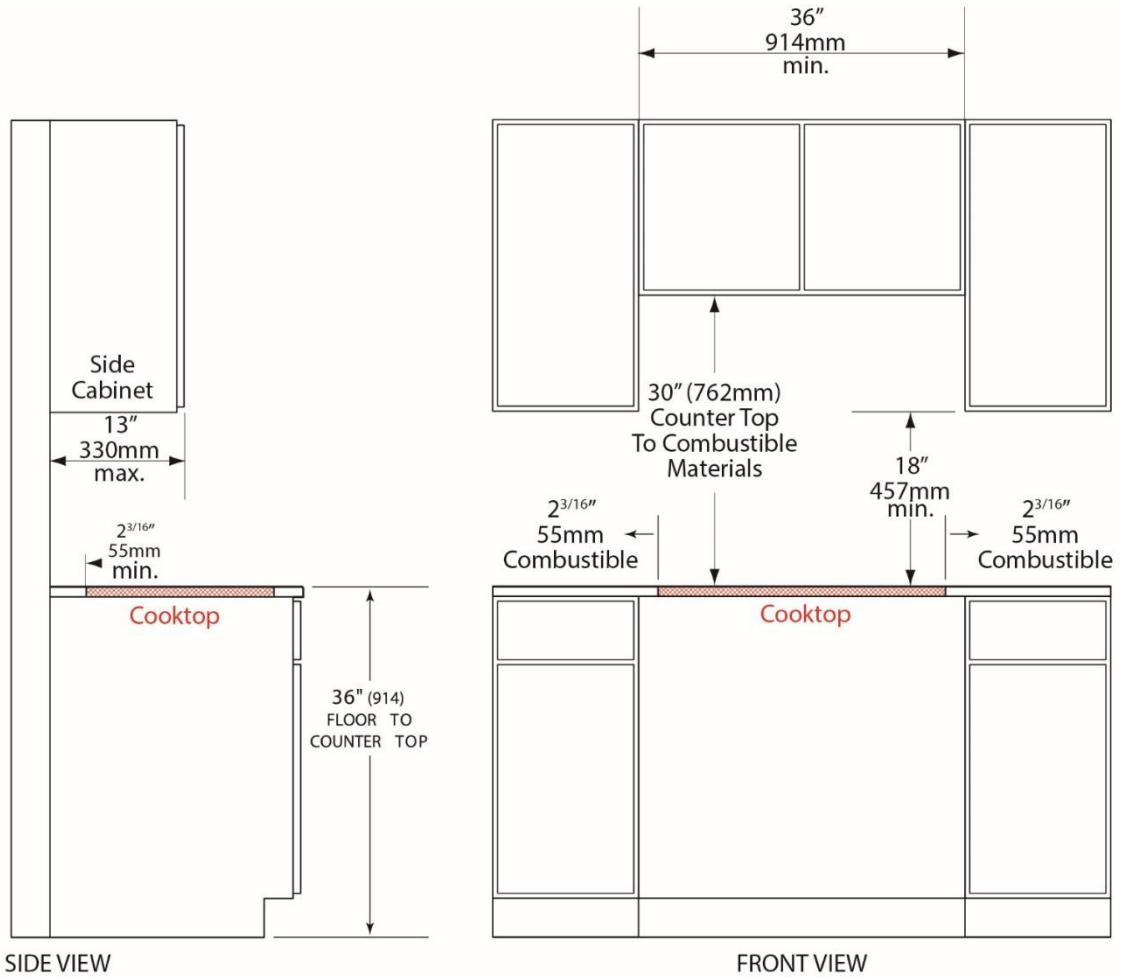
RECOMMENDED CABINET SPECIFICATIONS

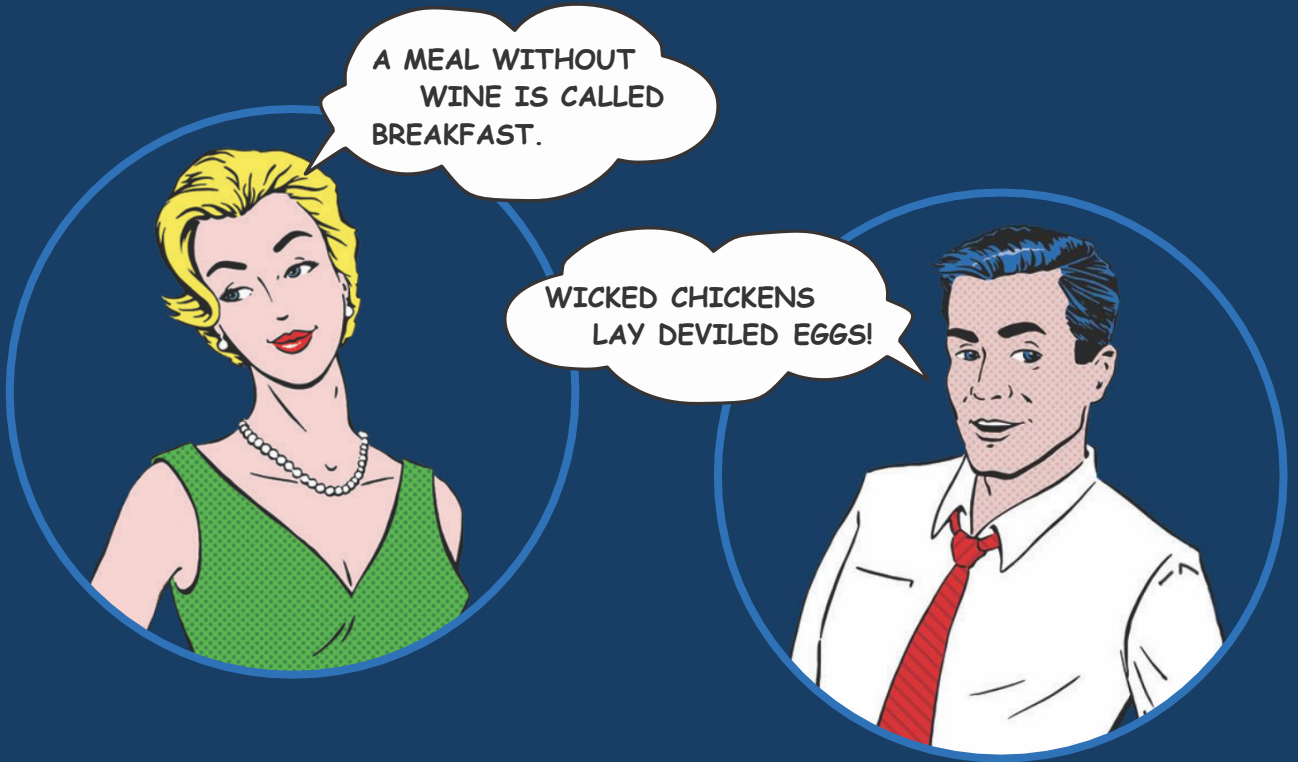


SPECIFICATIONS

CCK60

RECOMMENDED CABINET MINIMUM CLEARANCE





Porter & Charles Appliances are designed and manufactured to the highest standards. Each appliance is covered by a comprehensive 2-year parts and labour warranty.

Refer to product warranty policy for complete terms and conditions.

FOR PARTS AND SERVICE

Euro-Parts & Service

39822 Belgrave Road, Belgrave, ON. N0G 1E0
1 800 678 8352 (Canada) • 1 800 561 4614 (U.S.)

www.euro-parts.ca • parts@euro-parts.ca • service@euro-parts.ca

Porter & Charles appliances are imported and distributed in North America by Euro-Line Appliances Inc. For more information, please visit one of our showrooms or

www.euro-line-appliances.com / www.elawest.com

EURO-LINE APPLIANCES INC.

871 Cranberry Court
Oakville, ON L6L 6J7 Canada
905 829 3980
1 800 421 6332

marketing@euro-line-appliances.com

EURO-LINE APPLIANCES WEST INC.

2912 West 4th Avenue
Vancouver, BC V6K 1R2 Canada
604 235 3980
1 855 ELA WEST (352.9378)

info@elawest.com

