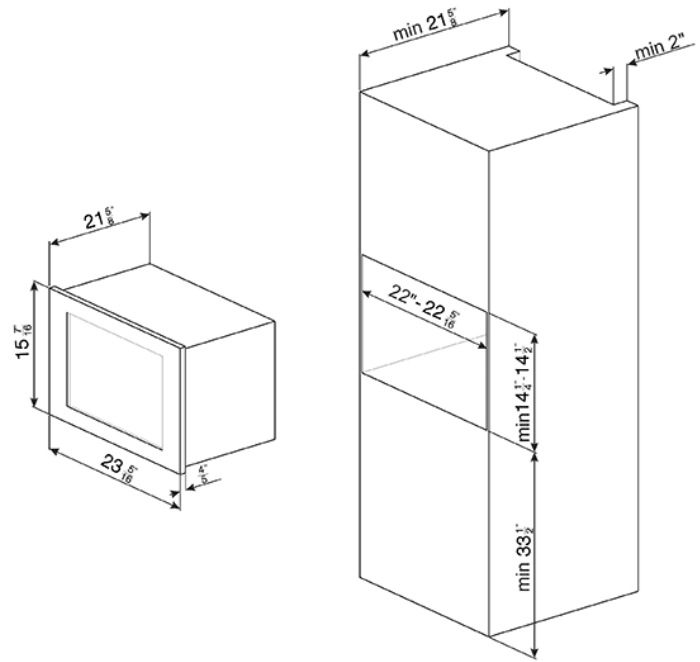


60CM (Approx 24") Built-in Microwave
Stainless Steel
EAN13: 8017709192730



• Microwave with grill, multiple programs • Fingerproof stainless steel • 36 Automatic Programs including Memory and Slow cook • Automatic defrosting by time or weight • Stainless steel interior cavity • Lateral opening door • Single LED display • Quick Start Option • Control Lock / Child Safety • Natural Cooling system • 9 3/4" Turntable • Microwave power: 800 W • Broil element: 900 W • Voltage rating 110V / 60Hz • Connected load (nominal power): 1,280 W • Amps @ 110 V: 11 Amps • **Accessories included:** • Frame kit for built-in installation • 1 Grid • **For availability please contact Smeg USA**

Functions

