

## FAB28UWHL1

### 50's Retro style

50'S Style Refrigerator with ice compartment,  
White, Left hand hinge

EAN13: 8017709208516

Capacity 9.22 cu. ft.

#### REFRIGERATOR:

Interior light

3 adjustable glass shelves

1 bottle rack

1 fixed glass shelf

1 fruit and vegetable container

1 dairy box

#### DOOR:

2 adjustable covered bins

2 bottle storage bins

4 adjustable bins

2 egg bins

#### FREEZER COMPARTMENT

1 Ice cube tray

Climatic class: T

Energy consumption: 305 kWh/year

Voltage: 120V

Current: 10Amps

Frequency: 60Hz

Noise level: 42dB(A) RE 1pW

#### Dimensions (h x w x d)

57½" x 23¾" x 27½"

Gross weight: 181.4lbs

Net weight: 156.5lbs

When positioning these appliances adjacent to a kitchen unit, a gap of 6 7/8" must be left on the hinged side of the product to allow the door to open. When positioning next to a wall, it is recommended to leave a larger gap of 12 1/2".



---

## Versions

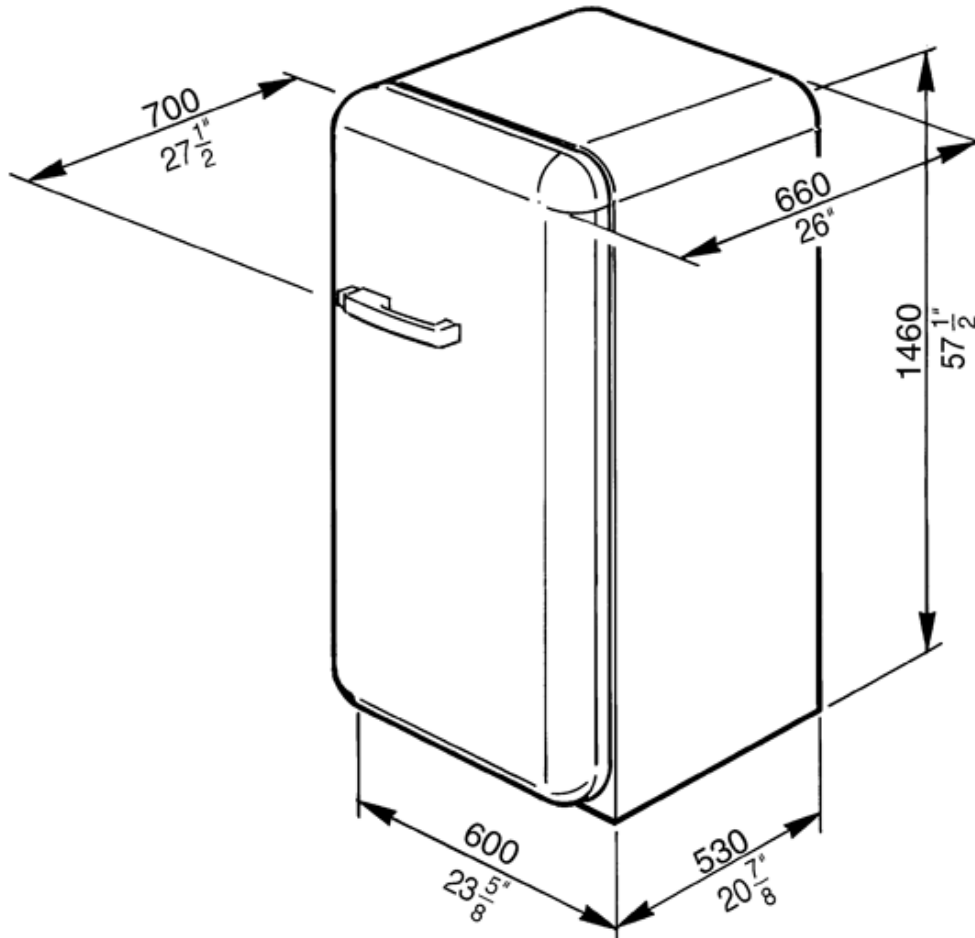
- **FAB28UWHR1** - White, right hand hinge



## FAB28UWHL1

50's Retro style

fridge  
free standing  
50's style  
white  
24"



SMEG U.S.A. INC.  
A&D BUILDING  
150 EAST 58th STREET, 7th FLOOR  
NEW YORK, NY, 10155  
Tel. +1 212 265 5378  
Fax +1 212 265 5945