

FAB28UCRL1

50's Retro style

50'S Style Refrigerator with ice compartment,
Cream, Left hand hinge

EAN13: 8017709208394

Capacity 9.22 cu. ft.

REFRIGERATOR:

Interior light

3 adjustable glass shelves

1 bottle rack

1 fixed glass shelf

1 fruit and vegetable container

1 dairy box

DOOR:

2 adjustable covered bins

2 bottle storage bins

4 adjustable bins

2 egg bins

FREEZER COMPARTMENT

1 Ice cube tray

Climatic class: T

Energy consumption: 305 kWh/year

Voltage: 120V

Current: 10Amps

Frequency: 60Hz

Noise level: 42dB(A) RE 1pW

Dimensions (h x w x d)

57½" x 23¾" x 27½"

Gross weight: 181.4lbs

Net weight: 156.5lbs

When positioning these appliances adjacent to a kitchen unit, a gap of 6 7/8" must be left on the hinged side of the product to allow the door to open. When positioning next to a wall, it is recommended to leave a larger gap of 12 1/2".



Versions

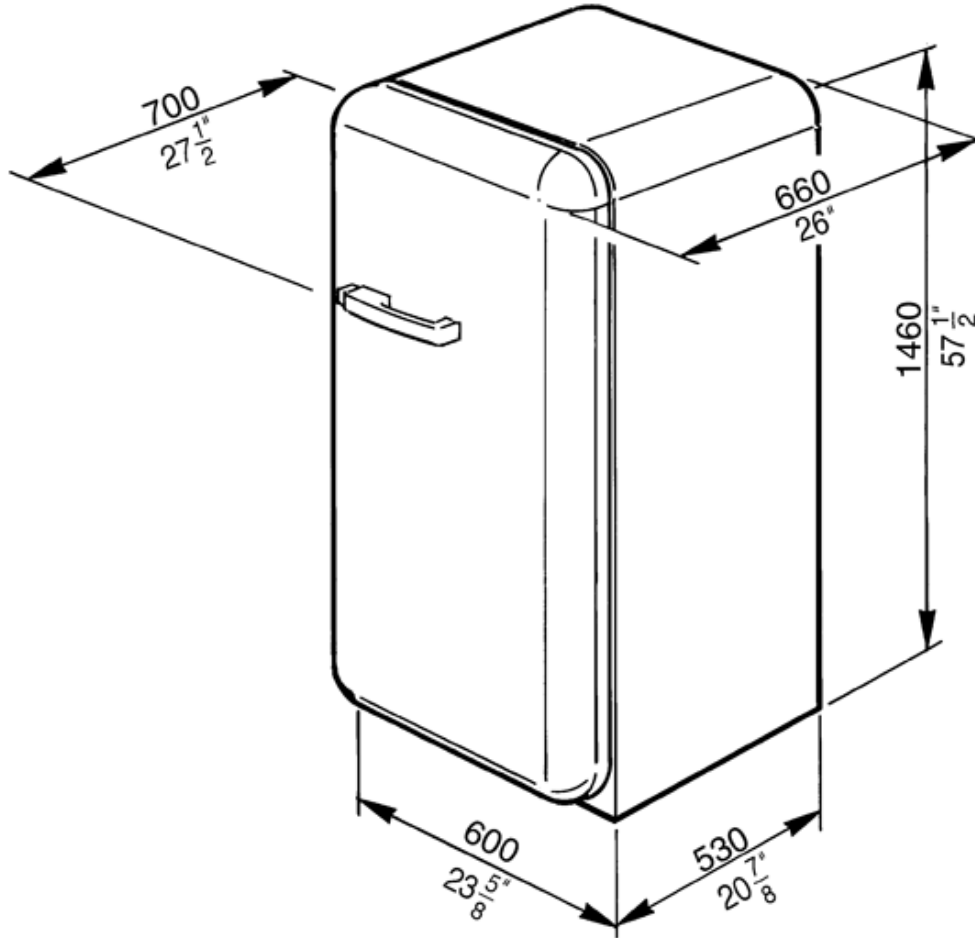
- **FAB28UCRR1** - Cream, right hand hinge



FAB28UCRL1

50's Retro style

fridge
free standing
50's style
cream
24"



SMEG U.S.A. INC.
A&D BUILDING
150 EAST 58th STREET, 7th FLOOR
NEW YORK, NY, 10155
Tel. +1 212 265 5378
Fax +1 212 265 5945