

# DAMA WALL RANGE HOOD

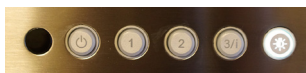
**SLIM CANOPY HOOD.** *The New and improved Dama* is a slim canopy style 20" deep hood with advanced features and attractive styling. With LED lighting, 4 speed control and one piece body design, this value canopy hood delivers.



## AVAILABLE MODELS

Model #	Size / Color	Motor Class (CFM)	Sound Levels (sones)
DAMA30SS600	30 Stainless	600 CFM	2.8 - 7.5 sones
DAMA36SS600	36 Stainless	600 CFM	2.8 - 7.5 sones

## KEY FEATURES



### Back-lit electronic controls

Back-lit electronic controls with a White LED light to indicate the current speed and energy efficient



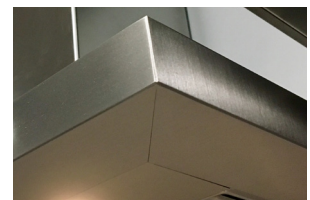
### Remote Control (optional)

Control all features of the hood from the convenience of a wireless remote control (sold separately).



### Baffle Grease Filters

Dishwasher safe SS metal filters capture grease and allow for easy clean up in the dishwasher.



### One Piece Body

Solid - one piece construction with hand wrapped & polished edges and seamless design

# DAMA WALL RANGE HOOD

## SPECIFICATIONS

min / max ceiling height	7' 6" - 9' 1/16"
convertible to ductless / recirculating	yes - kit sold separately
canopy depth / height	20"   6 9/16"
high ceiling kit	yes - up to 11' 4"
controls	4 speed push button white LED
lighting	2 X 5 (w) LED
ducting top	6" round
grease filters	dishwasher safe stainless steel baffle
adjustable mounting hardware	yes
ADA compliant	yes - with remote control purchase
power cord	yes
AC input / AC Power	320 watts / 2.7 amps

## PERFORMANCE

	SPEED	1	2	3	BOOST
CFM		150	350	450	560
Sones		2.8	4.3	6.0	7.5

## MIN / MAX CEILING HEIGHTS

	DUCTED	RECIRC	HIGH CEILING
Min @ 24" OFF	7' 6"	7' 6"	9' 1 9/16"
Max @ 30" OFF	9' 1/16"	9' 1/16"	11' 4"

## ACCESSORIES

# FILTER2 -

### Charcoal Filter Kit

High quality charcoal filter for use when recirculating the air back into the kitchen. Filters out odor and should be replaced every 6 months.

# HIGH3 -

### High Ceiling Chimney Kit

Extends the chimney for high ceilings up to 11' 4"

# DUCT4

### Ductless Conversion Kit

To convert the Dama to ductless, this kit includes charcoal filters and a diverter to send the air thru the side grates on the upper chimney.

# CFMRED -

### CFM Reducer Kit\*

For use in make up air areas where an under 300 cfm hood is required. This kit reduces the ducting to 5" round and reduces the cfm to under 300.

# CFMRED2

### CFM Reducer Kit\*

For use in make up air environments where an under 400 cfm hood is required. This kit reduces the ducting to 5" round and reduces the cfm from 600 to under 400.

# MUDAMPER6 / MUDAMPER8 -

### Universal Make-Up Air Damper

Satisfies make-up air requirements, this kit uses an air switch to activate the make-up air damper to open and bring fresh air into the home when the hood fan is on. It then closes tightly when the hood is off. The CFM level is not reduced with this accessory.

# REMCTRL -

### Remote Control

Control all features of the hood from the convenience of a wireless remote control.

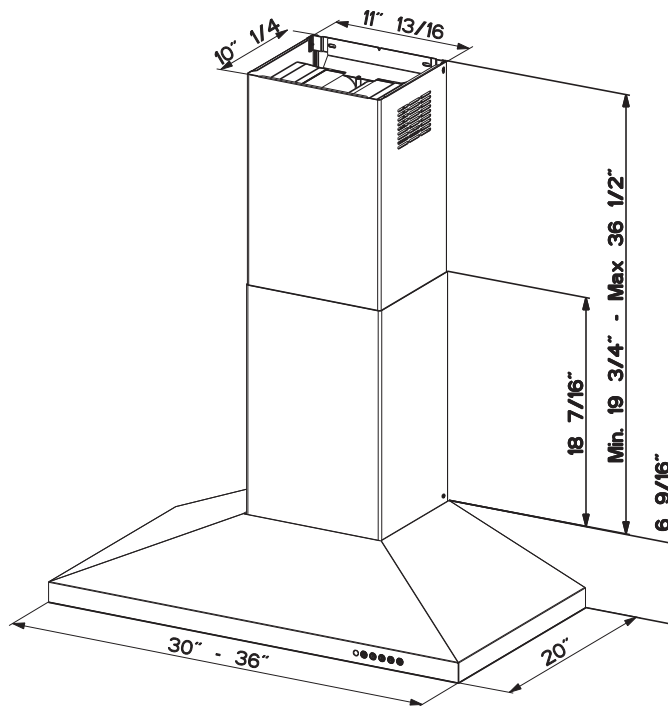
# WIREBOX -

### Fixed Wiring Box

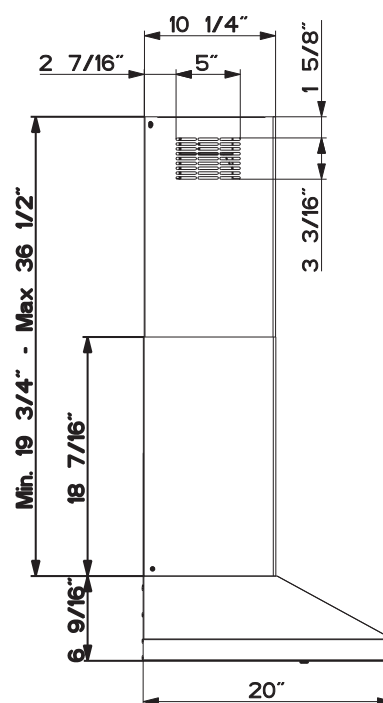
Replace the power cord with a hard wired box to power the range hood.

## DIMENSIONS

### Ducted / Ductless



### Side



WARNING! Product specifications are subject to change without notification. Consult the installation instructions before you begin installing this range hood. \* Check local make up air codes for guidelines.



Imagined in Italy

