

## FTU171X7

36", Stainless Steel French-Door Refrigerator  
with Automatic Freezer

EAN13: 8017709226770

Standard hinge

Fingerprint-proof

Display: LCD

Display functions: fast freezing, fast cooling,  
temperature

Ice & water dispenser

**Refrigerator compartment features:**

Glass adjustable shelves

Crisper compartment

LED refrigerator internal lighting

**Refrigerator inner door:**

2 balcony with transparent cover

3 adjustable balconies

2 bottle balconies

1 egg tray

Natural Plus light

**Freezer compartment features:**

Freezer compartment net volume: 7.7 cu. ft.

2 drawers

**Other freezer features:**

Fast-freezing compartment

**Performance/energy label:**

Annual energy consumption: 681 kWh

Fresh food compartment net volume: 18,4 cu. ft.

Frozen food compartment star rating: 4

Frost-free system

Climatic class: T

Noise level: 43dB(A)

**Electrical connection:**

Voltage: 120V

Frequency (Hz): 60Hz

Plug type: USA

**Dimensions:**

HxWxD 1774x980x1239 mm

69" 13/16 x 36" x 32" 1/2



## Functions



**SMEG U.S.A. INC.  
A&D BUILDING  
150 EAST 58th STREET, 7th FLOOR  
NEW YORK, NY, 10155  
Tel. +1 212 265 5378  
Fax +1 212 265 5945**



**FTU171X7**

fridge  
free standing  
french door  
stainless steel  
36"



**Energy Star and ISO14001 Certified:**

The Smeg production process is carefully managed in order to keep the impact upon the environment as low as possible. The process is checked and certified by Independent International bodies IQNET and CISQ (Smeg complies with the standard ISO14001). All Smeg dishwashers are ENERGY STAR qualified. Energy efficiency is important to Smeg and our technicians are constantly working to keep the energy, and water, consumption of each dishwasher as low as possible. ENERGY STAR certified products use less water than conventional dishwashers, and approximately 40% less energy than the federal minimum standard for energy consumption. By choosing an ENERGY STAR certified product you are helping to preserve the environment without compromising on product quality or performance.

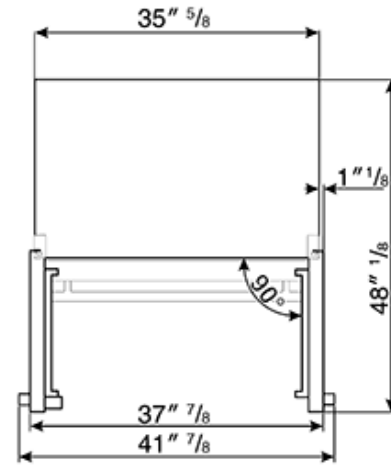
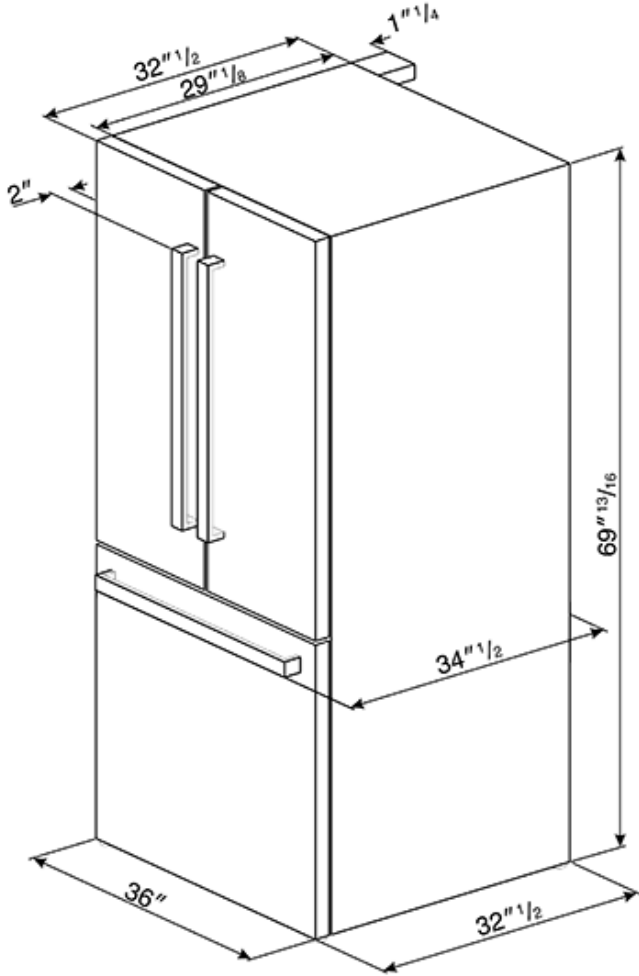


**SMEG U.S.A. INC.**  
**A&D BUILDING**  
**150 EAST 58th STREET, 7th FLOOR**  
**NEW YORK, NY, 10155**  
**Tel. +1 212 265 5378**  
**Fax +1 212 265 5945**



FTU171X7

fridge  
free standing  
french door  
stainless steel  
36"



SMEG U.S.A. INC.  
A&D BUILDING  
150 EAST 58th STREET, 7th FLOOR  
NEW YORK, NY, 10155  
Tel. +1 212 265 5378  
Fax +1 212 265 5945