

Installation Instructions

for Dryers



Original Instructions

Keep These Instructions for Future Reference.

CAUTION: Read the instructions before using the machine.

(If this machine changes ownership, this manual must accompany machine.)





WARNING



WARNING



Risk of fire. Highly flammable material.

W881



Read all instructions before using unit.



WARNING

FOR YOUR SAFETY, the information in this manual must be followed to minimize the risk of fire or explosion or to prevent property damage, personal injury or death.

W033



WARNING

- Do not store or use gasoline or other flammable vapors and liquids in the vicinity of this or any other appliance.
- **WHAT TO DO IF YOU SMELL GAS:**
 - Do not try to light any appliance.
 - Do not touch any electrical switch; do not use any phone in your building.
 - Clear the room, building or area of all occupants.
 - Immediately call your gas supplier from a neighbor's phone. Follow the gas supplier's instructions.
 - If you cannot reach your gas supplier, call the fire department.
- Installation and service must be performed by a qualified installer, service agency or the gas supplier.

W052

IMPORTANT: Purchaser must consult the local gas supplier for suggested instructions to be followed if the dryer user smells gas. The gas utility instructions plus the SAFETY and WARNING note directly above must be posted in a prominent location near the dryer for customer use.



WARNING

- Installation of unit must be performed by a qualified installer.
- Install clothes dryer according to manufacturer's instructions and local codes.
- **DO NOT** install a clothes dryer with flexible plastic venting materials. If flexible metal (foil type) duct is installed, it must be of a specific type identified by the appliance manufacturer as suitable for use with clothes dryers. Refer to section on connecting exhaust system. Flexible venting materials are known to collapse, be easily crushed, and trap lint. These conditions will obstruct clothes dryer airflow and increase the risk of fire.

W729R1



WARNING

To reduce the risk of severe injury or death, follow all installation instructions. Save these instructions.

W894



WARNING

FOR YOUR SAFETY

Do not store or use gasoline or other flammable vapors and liquids in the vicinity of this or any other appliance.

W053

This product uses FreeRTOS V7.2.0 (www.freertos.org).

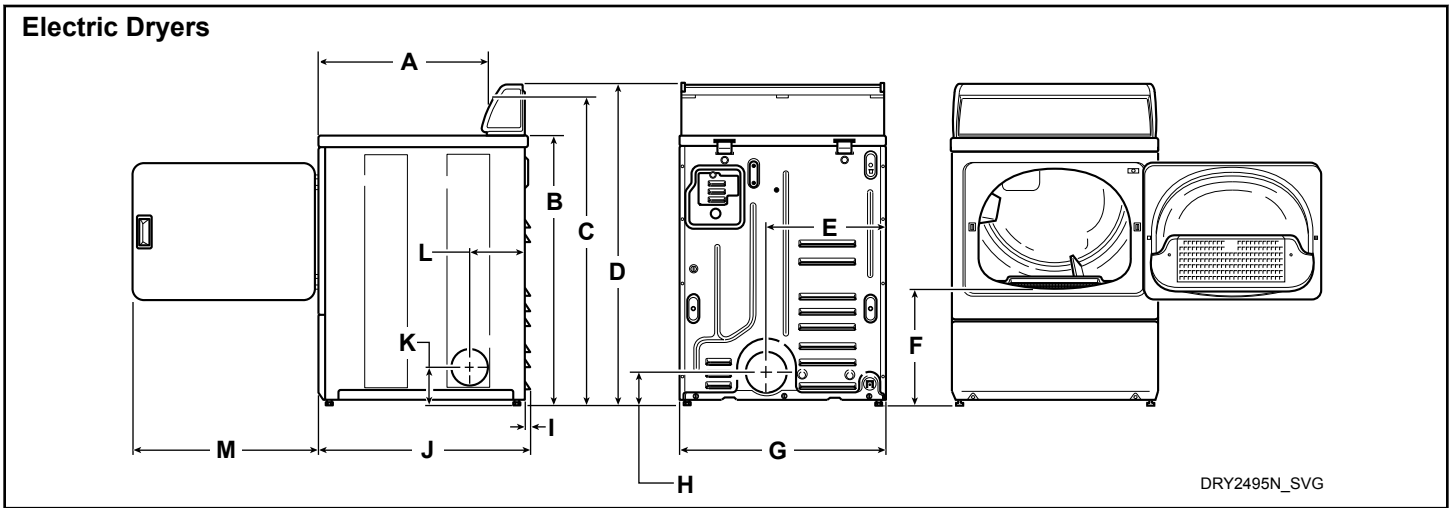
Table of Contents

Dimensions.....	5
Installation.....	7
Before You Start.....	7
Supplies.....	7
Order of Installation Steps.....	7
Position and Level the Dryer.....	7
Connect Dryer Exhaust System.....	9
Exhaust Direction.....	10
Exhaust System.....	11
Gas Dryers - Connect Gas Supply Pipe.....	11
Reverse Door, if Desired.....	13
Wipe Out Inside of Dryer.....	14
Plug In the Dryer.....	15
Electric Dryers with 4-Wire Plug (Supplied with Dryer).....	15
Electric Dryers with 3-Wire Plug (Requires Conversion).....	16
Gas Dryer.....	19
Recheck Steps.....	20
Check Heat Source.....	20
Electric Dryers.....	20
Gas Dryers.....	20
Installer Checklist.....	22

© Copyright 2017, Alliance Laundry Systems LLC

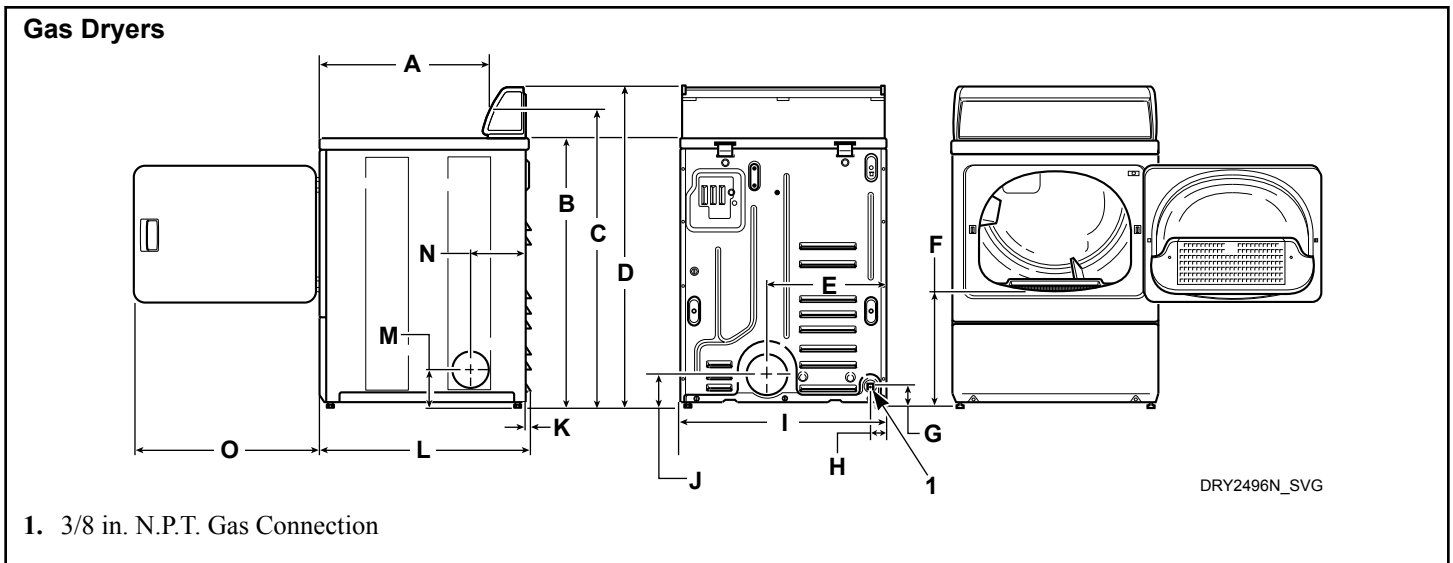
All rights reserved. No part of the contents of this book may be reproduced or transmitted in any form or by any means without the expressed written consent of the publisher.

Dimensions



DRY2495N_SVG

A	589 mm [23.19 in.]
B	* 914 mm [36 in.]
C	* 1036 mm [40.77 in.]
D	* 1092 mm [43 in.]
E	391 mm [15.4 in.]
F	* 392 mm [15.44 in.]
G	683 mm [26.875 in.]
H	* 102 mm [4 in.]
I	10 mm [0.4 in.]
J	711 mm [28 in.]
K	* 114 mm [4.5 in.]
L	203 mm [8 in.]
M	597 mm [23.5 in.]
NOTE: Exhaust openings are 102 mm [4 inch] metal ducting.	* With leveling legs turned into base.



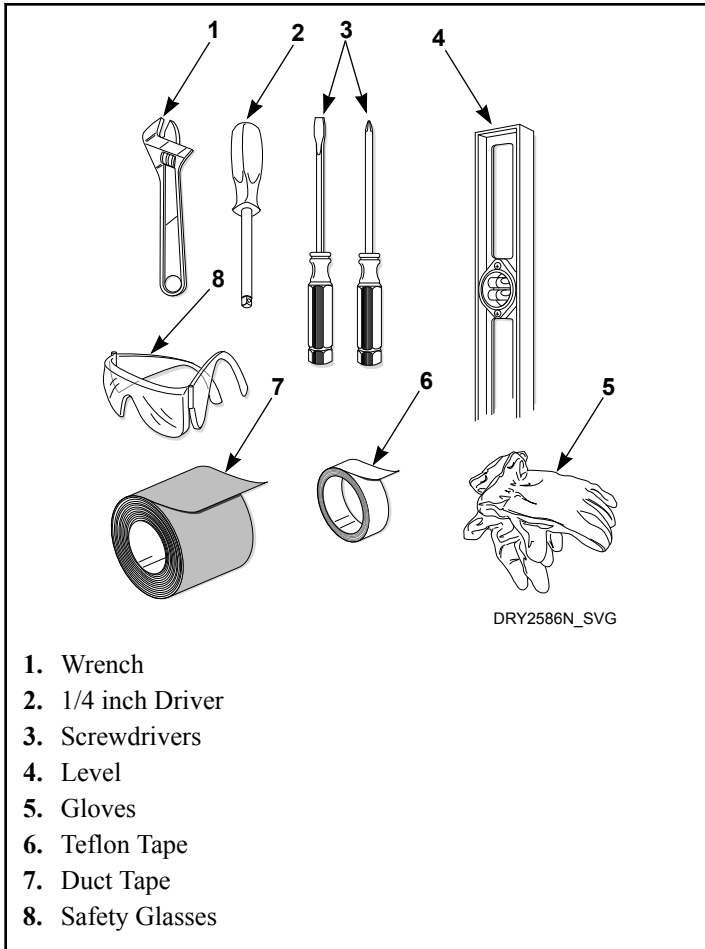
A	589 mm [23.19 in.]
B	* 914 mm [36 in.]
C	* 1036 mm [40.77 in.]
D	* 1092 mm [43 in.]
E	391 mm [15.4 in.]
F	* 392 mm [15.44 in.]
G	* 70 mm [2.8 in.]
H	60 mm [2.3 in.]
I	683 mm [26.875 in.]
J	* 102 mm [4 in.]
K	10 mm [0.4 in.]
L	711 mm [28 in.]
M	* 114 mm [4.5 in.]
N	203 mm [8 in.]
O	597 mm [23.5 in.]
NOTE: Exhaust openings are 102 mm [4 inch] metal ducting.	* With leveling legs turned into base.

Installation

Before You Start

Supplies

For most installations, the basic supplies you will need are:



1. Wrench
2. 1/4 inch Driver
3. Screwdrivers
4. Level
5. Gloves
6. Teflon Tape
7. Duct Tape
8. Safety Glasses

Figure 1

NOTE: This appliance is suitable for use in countries having a warm, damp climate.



WARNING

Any disassembly requiring the use of tools must be performed by a suitably qualified service person.

W299

Order of Installation Steps

1. Position and level the dryer.
2. Connect dryer to exhaust system.
3. For gas models only, connect the gas supply pipe. Check for gas leaks.

4. Reverse the door, if desired.
5. Wipe out the inside of the dryer.
6. Plug in the dryer.
7. Recheck steps.
8. Start and run the dryer in a heat setting to verify dryer is heating.

Position and Level the Dryer

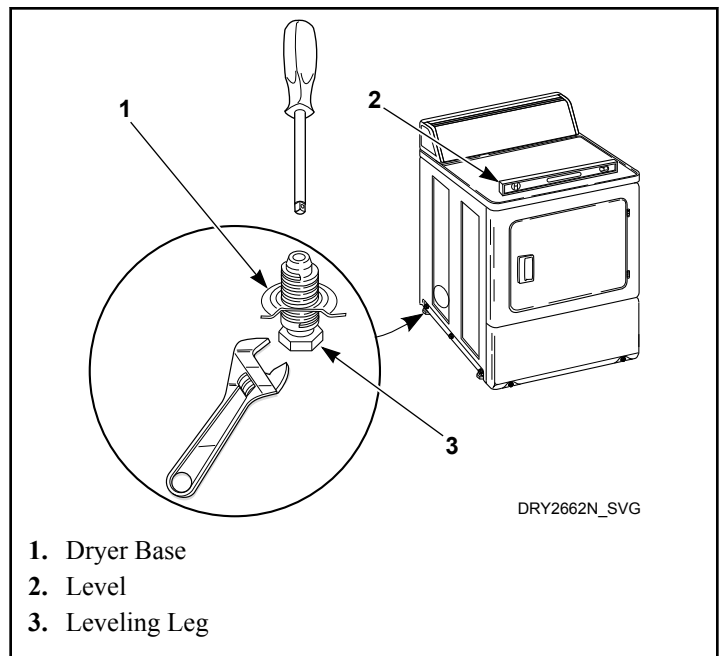
1. Install dryer before washer. This allows room for attaching exhaust duct.
2. Select a location with a solid floor. Dryers installed in residential garages must be elevated 457 mm [18 inches] above the floor.

No other fuel burning appliance should be installed in the same closet with the dryer.

The dryer must not be installed or stored in an area where it will be exposed to water and/or weather.

The dryer needs sufficient clearance and an adequate air supply for proper operation and ventilation, and for easier installation and servicing. (Minimum clearances are shown in *Figure 3*).

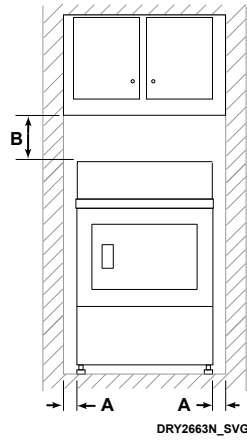
3. Place the dryer in position, and adjust the legs until the dryer is level from side to side and front to back. Leveling legs can be adjusted from inside the dryer with a 1/4 in. driver.
4. All four legs must rest firmly on the floor so the weight of the dryer is evenly distributed. The dryer must not rock.



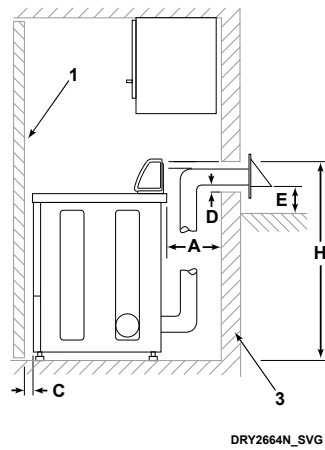
1. Dryer Base
2. Level
3. Leveling Leg

Figure 2

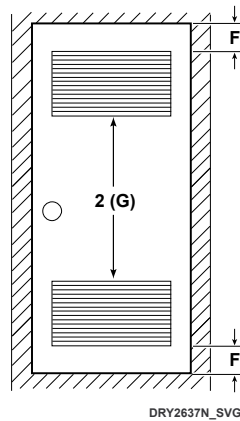
Front View (Without Closet Door)



Side View (Closet Door)



Front View (Closet Door)



- 1. Closet Door
- 2. Centered Air Openings (G) (2 Openings minimum)
- 3. Outer Wall of Enclosure

Figure 3


Area	Description	Free Standing/Alcove Installation	Closet Installation
A*	Dryer sides and rear clearance	0 mm [0 in.]	0 mm [0 in.]
B	Dryer top clearance	305 mm [12 in.]	305 mm [12 in.]
C	Dryer front clearance	Not Applicable	51 mm [2 in.]
D	Exhaust duct clearance to combustible material	51 mm [2 in.]	51 mm [2 in.]
E	Weather hood to ground clearance	305 mm [12 in.]	305 mm [12 in.]
F	Distance from floor or ceiling to air opening edge	Not Applicable	76 mm [3 in.]
G	Area of centered air openings in closet door. Louvered door with equivalent air openings is acceptable. (Minimum clearances are shown.)	Not Applicable	1016 sq. mm/open [40 sq. in./open]
H	For new installations, it is suggested to locate top of wall vent 1067 mm [42 inches] above floor to make venting easier to connect.	1067 mm [42 in.]	1067 mm [42 in.]
*	Rear clearance is minimum. 51 mm [2 inches] is recommended for utility connection. 152 mm [6 inches] is recommended when venting through rear of unit.		


Table 1


IMPORTANT: In mobile home installations, gas dryers MUST be permanently attached to the floor at the time of installation. Order No. 526P3 Hold Down Kit (available at extra cost) for a manufactured (mobile) home installation. Follow the instructions supplied with the kit.

Installation of unit must conform to the Manufactured Home Construction and Safety Standards, Title 24 CF4, Part 32-80 or Standard CAN/CSA-Z240 MH.

Connect Dryer Exhaust System

	WARNING
<p>To reduce the risk of fire and combustion gas accumulation the dryer MUST be exhausted to the outdoors.</p>	
W604	

	WARNING
<p>To reduce the risk of fire and the accumulation of combustion gases, DO NOT exhaust dryer air into a window well, gas vent, chimney or enclosed, unventilated area, such as an attic, wall, ceiling, crawl space under a building or concealed space of a building.</p>	
W045	

	WARNING
<p>To reduce the risk of fire, DO NOT use plastic or thin foil ducting to exhaust the dryer.</p>	
W354	

	WARNING
<p>To reduce the risk of fire, the exhaust duct and weather hood MUST be fabricated of a material that will not support combustion. Rigid or flexible metal pipe is recommended for a clothes dryer.</p>	
W048	

	WARNING
<p>To reduce the risk of fire due to increased static pressure, we do not recommend installation of in-line secondary lint filters or lint collectors. If secondary systems are mandated, frequently clean the system to assure safe operation.</p>	
W749	

IMPORTANT: Installing in-line filters or lint collectors will cause increased static pressure. Failure to maintain the secondary lint system will decrease dryer efficiency and will void machine warranty.

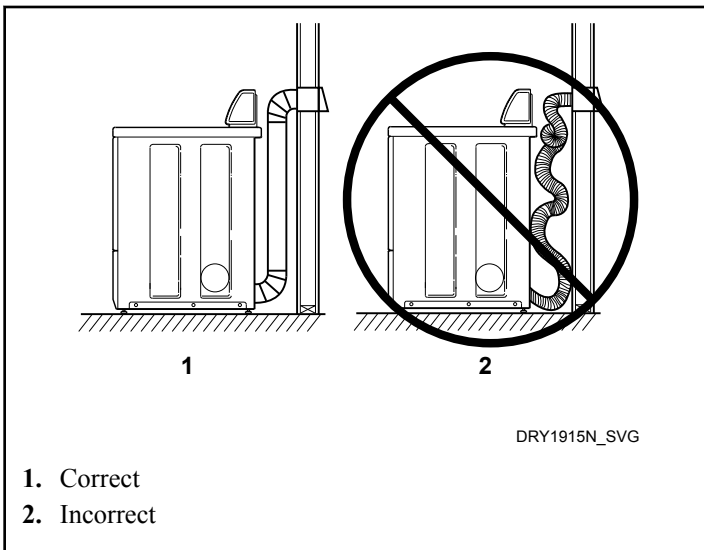


Figure 4

- DO NOT use plastic, thin foil or type B ducting. Rigid metal duct is recommended.
- Locate dryer so exhaust duct is as short as possible.
- Be certain old exhaust ducts are cleaned before installing your new dryer.
- Use 102 mm [4 inch] diameter rigid or flexible metal duct.
- The male end of each section of duct must point away from the dryer.
- Use as few elbows as possible.
- Use of duct tape or pop-rivets on all seams and joints is recommended, if allowed by local codes. DO NOT use sheet

metal screws or fasteners on exhaust pipe joints which extend into the duct and catch lint.

- Ductwork that runs through unheated areas must be insulated to help reduce condensation and lint build-up on pipe walls.
- Install backdraft dampers in multi-dryer installations.
- In mobile home installations, dryer exhaust duct must be secured to mobile home structure.
- Dryer exhaust duct MUST NOT terminate under mobile home.
- Exhaust duct must not be connected to any other duct, vent, or chimney.
- Dryer exhausts 220 cfm (measured at back of dryer).
- DO NOT install flexible duct in concealed spaces, such as a wall or ceiling.
- Static pressure in exhaust duct should not be greater than 1.5 cm water column [0.6 inches water column], measured with manometer placed on exhaust duct 610 mm [2 feet] from dryer (check with dryer running and no load). In multi-dryer installations, all dryers connected to the main collector duct should be operating when pressure is checked.
- Exhausting dryer in hard-to-reach locations can be done by installing 521P3 Flexible Metal Vent Kit (available as optional equipment at extra cost).
- Sufficient make-up air must be supplied to replace the air exhausted by the dryer. The free area of any opening for outside air must be at least 25806 mm² [40 in.²].
- Energy efficient buildings with low air infiltration rates should be equipped with an air exchanger that can accommodate on demand make-up air needs in the laundry room. These devices can be obtained through your building contractor or building material suppliers.
- Do not draw make-up air from a room containing a gas fired water heater, a dry cleaner or a hair salon.
- Failure to exhaust dryer properly will void warranty.
- A dryer will dissipate 681,392 J/m² [60 Btu/ft²] of surface area exposed to the conditioned air.

NOTE: Venting materials are not supplied with the dryer (obtain locally).

IMPORTANT: DO NOT block the airflow at the bottom of the dryer's front panel with laundry, rugs, etc. Blockage will decrease airflow through the dryer, thus reducing the efficiency of the dryer.

Exhaust Direction

The dryer can be exhausted to the outdoors through the back, left, right or bottom of the dryer. EXCEPTION: Gas dryers cannot be vented out the left side because of the burner housing.

Dryer is shipped from factory ready for rear exhaust.

Exhausting the dryer through sides or bottom can be accomplished by installing a Directional Exhaust Kit, 528P3, available as optional equipment at extra cost.

Exhaust System

For best drying results, recommended maximum length of exhaust system is shown in *Table 2*.

To prevent backdraft when dryer is not in operation, outer end of exhaust pipe must have a weather hood with hinged dampers (obtain locally).

NOTE: Weather hood should be installed at least 305 mm [12 inches] above the ground. Larger clearances may be necessary for installations where heavy snow-fall can occur.

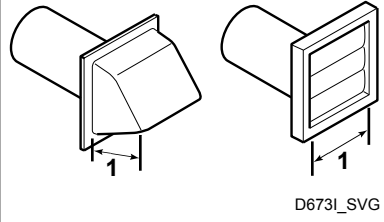
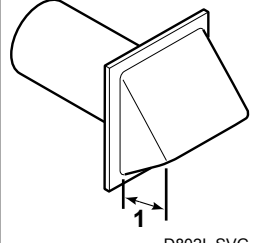

Number of 90° Elbows	Weather Hood Type	
	Recommended	Use Only for Short Run Installations
	 <p>1. 102 mm [4 in.]</p>	 <p>1. 64 mm [2.5 in.]</p>
Maximum length of 102 mm [4 in.] diameter rigid metal duct.		
0	19.8 m [65 feet]	16.8 m [55 feet]
1	16.8 m [55 feet]	14.3 m [47 feet]
2	14.3 m [47 feet]	12.5 m [41 feet]
3	11.0 m [36 feet]	9.1 m [30 feet]
4	8.5 m [28 feet]	6.7 m [22 feet]

Table 2

NOTE: Deduct 1.8 m [6 feet] for each additional elbow.

NOTE: The maximum length of a 102 mm [4 in.] diameter flexible metal duct must not exceed 2.4 m [7.87 ft.], as required to meet UL2158, clause 7.3.2.A.

Gas Dryers - Connect Gas Supply Pipe

	WARNING
<p>To reduce the risk of gas leaks, fire or explosion:</p> <ul style="list-style-type: none"> The dryer must be connected to the type of gas as shown on nameplate located in the door recess. Use a new flexible stainless steel connector. Use pipe joint compound insoluble in L.P. (Liquefied Petroleum) Gas, or Teflon tape, on all pipe threads. Purge air and sediment from gas supply line before connecting it to the dryer. Before tightening the connection, purge remaining air from gas line to dryer until odor of gas is detected. This step is required to prevent gas valve contamination. Do not use an open flame to check for gas leaks. Use a non-corrosive leak detection fluid. Any disassembly requiring the use of tools must be performed by a suitably qualified service person. 	
W316	

1. Make certain your dryer is equipped for use with the type of gas in your laundry room. Dryer is equipped at the factory for Natural Gas with a 3/8 inch NPT gas connection.

NOTE: The gas service to a gas dryer must conform with the local codes and ordinances, or in the absence of local codes and ordinances, with the latest edition of the National Fuel Gas Code ANSI Z223.1/ NFPA 54 or the CAN/CSA-B149.1 Natural Gas and Propane Installation Code.

Natural Gas, 37.3 MJ/m³ [1000 Btu/ft³], service must be supplied at minimum 5.0 inch water column pressure to maximum 10.5 inch water column pressure.

For proper operation at altitudes above 915 m [3000 feet] the natural gas valve spud orifice size must be reduced to ensure complete combustion. Refer to *Table 3*.

Natural Gas Altitude Adjustments			
Altitude	Orifice Size		Part No.
	m [feet]	No.	
915 [3000]	43	2.26 [0.0890]	D503778
1830 [6000]	44	2.18 [0.0860]	58719
2440 [8000]	45	2.08 [0.0820]	D503779

Table 3 *continues...*

Natural Gas Altitude Adjustments			
Altitude	Orifice Size		Part No.
	m [feet]	No.	
2740 [9000]	46	2.06 [0.0810]	D503780
3050 [10,000]	47	1.99 [0.0785]	D503781

Table 3

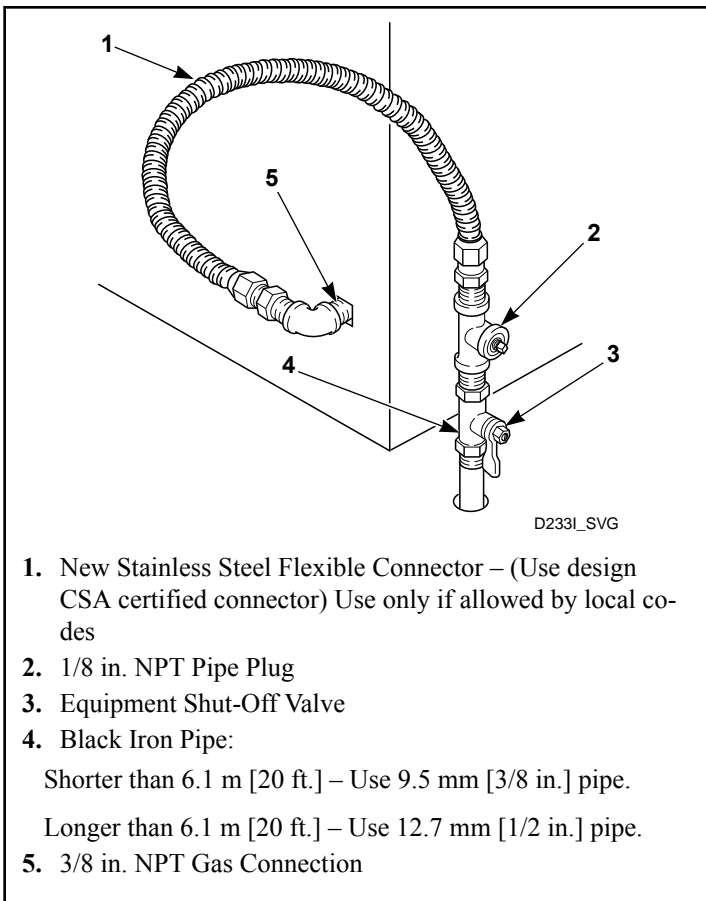
2. Remove the shipping cap from the gas connection at the rear of the dryer. Make sure you do not damage the pipe threads when removing the cap.

NOTE: If gas supply connection is British Standard Pipe Tapered thread (BSPT), order 44178804 brass female NPT (FPT) to male BSPT gas pipe thread adapter, available at extra cost.

3. Connect to gas supply pipe using thread sealant or Teflon tape. Torque 10.2 - 19.7 Nm [90 - 175 inch-pounds].

NOTE: The connection of gas supply to the appliance shall be made with a flexible hose suitable for the appliance category in accordance with national installation regulations of the country of destination. If in doubt contact the dryer distributor or manufacturer.

NOTE: When connecting to a gas line, an equipment shut-off valve in accordance with the National Fuel Gas Code, ANSI Z223.1/NFPA 54 and the Natural Gas and Propane Installation Code, CSA B149.1 must be installed within 1.8 m [6 feet] of the dryer. An 1/8 in. NPT pipe plug must be installed as shown for checking inlet pressure. Refer to *Figure 5*.



D233I_SVG

1. New Stainless Steel Flexible Connector – (Use design CSA certified connector) Use only if allowed by local codes
2. 1/8 in. NPT Pipe Plug
3. Equipment Shut-Off Valve
4. Black Iron Pipe:
Shorter than 6.1 m [20 ft.] – Use 9.5 mm [3/8 in.] pipe.
Longer than 6.1 m [20 ft.] – Use 12.7 mm [1/2 in.] pipe.
5. 3/8 in. NPT Gas Connection

Figure 5

4. Tighten all connections securely but don't overtighten to avoid breaking or bending the gas valve bracket. Turn on gas and check all pipe connections (internal & external) for gas leaks with a non-corrosive leak detection fluid.

NOTE: The dryer and its appliance main gas valve must be disconnected from the gas supply piping system during any pressure testing of that system at test pressures in excess of 3.45 kPa [1/2 psi]. Refer to *Check Heat Source*.

NOTE: DO NOT connect the dryer to L.P. Gas Service without converting the gas valve. Install L.P. Gas Conversion Kit 649P3, available at extra cost.

L.P. (Liquefied Petroleum) Gas, 93.1 MJ/m³ [2500 Btu/ft.³], service must be supplied at 10 ± 1.5 inch water column pressure.

For proper operation at altitudes above 915 m [3000 feet] the L.P. gas valve spud orifice size must be reduced to ensure complete combustion. Refer to *Table 4*.

L.P. Altitude Adjustments			
Altitude	Orifice Size		Part No.
	m [feet]	No.	
915 [3000]	55	1.32 [0.0520]	58755
2440 [8000]	56	1.18 [0.0465]	D503786

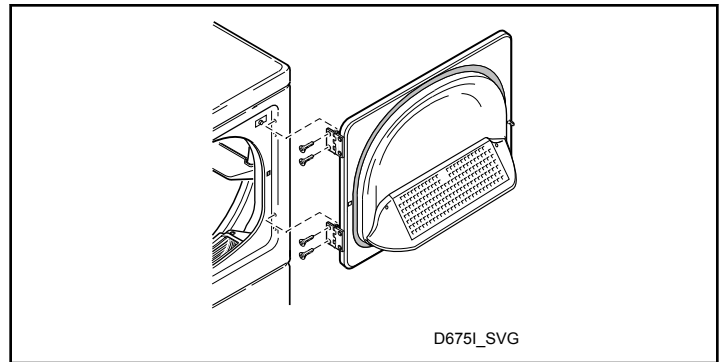
Table 4

Reverse Door, if Desired

NOTE: Doors with windows cannot be reversed.

The door on this dryer is completely reversible. To reverse door proceed as follows:

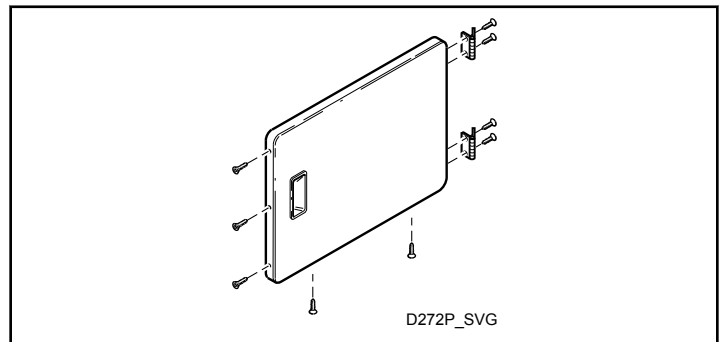
1. Remove four hinge attaching screws.



D675I_SVG

Figure 6

2. Remove all nine screws.



D272P_SVG

Figure 7

3. Pull bottom of door liner out, then pull down, removing door liner from door panel.

Installation

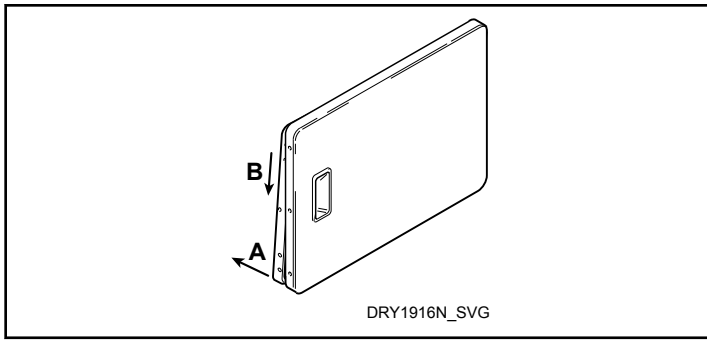


Figure 8

4. Rotate door panel 180 degrees as shown.

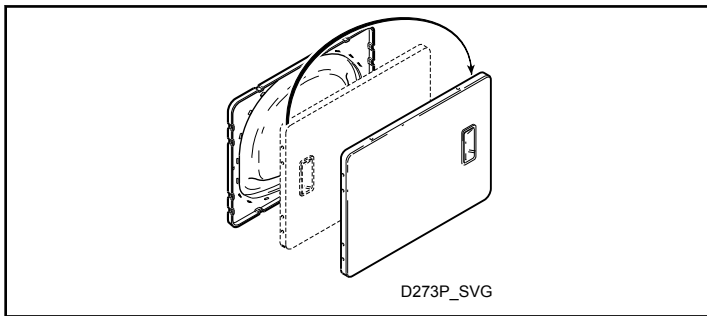


Figure 9

5. Remove door strike from door liner and reinstall on opposite side.

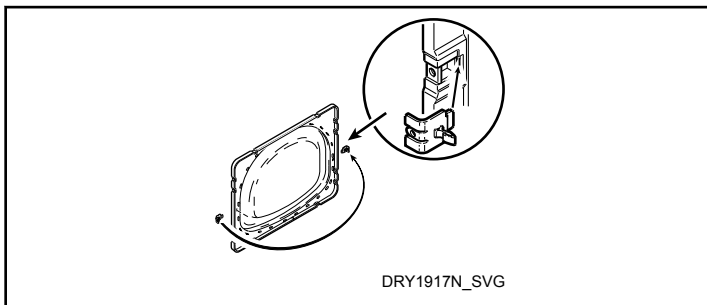


Figure 10

6. Insert liner under flange on bottom of door, then push top of door liner into place.

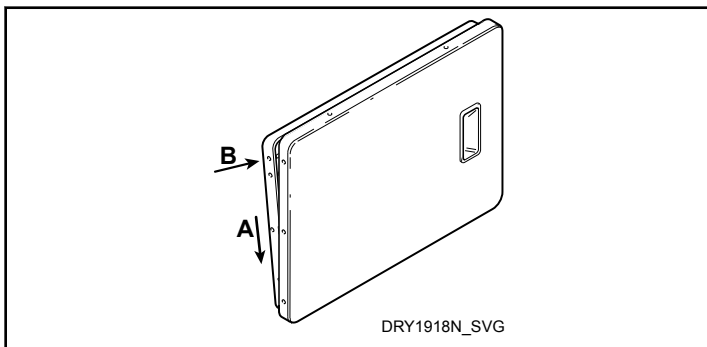


Figure 11

7. Reinstall nine screws removed in Step 2.

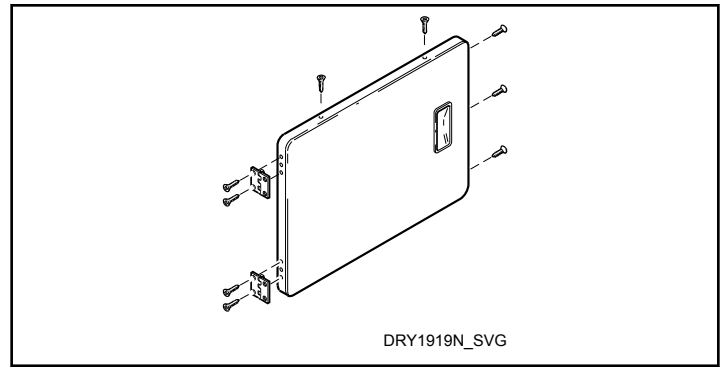


Figure 12

8. Using screwdriver, remove two door plugs, and reinstall on opposite side of door opening.

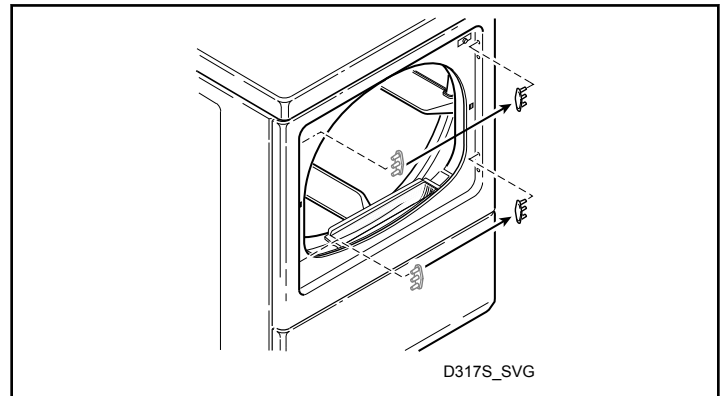


Figure 13

9. Reinstall four hinge attaching screws, removed in Step 1.

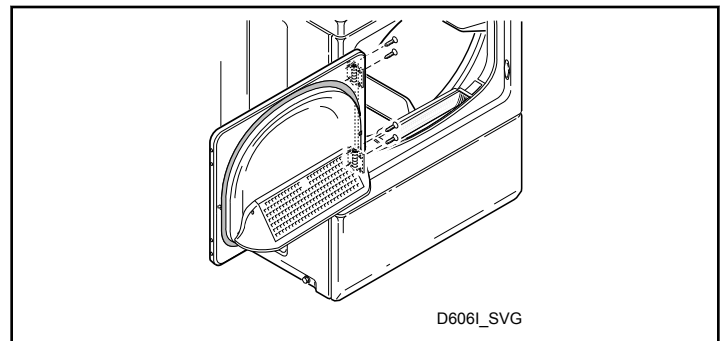


Figure 14

Wipe Out Inside of Dryer

Before using dryer for the first time, use an all-purpose cleaner, or a detergent and water solution, and a damp cloth to remove shipping dust from inside dryer drum.

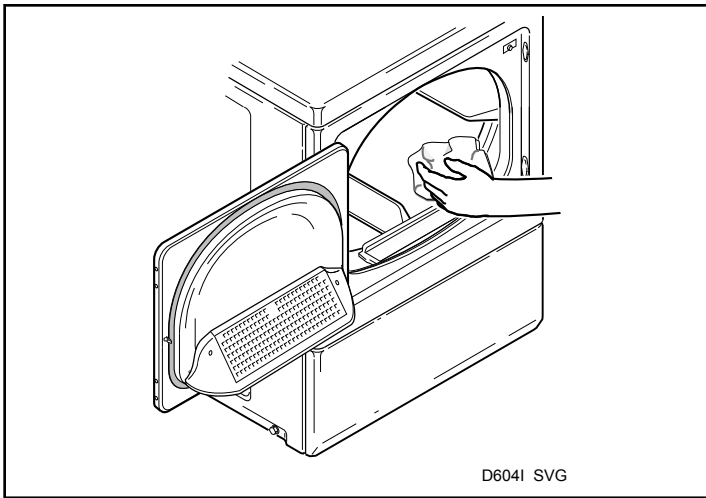


Figure 15

Plug In the Dryer

This appliance is to be supplied through a residual current device (RCD) having a rated residual operating current not exceeding 30 mA.

Electric Dryers with 4-Wire Plug (Supplied with Dryer)

120/240 Volt, 60 Hertz, 3-Wire and Earth/Ground Installation

120/208 Volt, 60 Hertz, 3-Wire and Earth/Ground Installation

NOTE: The wiring diagram is located in the control hood.

	WARNING
<p>To reduce the risk of fire, electric shock, serious injury or death, all wiring and protective earth/ground connections MUST conform with the latest edition of the National Electrical Code, ANSI/NFPA 70, or the Canadian Electrical Code, CSA C22.1, and such local regulations as might apply. It is the customer's responsibility to have the wiring and fuses installed by a qualified electrician to make sure adequate electrical power is available to the unit.</p>	
W891	

Earth/Ground and Wiring Instructions

This appliance must be properly connected to protective earth/ground. In the event of malfunction or breakdown, the earth/ground will reduce the risk of electric shock by providing a path of least resistance for electric current.

This appliance is equipped with a cord having an equipment-earth/ground conductor and an earth/ground plug. The plug must be plugged into an appropriate outlet that is properly installed and

connected to a protective earth/ground in accordance with all local codes and ordinances.

	WARNING
<p>Improper connection of the equipment earth/ground conductor can result in a risk of electric shock. Check with a qualified electrician or service person if you are in doubt as to whether the unit is properly connected to a protective earth/ground.</p>	
W893	

Do not modify the plug provided with the appliance – if it will not fit the outlet, have a proper outlet installed by a qualified electrician.

The electric service must be a separate branch, polarized, three-wire and earth/ground, 120/240 Volt, or 120/208 Volt (refer to serial plate for specific voltage), 60 Hertz, AC single phase circuit fused with 30 ampere fuses.

The cord and plug assembly (supplied with dryer) should be plugged into an approved receptacle that is mounted on the wall adjacent to the dryer. This receptacle should be accessible to the user or service person when the dryer is in position, to permit disconnecting when necessary.

NOTE: Branch circuit wire size requirements to laundry room outlet are shown in table below.

Wire Length	Wire
Less than 4.5 m [15 ft.]	Listed No. 10 AWG Copper wire only
Longer than 4.5 m [15 ft.]	Listed No. 8 AWG Copper wire only

Table 5

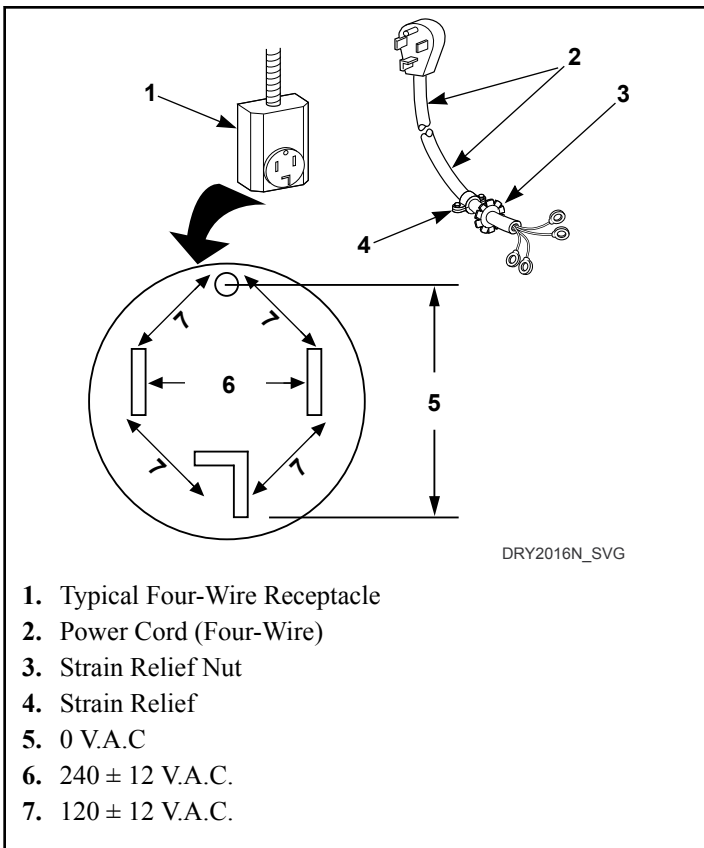


Figure 16

Electric Dryers with 3-Wire Plug (Requires Conversion)

120/240 Volt, 60 Hertz, 3-Wire Installation

120/208 Volt, 60 Hertz, 3-Wire Installation

NOTE: The wiring diagram is located in the control hood.

	WARNING
<p>To reduce the risk of fire, electric shock, serious injury or death, all wiring and protective earth/ground connections MUST conform with the latest edition of the National Electrical Code, ANSI/NFPA 70, or the Canadian Electrical Code, CSA C22.1, and such local regulations as might apply. It is the customer's responsibility to have the wiring and fuses installed by a qualified electrician to make sure adequate electrical power is available to the unit.</p>	
W891	

NOTE: Use only a new U.L. listed No. 10 (copper wire only) three or four conductor power supply cord kit rated 240 Volts (minimum) 30 Amperes and labeled as suitable for use in a clothes dryer.

Earth/Ground Instructions

This appliance must be properly connected to protective earth/ground. In the event of malfunction or breakdown, the earth/ground will reduce the risk of electric shock by providing a path of least resistance for electric current.

This appliance is equipped with a cord having an equipment-earth/ground conductor and an earth/ground plug. The plug must be plugged into an appropriate outlet that is properly installed and connected to a protective earth/ground in accordance with all local codes and ordinances.

	WARNING
<p>Improper connection of the equipment earth/ground conductor can result in a risk of electric shock. Check with a qualified electrician or service person if you are in doubt as to whether the unit is properly connected to a protective earth/ground.</p>	
W893	

Do not modify the plug provided with the appliance – if it will not fit the outlet, have a proper outlet installed by a qualified electrician.

This dryer must be properly connected to a protective earth/ground metal, permanent wiring system; or an equipment-earth/ground conductor must be run with the circuit conductors and connected to the equipment-earth/ground terminal or lead on the dryer.

The dryer has its own terminal block that must be connected to a separate branch, 60 Hertz, single phase circuit, AC (alternating current) circuit, fused at 30 Amperes (the circuit must be fused on both sides of the line). Electrical service for the dryer should be of maximum rated voltage listed on the nameplate (208 or 240 Volt, depending on heating element). Do not connect dryer to 110, 115, or 120 Volt circuit.

Heating elements are available for field installation in dryers which are to be connected to electrical service of different voltage than that listed on nameplate, such as 208 Volt.

NOTE: Branch circuit wire size requirements to laundry room outlet are shown in table below.

Wire Length	Wire
Less than 4.5 m [15 ft.]	Listed No. 10 AWG Copper wire only
Longer than 4.5 m [15 ft.]	Listed No. 8 AWG Copper wire only

Table 6

The power cord (pigtail) connection between wall receptacle and dryer terminal block IS NOT supplied with dryer. Type of pigtail and gauge of wire must conform to local codes and with instructions mentioned on the following pages.

The method of wiring the dryer is optional and subject to local code requirements. Refer to the following examples.

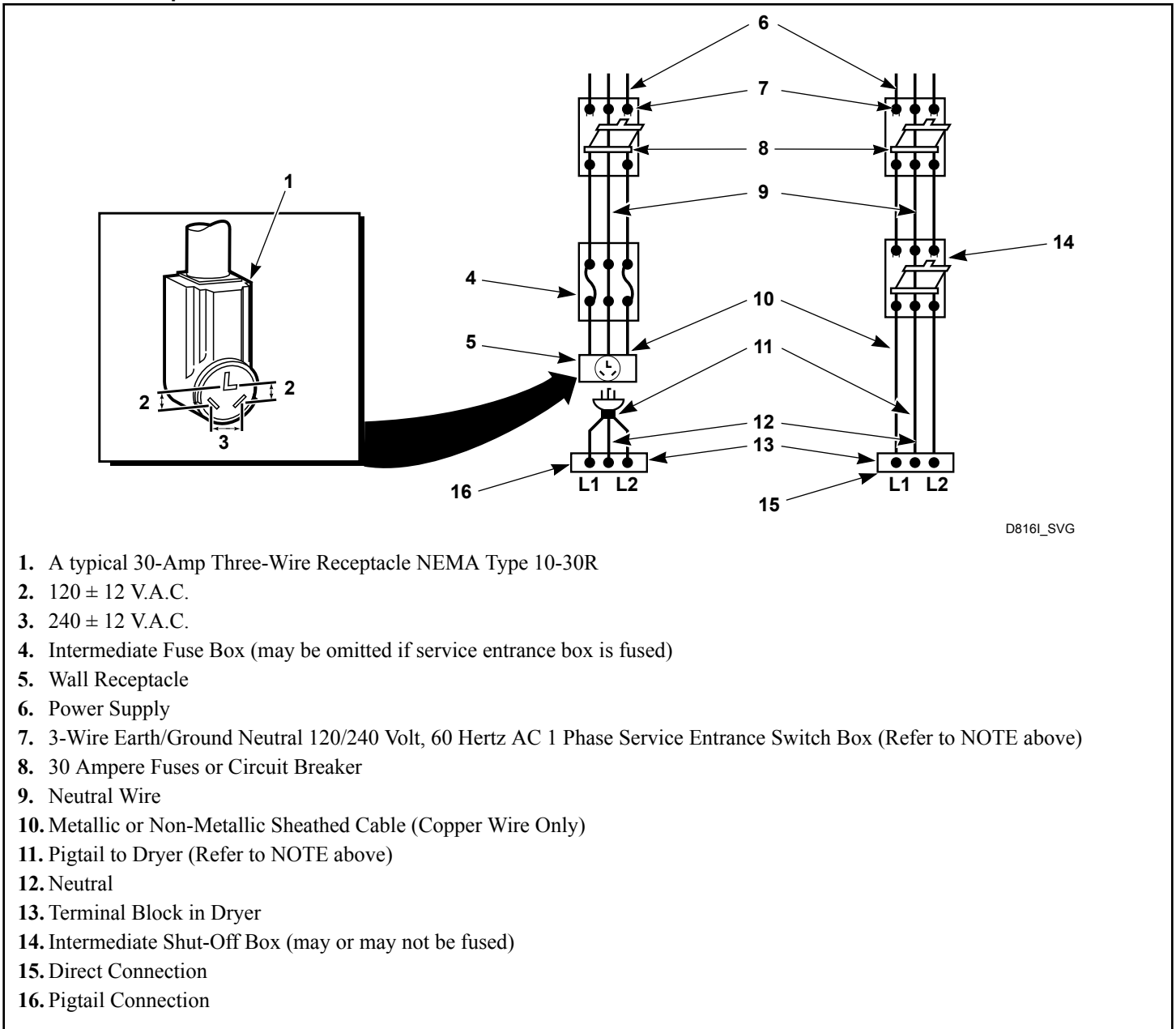
Three-Wire Plug

NOTE: The three-wire power cord (pigtail) is NOT supplied with the electric dryer. Type of pigtail and gauge of wire must conform to local codes and instructions. The method of wiring the dryer is optional and subject to local code requirements.

NOTE: Connect the dryer to the power supply with the MAXIMUM RATED VOLTAGE listed on the serial plate.

NOTE: Use COPPER WIRE only.

**Shorter than 15 ft. (4.5 m) – use 10 AWG
Longer than 15 ft. (4.5 m) – use 8 AWG**



D8161_SVG

1. A typical 30-Amp Three-Wire Receptacle NEMA Type 10-30R
2. 120 ± 12 V.A.C.
3. 240 ± 12 V.A.C.
4. Intermediate Fuse Box (may be omitted if service entrance box is fused)
5. Wall Receptacle
6. Power Supply
7. 3-Wire Earth/Ground Neutral 120/240 Volt, 60 Hertz AC 1 Phase Service Entrance Switch Box (Refer to NOTE above)
8. 30 Ampere Fuses or Circuit Breaker
9. Neutral Wire
10. Metallic or Non-Metallic Sheathed Cable (Copper Wire Only)
11. Pigtail to Dryer (Refer to NOTE above)
12. Neutral
13. Terminal Block in Dryer
14. Intermediate Shut-Off Box (may or may not be fused)
15. Direct Connection
16. Pigtail Connection

Figure 17

To Convert from 4-Wire Connection to 3-Wire Connection

1. Disconnect power to dryer.
2. Remove access cover from rear of dryer.

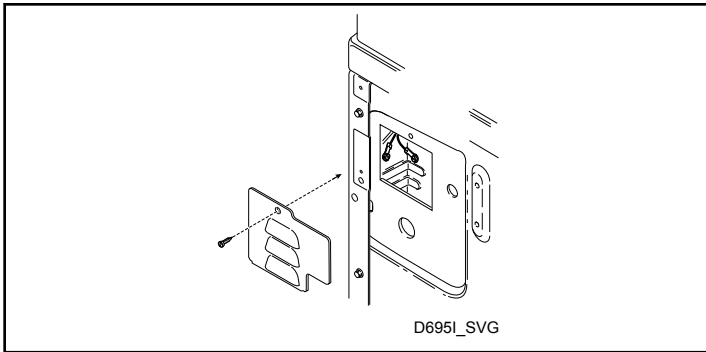
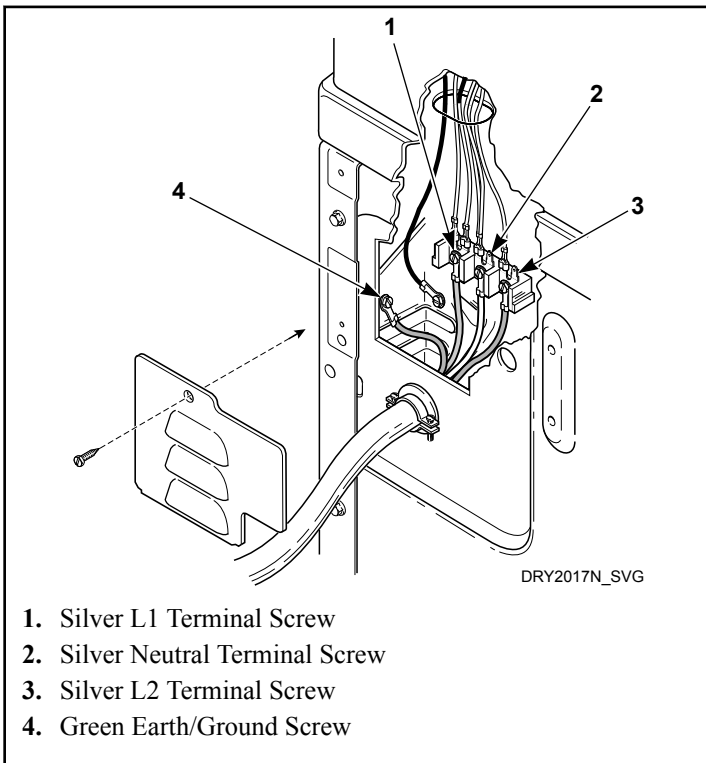


Figure 18

3. Remove the three silver screws holding the three wires to the terminal block terminals. Remove green earth/ground screw holding power cord earth/ground wire to rear bulkhead. Save all four screws.
4. Loosen the strain relief screw and pull the cord or wires out through the rear of the dryer.

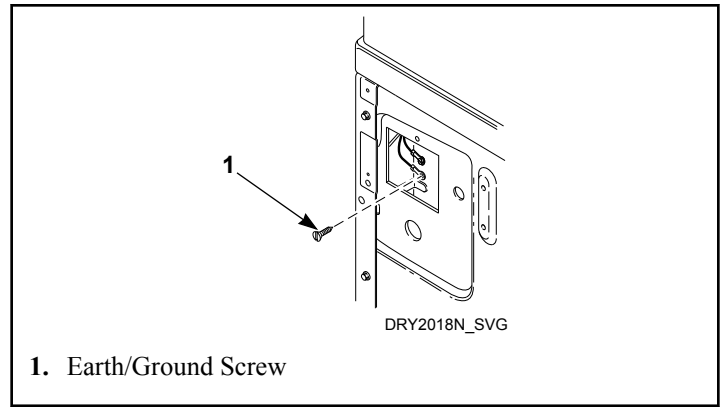


1. Silver L1 Terminal Screw
2. Silver Neutral Terminal Screw
3. Silver L2 Terminal Screw
4. Green Earth/Ground Screw

Figure 19

5. Attach one end of green earth/ground wire (supplied in accessories bag) to rear bulkhead using green earth/ground screw removed in step 3.

NOTE: Do not use power screwdriver when tightening ground screw or terminal block screws.

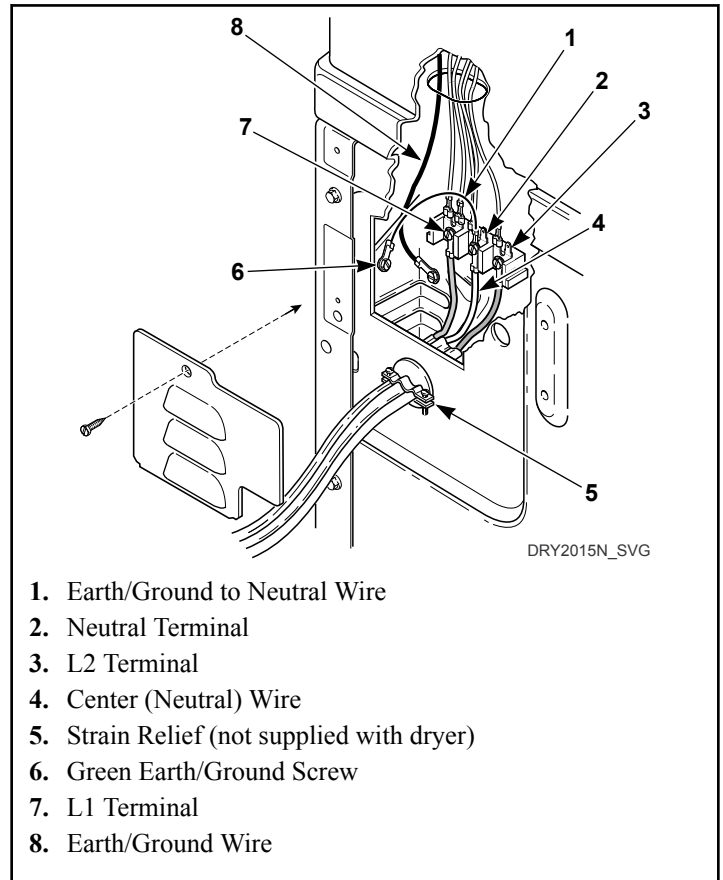


1. Earth/Ground Screw

Figure 20

6. Use the three silver screws removed in step 3 to attach the wires from the new power cord and the other end of the green earth/ground wire to the terminal block as shown in Figure 21.

NOTE: Green earth/ground wire must be connected to center (neutral) terminal of terminal block.



1. Earth/Ground to Neutral Wire
2. Neutral Terminal
3. L2 Terminal
4. Center (Neutral) Wire
5. Strain Relief (not supplied with dryer)
6. Green Earth/Ground Screw
7. L1 Terminal
8. Earth/Ground Wire

Figure 21

7. Tighten all screws using a screwdriver and reinstall access cover removed in step 2.


NOTE: Failure to tighten these screws firmly may result in wire failure at the terminal block.

8. Secure the strain relief to the power cord, or wires, where they enter the dryer cabinet.
9. Check the continuity of the ground connection before plugging the cord into an outlet. Use an acceptable indicating device connected to the center grounding pin of the plug and the green screw on the back of cabinet.
10. Reinstall access cover and screw.
11. Restore power to dryer.

Gas Dryer

Dryer requires 120 Volt, 60 Hertz electrical supply and comes equipped with a 3-prong earth/ground plug. Refer to serial plate for specific electrical requirements.

NOTE: The wiring diagram is located in the control hood.

	WARNING
<p>To reduce the risk of fire, electric shock, serious injury or death, all wiring and grounding MUST conform with the latest edition of the National Electrical Code, ANSI/NFPA 70, or the Canadian Electrical Code, CSA C22.1, and such local regulations as might apply. It is the customer's responsibility to have the wiring and fuses installed by a qualified electrician to make sure adequate electrical power is available to the dryer.</p>	
W521	

When plugging in the dryer:

- DO NOT overload circuits.
- DO NOT use an extension cord.
- DO NOT use an adapter.
- DO NOT operate other appliances on the same circuit. Use separately fused 15 Amp circuits.

The dryer is designed to be operated on a separate branch, polarized, three-wire, effective earth/ground, 120 Volt, 60 Hertz, AC (alternating current) circuit protected by a 15 Ampere fuse, equivalent fusetrone or circuit breaker.

The three-prong earth/ground plug on the power cord should be plugged directly into a polarized three-slot effective earth/ground receptacle rated 120 Volts AC (alternating current) 15 Amps. Refer to *Figure 22* to determine correct polarity of the wall receptacle.

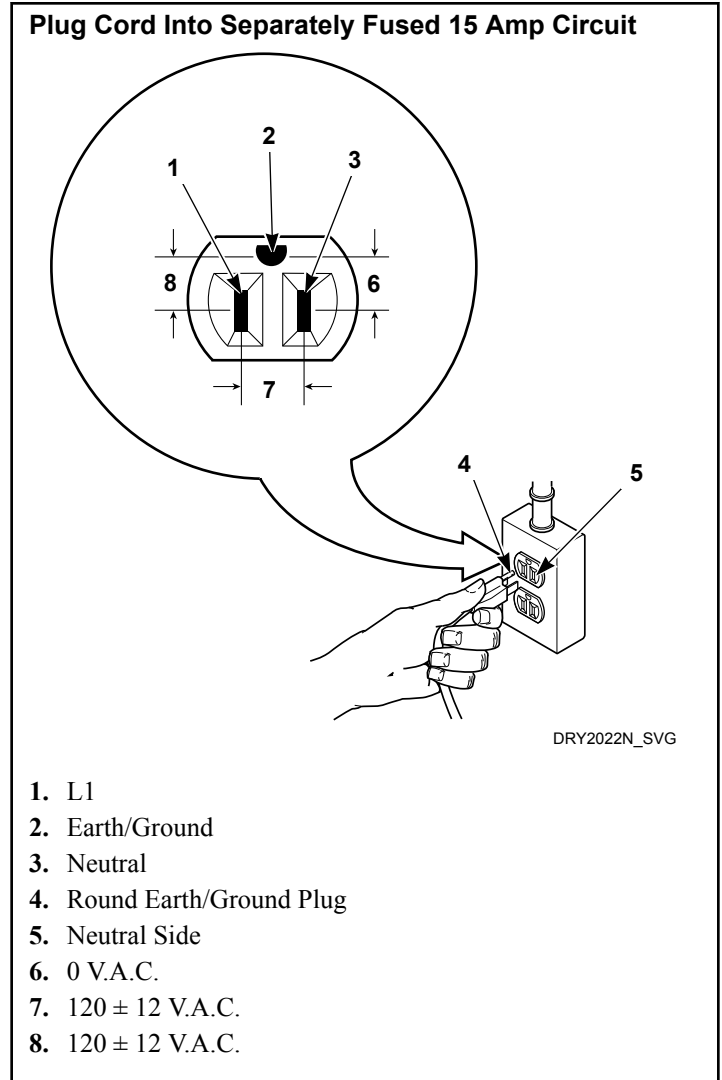




Figure 22

Earth/Ground Information

This appliance must be properly connected to protective earth/ground. In the event of malfunction or breakdown, the earth/ground will reduce the risk of electric shock by providing a path of least resistance for electric current.

The dryer is equipped with a cord having an equipment earth/ground conductor. The plug must be plugged into an appropriate outlet that is properly installed and connected to a protective earth/ground in accordance with all local codes and ordinances.


	WARNING
<p>This unit is equipped with a three-prong (earth/ground) plug for your protection against shock hazard and should be plugged directly into a protective earth/ground three-prong receptacle. Do not cut or remove the earth/ground prong from this plug.</p>	
W823	

	WARNING
<p>Improper connection of the equipment earth/ground conductor can result in a risk of electric shock. Check with a qualified electrician or service person if you are in doubt as to whether the dryer is properly connected to a protective earth/ground.</p>	
W886	

Do not modify the plug provided with the dryer – if it will not fit the outlet, have a proper outlet installed by a qualified electrician.

NOTE: Have a qualified electrician check the polarity of the wall receptacle. If a voltage reading is measured other than that illustrated, the qualified electrician should correct the problem.

Do not operate other appliances on the same circuit.

	WARNING
<p>To reduce the risk of an electric shock or fire, DO NOT use an extension cord or an adapter to connect the dryer to the electrical power source.</p>	
W037	

Recheck Steps

Refer to Installer Checklist on the back cover of this manual and make sure that dryer is installed correctly.

Check Heat Source

Electric Dryers

1. Close the loading door and start the dryer in a heat setting (refer to the operation instructions).
2. After the dryer has operated for three minutes, the exhaust air or exhaust pipe should be warm.

Gas Dryers


IMPORTANT: This operation is to be conducted by qualified personnel only.

1. To view the burner flame, remove the lower front panel of the dryer.
2. Close the loading door and start the dryer in a heat setting (refer to the operation instructions). The dryer will start, the igniter will glow red and the main burner will ignite.

IMPORTANT: If all air is not purged out of gas line, gas igniter may go off before gas is ignited. If this happens, after approximately two minutes igniter will again attempt gas ignition.

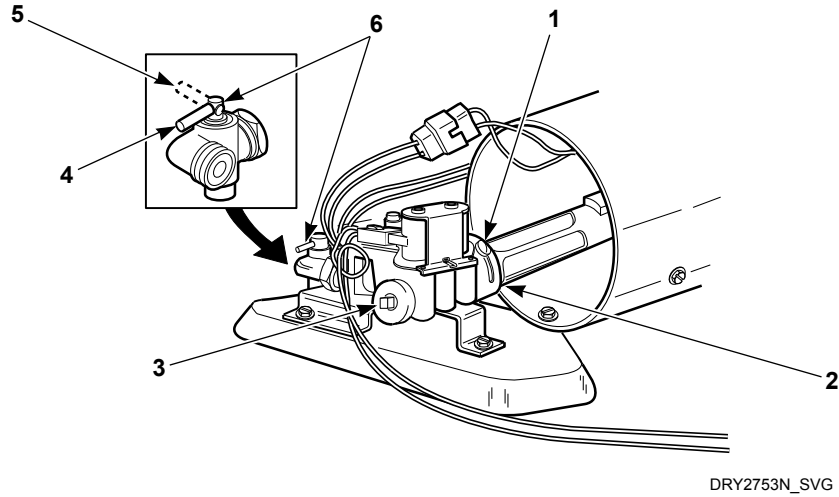
IMPORTANT: If igniter does not light, make sure gas is turned on.

3. After the dryer has operated for approximately five minutes, observe burner flame through lower front panel.
4. Adjust the air shutter to obtain a soft, uniform blue flame. (A lazy, yellow-tipped flame indicates lack of air. A harsh, roaring, very blue flame indicates too much air.) Adjust the air shutter as follows:
 - a. Loosen the air shutter lockscrew.
 - b. Turn the air shutter to the left to get a luminous yellow-tipped flame, then turn it back slowly to the right to obtain a steady, soft blue flame.
 - c. After the air shutter is adjusted for proper flame, tighten the air shutter lockscrew securely.
5. Reinstall the lower front panel.

	WARNING
<p>To reduce the risk of serious injury or death, lower front panel must be in place during normal operation.</p>	
W158	

6. After the dryer has operated for approximately three minutes, exhaust air or exhaust pipe should be warm.

Shut-off Valve Only Applicable on Certain Models

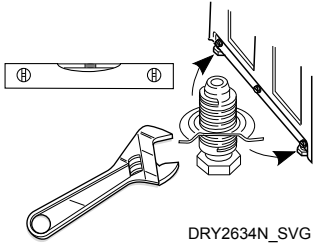
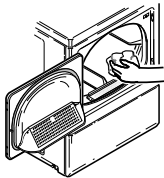
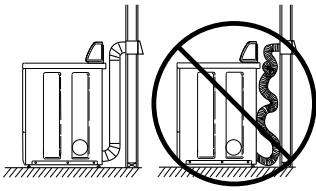
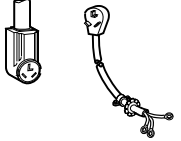
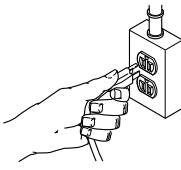
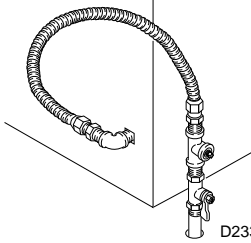
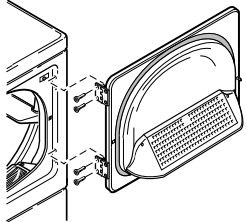


- 1. Air Shutter Lockscrew
- 2. Air Shutter
- 3. 3.1 mm [1/8 in.] Pipe Plug (For checking manifold pressure)
- 4. Shut-off Valve Open Position
- 5. Shut-off Valve Closed Position
- 6. Shut-off Valve Handle

Figure 23

Installer Checklist

Fast Track for Installing the Dryer

1	Position and Level the Dryer.	 <p>DRY2634N_SVG</p>	5	Wipe Out Inside of Dryer.	 <p>D610I_SVG</p>
	CHECK			CHECK	
2	Connect Dryer Exhaust System.	 <p>DRY1915N_SVG1</p>	6	Plug In the Dryer.	<p>Electric</p>  <p>D275I_SVG1</p> <p>Gas</p>  <p>D254I_SVG</p>
	CHECK			CHECK	
3	<p>GAS ONLY</p> <ul style="list-style-type: none"> • Connect Gas Supply Pipe. • Check for Gas Leaks. 	 <p>D233I_SVG1</p>	7	Recheck Steps.	
	CHECK			CHECK	
4	Reverse Door, if Desired.	 <p>D675I_SVG1</p>	8	Start and Run Dryer in Heat Setting to Verify Dryer is Heating.	
	CHECK			CHECK	

Refer to the manual for more detailed information

Instructions d'installation

Pour sècheuses



Traduction des instructions originales

Conserver ces instructions à titre de référence.

ATTENTION : Veuillez lire les instructions avant d'utiliser la machine.

(Si la machine est vendue, le guide doit être remis au nouveau propriétaire.)



ca.speedqueen.com

Part No. D516320CAR2
Août 2017



MISE EN GARDE



MISE EN GARDE



Risque d'incendie. Matériel hautement inflammable.

W881



Lire le mode d'emploi complet avant d'utiliser l'appareil.



MISE EN GARDE

POUR DES RAISONS DE SÉCURITÉ, il faut suivre les instructions données dans ce manuel pour minimiser les risques d'incendie ou d'explosion et pour réduire les risques de dommages à la propriété, de blessures ou de décès.

W033



MISE EN GARDE

- Ne pas entreposer ni utiliser d'essence ou autres gaz et liquides inflammables au voisinage de cette machine ou de tout autre appareil électroménager.
- **QUE FAIRE EN PRÉSENCE D'UNE ODEUR DE GAZ :**
 - Ne pas tenter d'allumer un quelconque appareil.
 - Ne toucher à aucun interrupteur électrique ; ne pas utiliser de téléphone dans le bâtiment.
 - Évacuer le local, le bâtiment ou la zone de tous ses occupants.
 - Téléphoner immédiatement à la compagnie de gaz depuis une maison voisine.
 - Suivre les instructions de la compagnie de gaz.
 - Si la compagnie de gaz n'est pas joignable, appeler les pompiers.
- L'installation et l'entretien doivent être effectués par un installateur agréé, un service de réparation ou la compagnie de gaz.

W052

IMPORTANT : L'acheteur doit s'adresser au service local de distribution du gaz pour savoir ce qu'il faut faire si l'utilisateur de la sècheuse décèle une odeur de gaz. Les instructions du service de distribution du gaz, les **CONSIGNES DE SÉCURITÉ** et la **MISE EN GARDE** ci-dessus doivent être affichés bien en vue près de la sècheuse pour que le client puisse les consulter.



MISE EN GARDE

- L'installation de l'unité doit être effectuée par un installateur qualifié.
- Installer le sèche-linge selon les instructions du fabricant et les codes locaux.
- **NE PAS** installer un sèche-linge avec des matériaux de mise à l'air libre en matière plastique flexible. Si un conduit métallique flexible (type en feuilles) est installé, il doit être d'un type spécifique identifié par le fabricant d'appareils ménagers comme étant approprié pour utilisation avec des sèche-linges. Se reporter à la section sur la connexion au dispositif d'échappement. Les matériaux flexibles de mise à l'air libre peuvent s'effondrer, être facilement écrasés et emprisonner les peluches. Ces conditions obstruent le flux d'air du sèche-linge et augmente le risque de feu.

W729R1



MISE EN GARDE

Afin de réduire les risques de blessures graves, voire mortelles ; suivre toutes les instructions d'installation. Conserver ces instructions.

W894



MISE EN GARDE

POUR VOTRE SÉCURITÉ

Ne pas entreposer ni utiliser d'essence ou autres gaz et liquides inflammables au voisinage de cette machine ou de tout autre appareil électroménager.

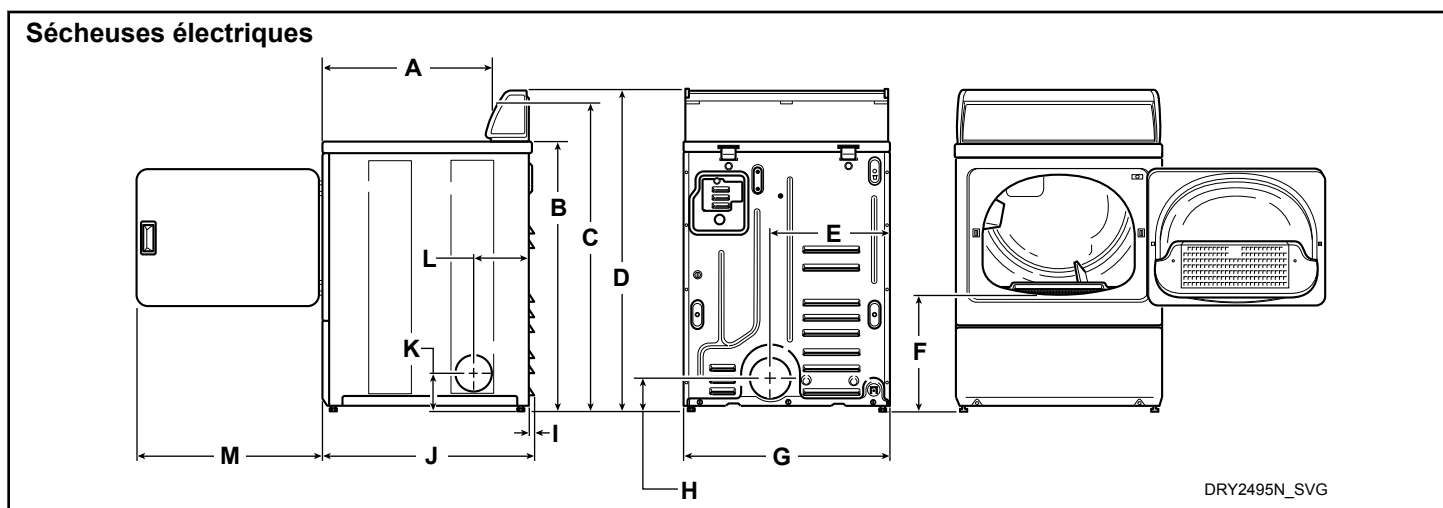
W053

Ce produit utilise FreeRTOS V7.2.0 (www.freertos.org).

Table des matières

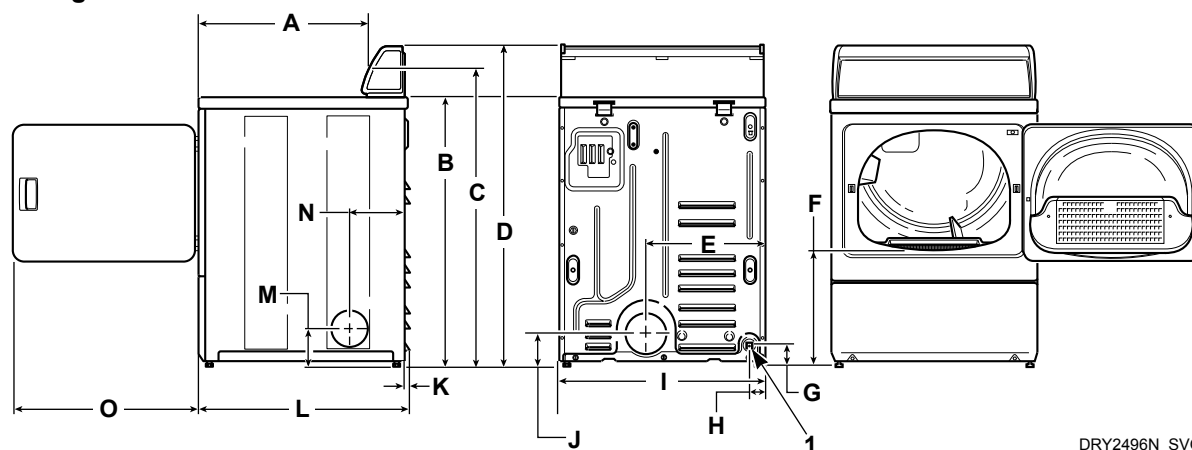
Dimensions.....	6
Installation.....	8
Avant de commencer.....	8
Approvisionnements.....	8
Ordre des étapes d'installation :.....	8
Mettre le sèche-linge en place et de niveau.....	8
Raccorder le système d'évacuation de la sècheuse.....	11
Direction de l'échappement.....	13
Système d'échappement.....	13
Sécheuses à gaz - Brancher la conduite d'arrivée de gaz.....	14
Inverser la porte, le cas échéant.....	15
Essuyer l'intérieur de la sècheuse.....	17
Brancher la sècheuse.....	17
Sécheuses électriques avec fiche à 4 fils (fournie avec la sècheuse).....	17
Sécheuses électriques avec fiche à 3 fils (nécessite une conversion).....	18
Sècheuse au gaz.....	21
Vérifier les étapes.....	23
Contrôler la source de chaleur.....	23
Sécheuses électriques.....	23
Sécheuses à gaz.....	23
Liste de vérification destinée à l'installateur.....	25

Dimensions



A	589 mm [23,19 po]
B	914 mm [36 po]
C	1036 mm [40,77 po]
D	1092 mm [43 po]
E	391 mm [15,4 po]
F	392 mm [15,44 po]
G	683 mm [26,875 po]
H	102 mm [4 po]
I	10 mm [0,4 po]
J	711 mm [28 po]
K	114 mm [4,5 po]
L	203 mm [8 po]
M	597 mm [23,5 po]
REMARQUE : Orifices d'évacuation pour tuyauterie de 102 mm [4 pouces].	*Pieds de réglage de niveau rentrés dans le socle.

Sécheuses à gaz



DRY2496N_SVG

1. Raccord de gaz NPT de 3/8 po

A	589 mm [23,19 po]
B	914 mm [36 po]
C	1036 mm [40,77 po]
D	1092 mm [43 po]
E	391 mm [15,4 po]
F	392 mm [15,44 po]
G	70 mm [2,8 po]
H	60 mm [2,3 po]
I	683 mm [26,875 po]
J	102 mm [4 po]
K	10 mm [0,4 po]
L	711 mm [28 po]
M	114 mm [4,5 po]
N	203 mm [8 po]
O	597 mm [23,5 po]
REMARQUE : Orifices d'évacuation pour tuyauterie de 102 mm [4 pouces].	*Pieds de réglage de niveau rentrés dans le socle.

Installation

Avant de commencer

Approvisionnement

Pour la plupart des installations, l'approvisionnement de base nécessaire est le suivant :

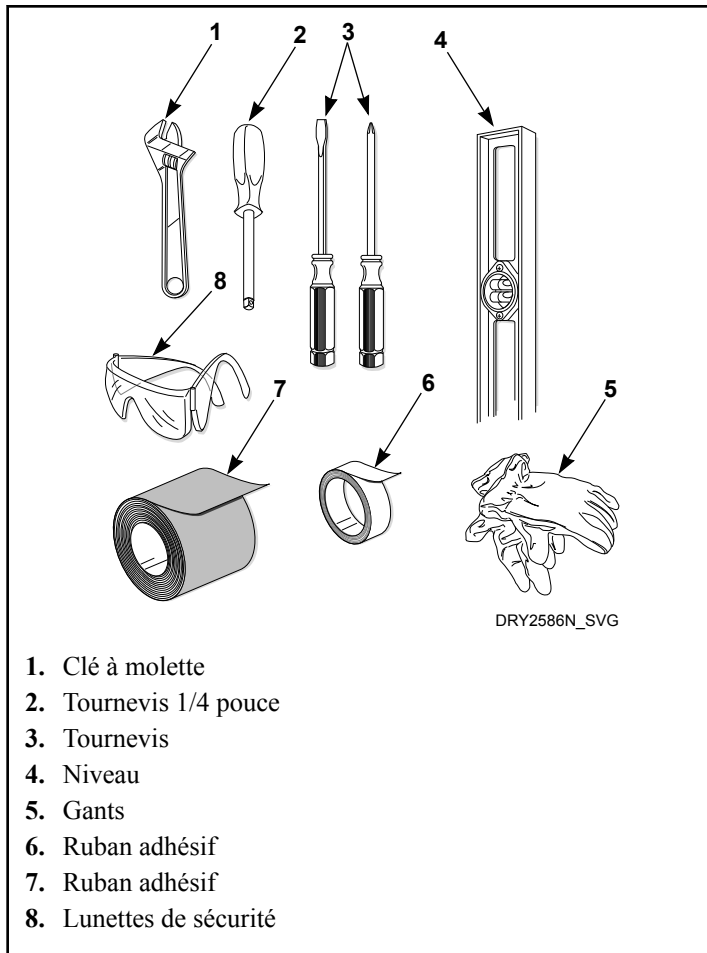


Figure 1

REMARQUE : Cet appareil convient pour une utilisation dans des pays au climat chaud et humide.



MISE EN GARDE

Tout démontage nécessitant l'emploi d'outils doit être effectué par un réparateur qualifié.

W299

Ordre des étapes d'installation :

1. Mettre le sèche-linge en place et de niveau.
2. Raccorder le système d'évacuation du sèche-linge.

3. Modèles au gaz uniquement : brancher le tuyau d'alimentation en gaz. Vérifier qu'il n'y a aucune fuite de gaz.
4. Inverser la porte, le cas échéant.
5. Essuyer l'intérieur de la sècheuse
6. Brancher la sècheuse.
7. Vérifier les étapes.
8. Démarrer et faire fonctionner la sècheuse avec un réglage de chaleur pour s'assurer qu'elle chauffe.

Mettre le sèche-linge en place et de niveau

1. Installer le sèche-linge avant le lave-linge. Cela laisse assez d'espace pour attacher le conduit d'évacuation.
2. Choisir un endroit où le plancher est solide. Les sècheuses installées dans des garages résidentiels doivent être surélevées de 457 mm [18 pouces] par rapport au sol.

Aucun autre appareil à combustion ne doit être installé dans le même placard que le sèche-linge.

La calandre ne doit pas être installée ni stockée dans une zone où elle risquerait d'être exposée à de l'eau ou aux intempéries.

Laisser un dégagement suffisant autour du séchoir pour assurer une ventilation adéquate et pour faciliter l'installation et l'entretien. (Pour les dégagements minimaux, voir *Figure 3*)

3. Placer le séchoir à l'endroit prévu et régler les pieds de manière à ce qu'ils soient de niveau latéralement et longitudinalement. Les pieds de nivellement peuvent être ajustés depuis l'intérieur de la sècheuse au moyen d'une clé de 1/4 pouce.
4. Les quatre pieds doivent reposer fermement sur le sol de façon à répartir uniformément le poids de la sècheuse. Le séchoir ne doit pas balancer.

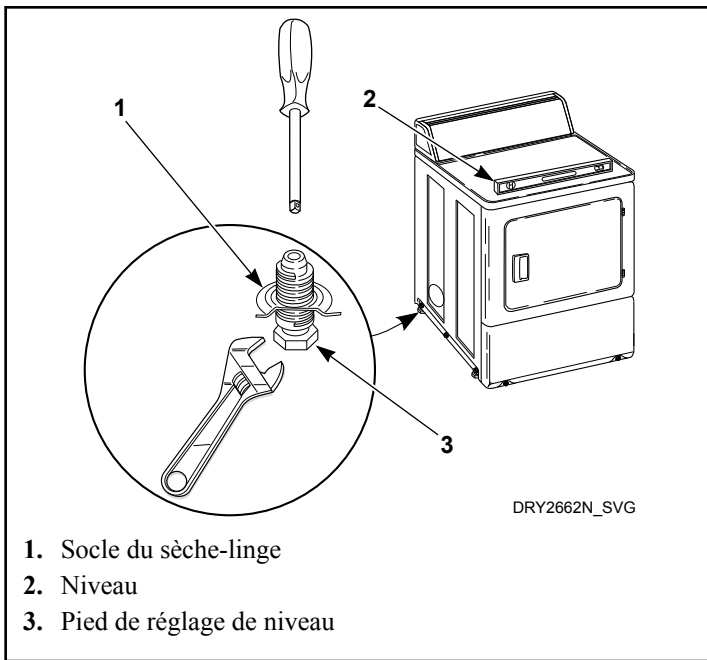
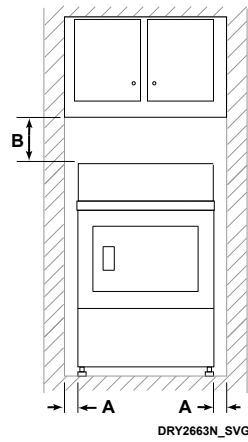
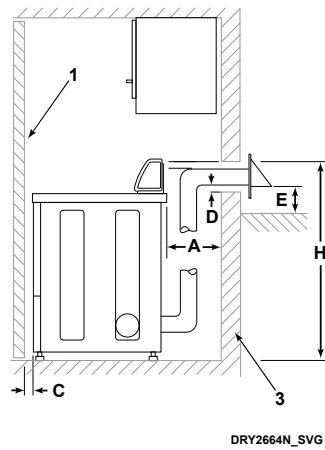


Figure 2

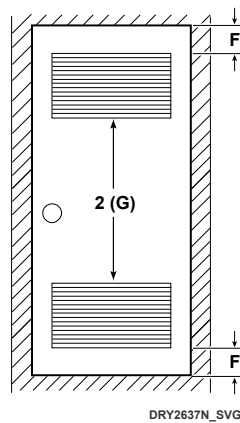
Vue de face (sans porte de placard)



Vue de côté (porte du placard)



Vue de face (porte du placard)



- 1. Porte de placard
- 2. Grilles d'aération centrées (G) (2 grilles minimum)
- 3. Cloison extérieure de l'enceinte

Figure 3


Repère	Description	Installation ouverte/en alcôve	Installation en placard
A*	Dégagement côtés et arrière de la sècheuse	0 mm [0 po]	0 mm [0 po]
B	Dégagement du dessus de la sècheuse	305 mm [12 po]	305 mm [12 po]
C	Dégagement de la face avant de la sècheuse	sans objet	51 mm [2 po]
D	Dégagement entre le conduit d'évacuation et les matières combustibles	51 mm [2 po]	51 mm [2 po]
E	Garde au sol du chapeau de protection contre les intempéries	305 mm [12 po]	305 mm [12 po]
F	Distance entre le plancher ou le plafond de la grille d'aération	sans objet	76 mm [3 po]
G	Zone d'ouvertures d'air centrées dans la porte du placard Une porte à persiennes dotée d'ouvertures d'aération est acceptable. (Pour les dégagements minimaux, voir .)	sans objet	1016 mm ² /ouvert [40 po ² /ouvert]
H	Pour les nouvelles installations, il est suggéré de placer le dessus de la bouche d'évacuation à 1067 mm [42 pouces] au-dessus du sol afin que le système d'évacuation soit plus facile à raccorder.	1067 mm [42 po]	1067 mm [42 po]
*	Le dégagement arrière indiqué est minimal. 51 mm [2 pouces] sont recommandés pour branchement aux services publics. 152 mm [6 pouces] sont recommandés lorsqu'il y a évacuation arrière de l'unité.		

Table 1

IMPORTANT : Si le séchoir à gaz est installé dans une résidence mobile, il DOIT être fixé au sol lors de son installation. Commander le kit d'installation de la sècheuse n° 526P3 (proposé en supplément) pour une installation dans une maison mobile. Suivre les instructions du kit.

L'installation de l'unité doit être conforme à la norme Manufactured Home Construction and Safety Standards, Title 24 CF4, Part 32-80 ou à la norme CAN/CSA Z240 Série MH.

Raccorder le système d'évacuation de la sècheuse.

	MISE EN GARDE
Pour réduire les risques d'incendie et d'accumulation de gaz combustible, l'évacuation du sèche-linge DOIT se faire vers l'extérieur.	
W604	

	MISE EN GARDE
<p>Pour réduire les risques d'incendie et d'accumulation de gaz combustibles, NE PAS diriger l'évacuation du sèche-linge vers un soupirail, conduit pour gaz brûlés, cheminée ou espace clos non ventilé du type grenier, mur, plafond, vide sanitaire sous un bâtiment ou vide de construction d'un bâtiment.</p>	
W045	

	MISE EN GARDE
<p>Pour réduire les risques d'incendie, NE PAS utiliser de conduit en plastique ou en feuille métallique pour l'évacuation du sèche-linge.</p>	
W354	

	MISE EN GARDE
<p>Pour réduire les risques d'incendie, le tuyau d'échappement et le capot protecteur contre les intempéries DOIVENT être faits de matériel qui n'entretient pas la combustion. Un tuyau métallique rigide ou flexible est recommandé pour une sècheuse à linge.</p>	
W048	

	MISE EN GARDE
<p>Pour réduire les risques d'incendie dus à la pression statique, il est recommandé de NE PAS installer de filtres ou de collecteur de charpie en ligne. Si des systèmes secondaires sont requis, il faut les nettoyer souvent pour en assurer le fonctionnement sécuritaire.</p>	
W749	

IMPORTANT : L'installation de filtres ou de collecteurs de charpie en ligne cause une augmentation de la pression statique. Le fait de ne pas entretenir le système de filtrage secondaire réduira l'efficacité de la sècheuse et pourrait annuler la garantie.

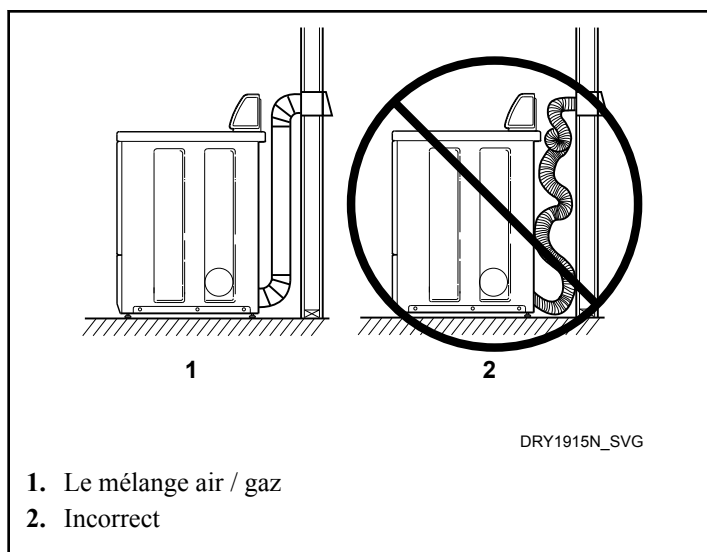


Figure 4

- **NE PAS** utiliser de matière plastique, de feuille métallique mince ou de conduits flexibles de type B. Il est conseillé d'utiliser des conduits métalliques rigides.
- Placer la sècheuse de manière à ce que le conduit soit le plus court possible.
- Veiller à ce que les conduits d'évacuation existants soient nettoyés avant l'installation de la nouvelle sècheuse.
- Utiliser un conduit métallique rigide ou flexible de 102 mm [4 po] de diamètre.
- L'embout mâle de chaque portion de conduit doit être placé du côté opposé à la sècheuse.
- Utiliser le moins de coudes possible.
- Utiliser du ruban adhésif entoilé ou des rivets pop sur tous les raccords et les joints, si cela est autorisé par les codes locaux. Pour les joints, **NE PAS** utiliser de vis à métal ni d'agrafes qui pénétreraient dans le tuyau d'échappement et qui retiendraient la charpie.
- Les conduits passant dans des zones non chauffées doivent être isolés afin de réduire la condensation et le dépôt de peluches sur leurs parois.
- Pour les installations à plusieurs sècheuses, poser des registres antirefoulement.
- Si la sècheuse est installée dans une résidence mobile, son conduit d'évacuation doit être fixé à la structure de la résidence.
- Le conduit d'évacuation ne **PEUT EN AUCUN CAS** finir sous la résidence mobile.
- Le tuyau d'échappement ne doit pas être raccordé à un autre tuyau, à un tuyau de ventilation ou à une cheminée.
- Sècheuse évacue 6,2 m³/min (220 pi³/min) (mesuré au dos de la sècheuse).
- **NE JAMAIS** installer de conduit flexible dans les vides de construction, tels que les murs ou les plafonds.
- La pression statique du conduit d'évacuation ne peut être supérieure à 1,5 cm [une colonne d'eau de 0,6 pouces], mesurée

à l'aide d'un manomètre placé sur le conduit d'évacuation à 610 mm [2 pieds] de la sècheuse (vérifier lorsqu'elle est en marche, mais vide). Lors de l'installation de plusieurs sècheuses, toutes celles branchées sur le conduit collecteur principal doivent fonctionner lorsque la pression est vérifiée.

- L'installation du conduit d'évacuation d'une sècheuse dans les endroits difficiles d'accès peut être réalisée à l'aide d'une trousse de ventilation en métal flexible 521P3 (offerte en option).
- Une quantité d'air d'appoint suffisante doit être fournie pour remplacer l'air d'échappement. La zone libre de tout orifice d'entrée de l'air d'appoint doit être d'au moins 25806 mm² [40 po²].
- Les bâtiments éco énergétiques où peu d'air s'infiltrer doivent être équipés d'un échangeur d'air pouvant prendre en charge les besoins en air d'appoint de la buanderie. De tels dispositifs peuvent être procurés auprès de votre entrepreneur ou d'un fournisseur de matériaux de construction.
- Ne pas tirer d'air d'appoint d'une pièce contenant un chauffe-eau à gaz, un nettoyeur à sec ou un salon de coiffure.
- Tout échappement incorrect de la sècheuse aura pour effet d'annuler la garantie.
- Une sècheuse dégagera 681 392 J/m² [60 Btu/pi²] d'aire de surface exposé à l'air expulsé.

REMARQUE : Le matériel d'échappement n'est pas fourni avec la sècheuse (obtenir sur place).

IMPORTANT : NE PAS bloquer le flux d'air situé en bas du panneau avant de la sècheuse avec du linge, des tapis, etc. Un tel blocage peut réduire le débit d'air et l'efficacité de la sècheuse.

Direction de l'échappement

L'échappement de la sècheuse vers l'extérieur peut se faire par l'arrière, la gauche, la droite ou le dessous de l'appareil. **EXCEPTION :** L'évacuation des sècheuses à gaz ne peut pas se faire par le côté gauche en raison du logement de brûleur.

La sècheuse est expédiée de l'usine avec un système d'évacuation arrière.

Si l'on souhaite que l'air s'évacue par les côtés ou le bas de la sècheuse, installer une trousse d'évacuation directionnelle 528P3 (offerte gratuitement en option).

Système d'échappement

Pour sécher le linge de manière optimale, la longueur maximale recommandée du système d'évacuation est illustrée au *Table 2*.

Pour empêcher tout reflux lorsque la sècheuse fonctionne, l'extrémité extérieure du tuyau d'échappement doit avoir un chapeau de protection avec des registres à charnières (obtenir sur place).

REMARQUE : Le chapeau de protection doit être sur-élevé de 305 mm [12 pouces] par rapport au sol. Dans les endroits où il neige beaucoup, les appareils auront éventuellement besoin de plus de dégagements.

Nombre de coudes de 90°	Type de chapeau anti-intempéries	
	Conseillé	Conduits d'échappement courts seulement
	<p>1. 102 mm [4 po]</p>	<p>1. 64 mm [2,5 po]</p>
Longueur maximale de conduit métallique rigide de diamètre 102 mm [4 po].		
0	19,8 m [65 pieds]	16,8 m [55 pieds]
1	16,8 m [55 pieds]	14,3 m [47 pieds]
2	14,3 m [47 pieds]	12,5 m [41 pieds]

Table 2 *continue...*


Nombre de coudes de 90°	Type de chapeau anti-intempéries	
	Conseillé	Conduits d'échappement courts seulement
3	11,0 m [36 pieds]	9,1 m [30 pieds]
4	8,5 m [28 pieds]	6,7 m [22 pieds]

Table 2

REMARQUE : Retrancher 1,8 m [6 pieds] par coude supplémentaire.

REMARQUE : La longueur maximale d'un conduit métallique flexible de diamètre de 102 mm [4 po] ne doit pas dépasser 2,4 m [7,87 pi], tel que requis pour se conformer à UL2158, clause 7.3.2A.

Sécheuses à gaz - Brancher la conduite d'arrivée de gaz

	MISE EN GARDE
<p>Pour réduire les risques de fuites de gaz, d'incendie et d'explosion :</p> <ul style="list-style-type: none"> • Le sèche-linge doit être branché sur le type de gaz indiqué par la plaque signalétique montée dans le logement de la porte. • Utiliser un flexible en acier inoxydable neuf. • Utiliser une pâte à joint insoluble au G.P.L. (gaz de pétrole liquéfié) ou du ruban Téflon sur tous les filetages de tuyaux. • Purger l'air et les dépôts de la conduite d'arrivée de gaz avant de la brancher sur le sèche-linge. Avant de serrer le raccord, purger le reste d'air de la conduite branchée sur le sèche-linge jusqu'à ce qu'une odeur de gaz soit détectable. Cette opération est nécessaire pour empêcher la contamination du robinet de gaz. • Ne pas se servir d'une flamme nue pour vérifier l'absence de fuite de gaz. Utiliser un liquide détecteur de fuite non corrosif. • Tout démontage nécessitant l'emploi d'outils doit être effectué par un réparateur qualifié. <p style="text-align: right;">W316</p>	

1. S'assurer que le modèle de sècheuse est compatible avec le type de gaz alimentant la lingerie. La sècheuse est équipée de série d'un raccord 3/8 po N.P.T. pour gaz naturel.

REMARQUE : L'alimentation en gaz à une sècheuse au gaz doit être conforme aux ordonnances et aux codes locaux ou, en l'absence d'ordonnances ou de codes locaux, aux normes énoncées dans la plus récente édition du National Fuel Gas Code ANSI Z223.1/NFPA 54 ou à la norme CAN/CSA-B149, Code d'installation du gaz naturel et du propane.

L'alimentation en gaz naturel 37,3 MJ/m³ [1000 BTU/pi³], doit être fournie à une pression de colonne d'eau comprise entre 127 et 267 mm (5,0 et 10,5 po.).

Aux altitudes supérieures à 915 m [3000 pieds] l'orifice de l'écrou-raccord du robinet de gaz doit être réduit afin d'assurer une combustion complète. Se reporter à la *Table 3*.

Ajustements pour le gaz naturel en fonction de l'altitude			
Altitude	Orifice		N° réf.
	m [pieds]	N°	
915 [3000]	43	2,26 [0,0890]	D503778
1830 [6000]	44	2,18 [0,0860]	58719
2440 [8000]	45	2,08 [0,0820]	D503779
2740 [9000]	46	2,06 [0,0810]	D503780
3050 [10 000]	47	1,99 [0,0785]	D503781

Table 3

2. Déposer le bouchon placé pour le transport sur le raccord de gaz à l'arrière de la sècheuse. S'assurer de ne pas endommager les filetages de tuyaux lors du retrait du capuchon.

REMARQUE : Si le filet du raccord de l'alimentation en gaz est British Standard Pipe Tapered (BSPT), commander l'adaptateur en laiton 44178804 femelle NPT (FPT) vers mâle BSPT, disponible moyennant supplément.

3. Raccorder au tuyau d'alimentation en gaz à l'aide de ruban Téflon ou de pâte à tuyau. Serrer à 10,2 – 19,7 Nm [90 – 175 po/livre].

REMARQUE : Le raccordement de l'alimentation en gaz de l'appareil doit être fait au moyen d'un flexible adapté à la catégorie de l'appareil conformément aux dispositions prévues aux codes d'installation nationaux du pays/de la province en question. En cas de doute, communiquer avec le distributeur ou le fabricant de la sécheuse.

REMARQUE : Lors du raccordement d'une sécheuse à la conduite d'alimentation en gaz, on doit munir la conduite d'un robinet d'arrêt de gaz à une distance de 1,8 m [6 pieds] ou moins de la sécheuse comme stipulés par les dispositions du code américain relatif au gaz combustible (National Fuel Gas Code), à la norme ANSI Z223.1/NFPA 54 ou au code d'installation de systèmes au gaz naturel ou au propane canadien CSA B149.1. Poser un bouchon fileté de 1/8 po N.P.T. comme indiqué sur l'illustration. Voir la Figure 5 .

REMARQUE : La sécheuse et son robinet de gaz principal doivent être débranchés du circuit d'arrivée de gaz lors de tout essai de pression du circuit à des pressions supérieures à 3,45 kPa [0,5 psi]. Se reporter à la *Contrôler la source de chaleur.*

REMARQUE : NE PAS brancher la sécheuse sur du GPL sans avoir modifié le robinet de gaz. Installer la trousse de conversion de gaz PL 649P3, offerte à un coût additionnel.

Le gaz naturel doit être fourni à une pression de 93,1 MJ/m³ [2500 Btu/pi³], pour une colonne d'eau de 10 ± 1.5 po.

Aux altitudes supérieures à 915 m [3000 pieds], l'orifice de l'écrou-raccord du robinet de gaz doit être réduit afin d'assurer une combustion complète. Se reporter à la *Table 4* .

Réglages de GPL en fonction de l'altitude			
Altitude	Orifice		N° réf.
	m [pieds]	N°	
915 [3000]	55	1,32 [0,0520]	58755
2440 [8000]	56	1,18 [0,0465]	D503786

Table 4

Inverser la porte, le cas échéant

REMARQUE : Les portes dotées de fenêtres ne peuvent pas être inversées.

La porte de cette sécheuse est complètement réversible. Pour inverser la porte, procéder comme suit :

1. Retirer quatre vis de fixation de charnière.

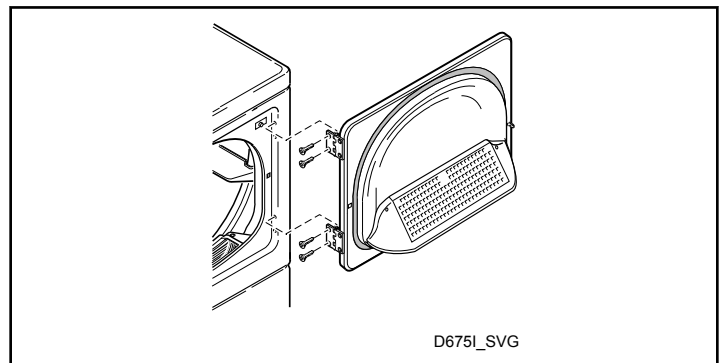


Figure 6

2. Retirer les neuf vis.

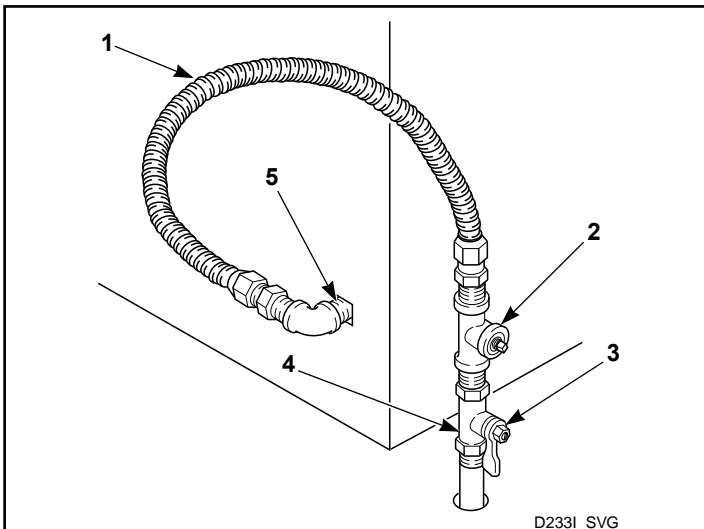


Figure 5

1. Utiliser un connecteur en acier inoxydable neuf – (Utiliser un connecteur certifié CSA) A utiliser uniquement si la réglementation en vigueur l'autorise
2. Bouchon fileté NPT de 1/8 po
3. Robinet d'alimentation de l'équipement
4. Tuyau en fer noir :
Moins de 6,1 m [20 pi] – utiliser un tuyau de 9,5 mm [3/8 po].
Plus de 6,1 m [20 pi] – utiliser un tuyau de 12,7 mm [1/2 po].
5. Raccord de gaz NPT de 3/8 po

4. Serrer fermement tous les raccords, mais pas trop afin d'éviter de casser ou de plier le support de robinet de gaz. Ouvrir l'arrivée de gaz et contrôler l'étanchéité de tous les raccords (internes et externes) à l'aide d'un liquide détecteur de fuite non corrosif.

Installation

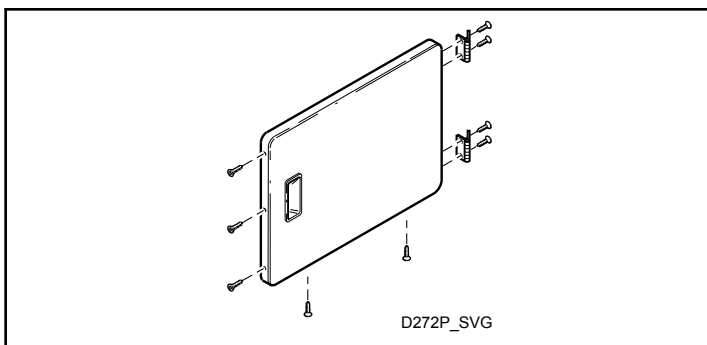


Figure 7

3. Retirer la partie inférieure de la doublure de porte, puis la tirer vers le bas afin de retirer la doublure de porte du panneau de porte.

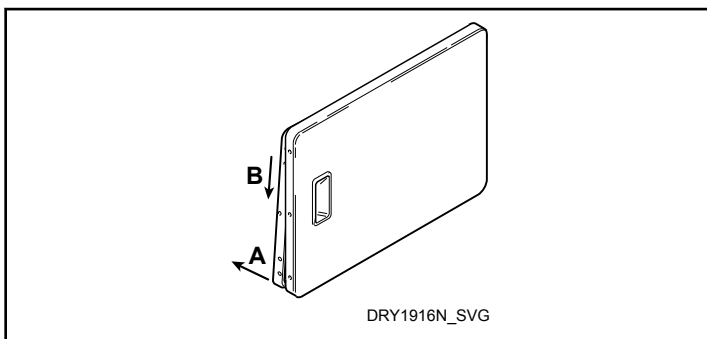


Figure 8

4. Faire pivoter le panneau de porte sur 180 degrés, de la façon illustrée.

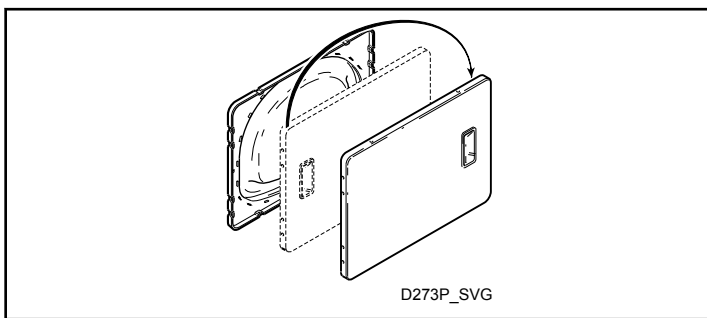


Figure 9

5. Retirer le verrou de porte de la doublure de porte et le réinstaller du côté opposé.

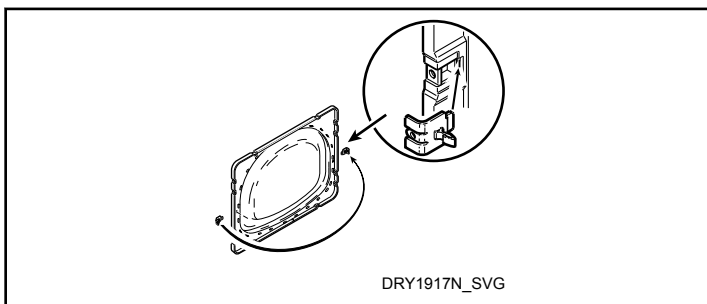


Figure 10

6. Insérer la doublure sous la collerette en bas de la porte, puis enfoncer la partie supérieure de la doublure de porte jusqu'à ce qu'elle s'enclenche.

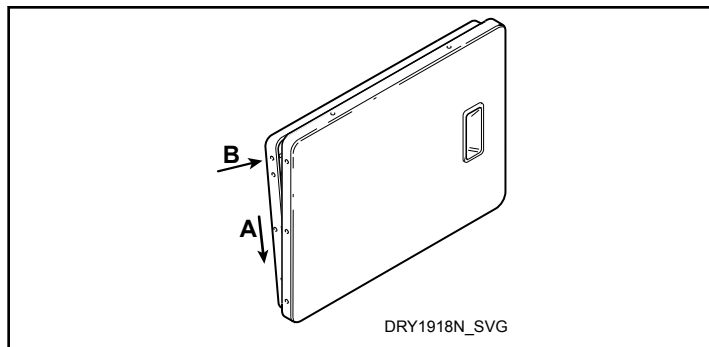


Figure 11

7. Réinstaller les neuf vis retirées à l'étape 2.

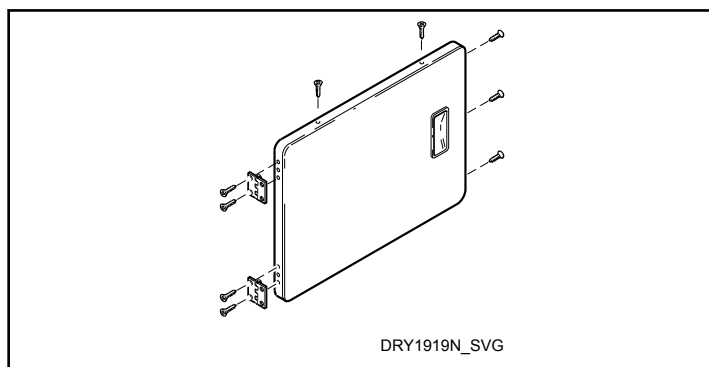


Figure 12

8. À l'aide du tournevis, retirer les deux bouchons de porte et les réinstaller du côté opposé.

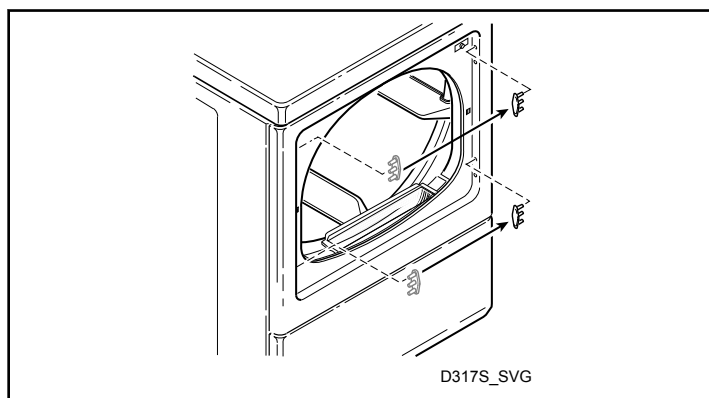


Figure 13

9. Réinstaller les quatre vis de fixation de charnière retirées à l'étape 1.

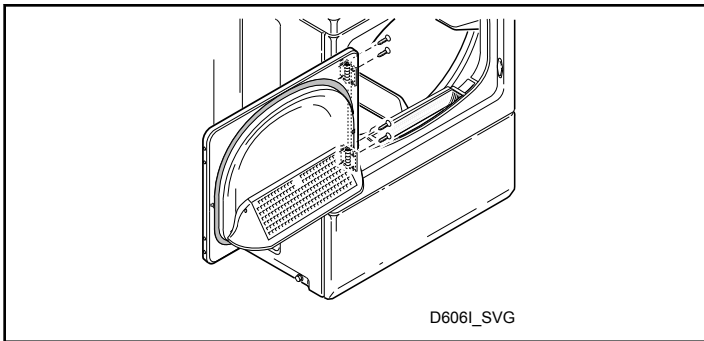


Figure 14

Essuyer l'intérieur de la sècheuse

Avant la première utilisation du séchoir, nettoyer l'intérieur du tambour à l'aide d'un chiffon humide et d'un produit nettoyant universel ou d'une solution d'eau et de détergent pour éliminer la poussière déposée durant l'expédition.

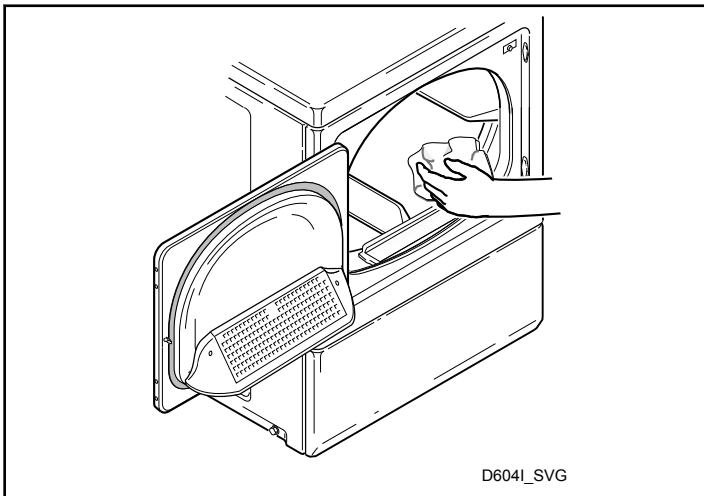


Figure 15

Brancher la sècheuse

Cet appareil doit être alimenté par un dispositif différentiel à courant résiduel (DDR) dont le courant de fonctionnement nominal ne dépasse pas 30 mA.

Sécheuses électriques avec fiche à 4 fils (fournie avec la sècheuse)

Installation à 3 fils, à la terre, 120/240 Volts, 60 hertz

Installation à 3 fils, à la terre, 120/208 Volts, 60 hertz

REMARQUE : Le schéma de câblage se trouve à l'intérieur de capot de commande.



MISE EN GARDE

Pour réduire les risques d'incendie, de choc électrique, de blessures graves, voire de mort, tout le câblage et toutes les connexions protectrices de mise à la terre DOIVENT être conformes à la plus récente version du code national de l'électricité, de la norme ANSI/NFPA 70 ou du Code canadien de l'électricité, de la norme CSA C22.1 et des règlements locaux applicables. Il incombe au client de faire installer le câblage et les fusibles par un électricien qualifié pour garantir que l'alimentation électrique de l'unité est adéquate.

W891

Instructions pour la mise à la terre et le câblage

Cet appareil doit être correctement connecté à une mise à la terre protectrice. En cas de panne ou de défaillance, la mise à la terre réduit les risques de choc électrique car elle offre un chemin de moindre résistance pour le courant électrique.

Cet appareil est muni d'un câble comportant un conducteur de mise à la terre et une fiche de mise à la terre. La fiche doit être branchée sur une prise adaptée correctement installée et raccordée à la terre en conformité avec la réglementation locale en vigueur.



MISE EN GARDE

Un branchement incorrect du conducteur de terre de l'appareil peut entraîner un risque d'électrisation. En cas de doute sur la mise à la terre du lave-linge, consulter un électricien ou réparateur qualifié.

W893

Ne pas modifier la fiche fournie avec la sècheuse – si elle ne s'emboîte pas dans la prise, faire installer une prise adaptée par un électricien qualifié.

Le courant secteur doit être un circuit distinct, polarisé, à trois fils avec mise à terre, 120-240 volts ou 12-208 volts (se reporter au voltage spécifique figurant sur la plaque signalétique) 60 hertz, de type AC monophasé, protégé par fusibles de 30 ampères.

L'ensemble câble électrique et prise (fourni avec la sècheuse) doit être inséré dans une prise électrique appropriée montée sur le mur adjacent à la sècheuse. Cette prise devrait être accessible à l'utilisateur ou au technicien lorsque la sècheuse est en position, pour permettre le débranchement lorsque nécessaire.

REMARQUE : Les exigences concernant le calibre de fil pour le câblage des prises de la salle de lavage sont précisées dans le tableau ci-dessous.

Longueur du câble	Câble
Moins de 4,5 m [15 pi]	Fil de cuivre de calibre AWG 10 uniquement
Plus de 4,5 m [15 pi]	Fil de cuivre de calibre AWG 8 uniquement

Table 5

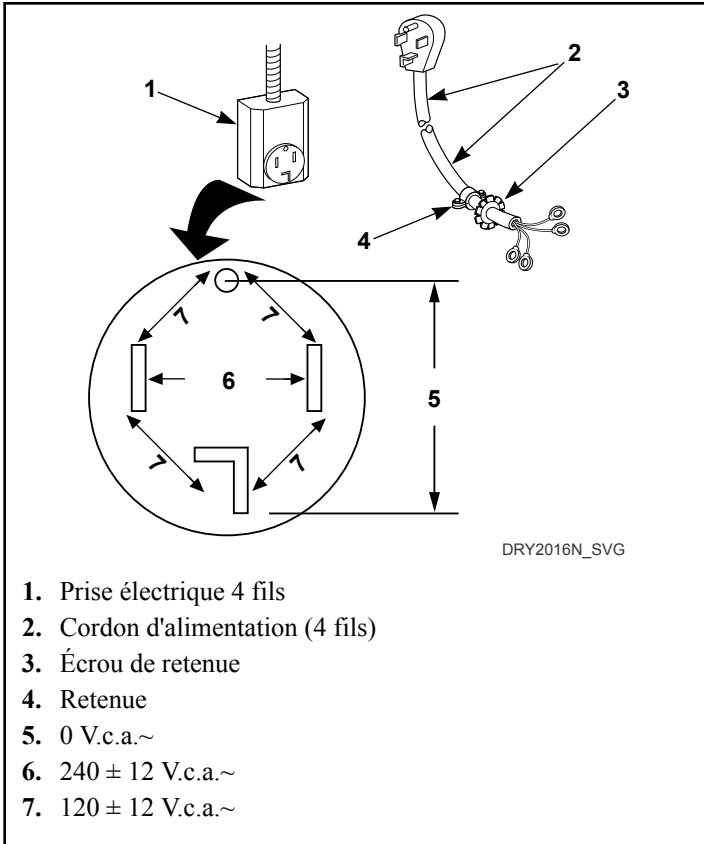


Figure 16

Sécheuses électriques avec fiche à 3 fils (nécessite une conversion)

120/240 Volts, 60 Hertz, installation 3 fils

120/208 Volts, 60 Hertz, installation 3 fils

REMARQUE : Le schéma de câblage se trouve à l'intérieur de capot de commande.

MISE EN GARDE

Pour réduire les risques d'incendie, de choc électrique, de blessures graves, voire de mort, tout le câblage et toutes les connexions protectrices de mise à la terre DOIVENT être conformes à la plus récente version du code national de l'électricité, de la norme ANSI/NFPA 70 ou du Code canadien de l'électricité, de la norme CSA C22.1 et des règlements locaux applicables. Il incombe au client de faire installer le câblage et les fusibles par un électricien qualifié pour garantir que l'alimentation électrique de l'unité est adéquate.

W891

REMARQUE : Utiliser seulement un cordon d'alimentation électrique neuf, listé UL no.10 (fil de cuivre seulement) de trois ou quatre conducteurs de 240 volts (minimum), 30 ampères, étiqueté comme adéquat pour utilisation avec une sécheuse.

Instructions de mise à la terre

Cet appareil doit être correctement connecté à une mise à la terre protectrice. En cas de panne ou de défaillance, la mise à la terre réduit les risques de choc électrique car elle offre un chemin de moindre résistance pour le courant électrique.

Cet appareil est muni d'un câble comportant un conducteur de mise à la terre et une fiche de mise à la terre. La fiche doit être branchée sur une prise adaptée correctement installée et raccordée à la terre en conformité avec la réglementation locale en vigueur.

MISE EN GARDE

Un branchement incorrect du conducteur de terre de l'appareil peut entraîner un risque d'électrification. En cas de doute sur la mise à la terre du lave-linge, consulter un électricien ou réparateur qualifié.

W893

Ne pas modifier la fiche fournie avec la sécheuse – si elle ne s'emboîte pas dans la prise, faire installer une prise adaptée par un électricien qualifié.

La sécheuse doit être correctement raccordée à un circuit électrique métallique fixe mis à la terre ou, le cas échéant, un conducteur de mise à la terre doit être tiré parallèlement aux câbles du circuit et raccordé à la borne ou au fil de mise à la terre de la sécheuse.

La sécheuse comporte son propre bornier qui doit être raccordé à un circuit de dérivation distinct C.a. (courant alternatif) monophasé 60 Hertz, avec fusible de 30 ampères (le circuit doit comporter un fusible des deux côtés de la ligne). L'installation électrique pour la sécheuse doit être de la tension maximale mentionnée

sur la plaque indicatrice (208 ou 240 volts, selon l'élément chauffant). Ne pas connecter la sècheuse à un circuit de 110, 115, ou 120 V.

Des éléments chauffants sont disponibles pour être installés dans des sècheuses qui sont branchés sur des alimentations électriques de tension différente que celle figurant sur la plaque signalétique, comme 208 Volts par exemple.

REMARQUE : Les exigences concernant le calibre de fil pour le câblage des prises de la salle de lavage sont précisées dans le tableau ci-dessous.

Longueur du câble	Câble
Moins de 4,5 m [15 pi]	Fil de cuivre de calibre AWG 10 uniquement
Plus de 4,5 m [15 pi]	Fil de cuivre de calibre AWG 8 uniquement

Table 6

Le cordon d'alimentation (spirale) de raccordement entre la prise murale et le bornier de la sècheuse N'EST PAS fourni avec la sé-

cheuse. Le type de spirale et le calibre du fil doivent être conformes aux codes locaux et aux instructions des pages suivantes.

La méthode de câblage de la sècheuse est facultative et dépend des exigences réglementaires locales. Vous reporter aux exemples suivants.

Prise à trois fils

REMARQUE : Le cordon d'alimentation 3 fils (en spirale) n'est PAS fourni avec la sècheuse électrique. Le type de spirale et le calibre du fil doivent être conformes aux codes locaux et aux instructions. La méthode de câblage de la sècheuse est facultative et dépend des exigences réglementaires locales.

REMARQUE : Raccorder la sècheuse à l'alimentation électrique présentant la TENSION NOMINALE MAXIMALE figurant sur la plaque signalétique.

REMARQUE : Utiliser exclusivement du FIL DE CUIVRE.

Moins de 15 pieds (4.5 m) – utiliser 10 AWG

Plus de 15 pieds (4.5 m) – utiliser 8 AWG

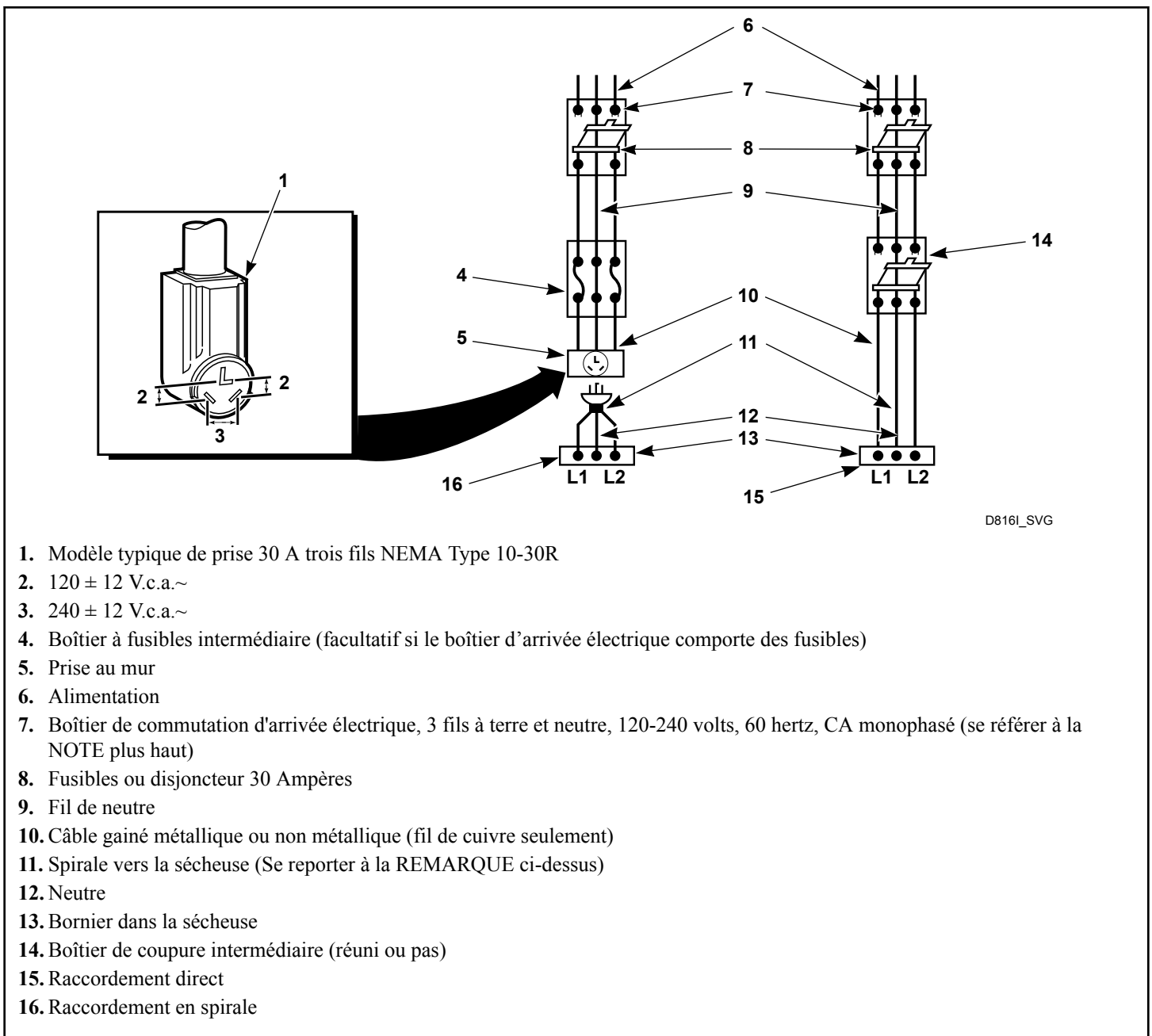


Figure 17

**Pour convertir un raccordement à 4 fils en
raccordement à 3 fils**

1. Débrancher l'alimentation électrique de la sècheuse.
2. Enlever le couvercle d'accès de l'arrière de la sècheuse.

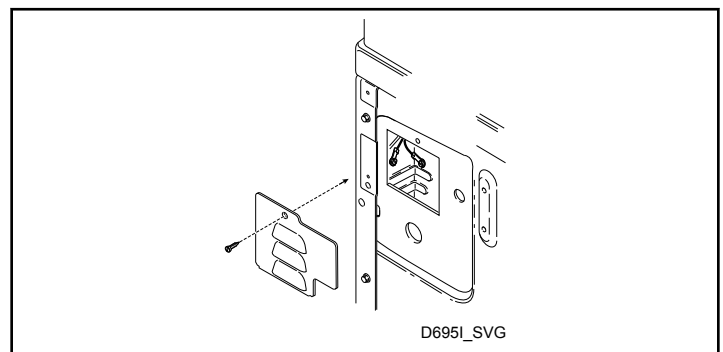


Figure 18

3. Enlever les trois vis argentées qui attachent les trois fils aux bornes du bornier. Enlever la vis de terre verte qui rattache le fil de terre du cordon d'alimentation à la paroi arrière. Conserver les quatre vis.
4. Desserrer la vis du collier de serrage et extraire le cordon ou les fils par l'arrière de la sècheuse.

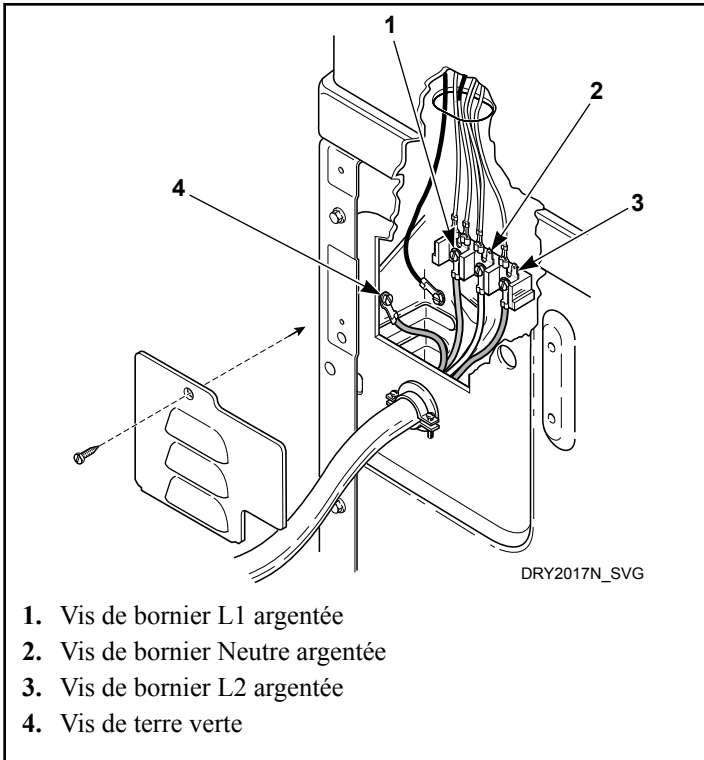


Figure 19

5. Attacher l'un des bouts du fil de terre vert (fourni dans le sac d'accessoires) sur la paroi arrière à l'aide de la vis de terre verte enlevée à l'étape 3.

REMARQUE : Ne pas utiliser de tournevis électrique pour serrer la vis de terre ou les vis du bornier.

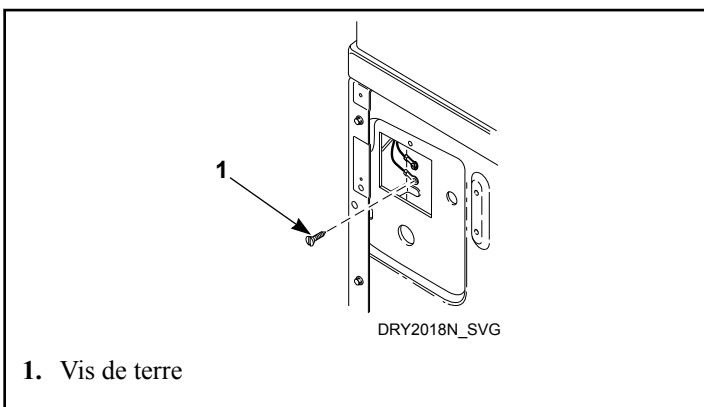


Figure 20

6. Utiliser les trois vis argentées enlevées à l'étape 3 pour attacher les fils du nouveau cordon d'alimentation et l'autre bout du fil de terre vert au bornier comme indiqué à la Figure 21 .

REMARQUE : Le fil de terre vert doit être raccordé à la borne (neutre) centrale du bornier.

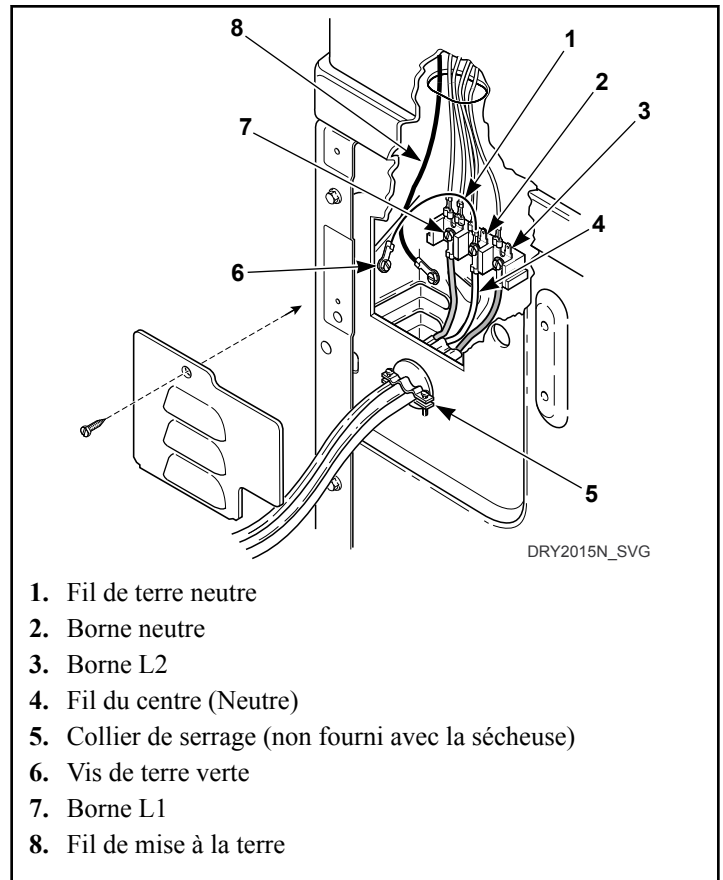


Figure 21

7. Serrer toutes les vis et remettre le couvercle d'accès démonté à l'étape 2.

REMARQUE : Un serrage insuffisant de ces vis peut entraîner une défaillance du câblage au niveau du bornier.

8. Fixer le collier de serrage au cordon d'alimentation, ou aux fils, au point où ils pénètrent dans l'enveloppe de la sècheuse.
9. Contrôler la continuité du raccordement à la terre avant de brancher le cordon dans une prise. Utiliser un dispositif indicateur acceptable raccordé à la broche de terre centrale de la fiche et la vis verte à l'arrière de la sècheuse.
10. Remettre le couvercle d'accès en place et visser.
11. Rétablir l'alimentation électrique de la sècheuse.

Sècheuse au gaz

La sècheuse doit être branchée à une alimentation électrique de 120 Volts, 60 Hz, et elle est munie d'une prise de mise à la terre à trois broches. Se reporter aux spécifications électriques figurant sur la plaque signalétique.

REMARQUE : Le schéma de câblage se trouve à l'intérieur de capot de commande.



MISE EN GARDE

Pour réduire tout risque d'incendie, de choc électrique, de blessures corporelles ou de mort, le câblage et la mise à la terre DOIVENT être conformes à la dernière édition du Code national de l'électricité, ANSI/NFPA 70, ou du Code canadien de l'électricité, CSA C22.1, ainsi qu'aux réglementations locales. Il incombe au client la responsabilité de faire installer le câblage et les fusibles par un électricien qualifié afin de garantir que la sècheuse dispose d'une alimentation suffisamment puissante.

W521

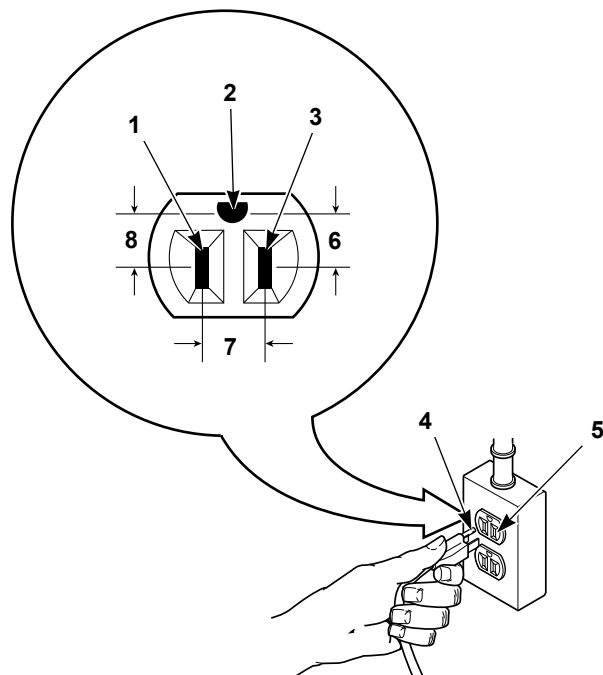
Lors du branchement de la sècheuse :

- NE PAS surcharger les circuits.
- NE PAS utiliser une rallonge.
- NE PAS utiliser un adaptateur
- NE PAS faire fonctionner d'autres appareils électroménagers sur le même circuit. Utiliser des circuits de 15 A à fusibles différents.

La sècheuse est conçue pour fonctionner sur un circuit distinct, polarisé, à trois broches avec mise à la terre, 120 Volts, 60 Hertz, CA (courant alternatif), protégé par un fusible de 15 ampères, un fusible temporisé ou un disjoncteur.

La fiche à trois broches avec mise de terre sur le cordon d'alimentation devrait être enfichée directement dans une prise électrique polarisée à trois fentes correspondante à 120 volts CA (courant alternatif) 15 ampères. Se référer à *Figure 22* pour déterminer la bonne polarité de la prise électrique murale.

Brancher le cordon sur un circuit à fusible de 15 A séparé



DRY2022N_SVG

1. L1
2. Mise à la terre
3. Neutre
4. Fiche ronde de la mise à la terre
5. Côté neutre
6. 0 V.c.a.~
7. 120 ± 12 V.c.a.~
8. 120 ± 12 V.c.a.~

Figure 22

Informations concernant la mise à la terre

Cet appareil doit être correctement connecté à une mise à la terre protectrice. En cas de panne ou de défaillance, la mise à la terre réduit les risques de choc électrique car elle offre un chemin de moindre résistance pour le courant électrique.

La sècheuse est munie d'un cordon ayant un conducteur de mise à la terre. La fiche doit être branchée sur une prise adaptée correctement installée et raccordée à la terre en conformité avec la réglementation locale en vigueur.

**MISE EN GARDE**

L'unité est munie d'une fiche à trois broches (mise à la terre) pour servir de protection contre les risques de décharges électriques; elle doit être branchée directement dans une prise protectrice à trois pointes (mise à la terre). Ne pas couper ni retirer la broche de mise à la terre de la fiche.

W823

**MISE EN GARDE**

La connexion incorrecte du conducteur de terre de l'appareil peut créer un risque de choc électrique. En cas de doute, vérifier auprès d'un électricien ou d'un réparateur qualifié pour savoir si la sècheuse est correctement branchée à un conducteur de terre.

W886

Ne pas modifier la fiche fournie avec la sècheuse – si elle ne s'emboîte pas dans la prise, faire installer une prise adaptée par un électricien qualifié.

REMARQUE : Faire vérifier la polarité des prises murales par un électricien qualifié. Si le relevé de tension diffère de celui illustré, le problème devrait être corrigé par un électricien qualifié.

Ne pas faire fonctionner d'autres appareils électroménagers sur le même circuit.

**MISE EN GARDE**

Pour réduire les risques de choc électrique ou d'incendie, NE PAS utiliser de rallonge ni d'adaptateur pour connecter la sècheuse à la source d'alimentation électrique.

W037

Vérifier les étapes

Consulter la section Vérification de l'installation sur la couverture arrière de ce manuel et vérifier que l'appareil est correctement installé.

Contrôler la source de chaleur.**Sécheuses électriques**

1. Fermer la porte de chargement et démarrer la sècheuse dans un mode de chauffage (se reporter aux instructions de fonctionnement).

2. Au bout de trois minutes de marche, l'air rejeté ou la conduite d'échappement devraient être chauds.

Sécheuses à gaz

IMPORTANT : Cette opération doit exclusivement être confiée à du personnel qualifié.

1. Pour voir la flamme du brûleur, retirer le panneau avant inférieur de la sècheuse.
2. Fermer la porte de chargement et démarrer la sècheuse dans un mode de chauffage (se reporter aux instructions de fonctionnement). L'appareil démarre, l'allumeur passe au rouge et le brûleur principal s'allume.

IMPORTANT : Si tout l'air n'est pas purgé de la conduite de gaz, l'allumeur de gaz peut se mettre en marche avant que le gaz ne s'allume. Dans ce cas, après environ deux minutes, l'allumeur essaie à nouveau d'allumer le gaz.

IMPORTANT : Si l'allumeur ne s'allume pas, vérifier que l'alimentation en gaz est bien ouverte.

3. Une fois que la sècheuse fonctionne pendant environ cinq minutes, observer la flamme du brûleur par la partie inférieure du panneau avant.
4. Ajuster l'obturateur d'air pour obtenir une flamme bleue douce et uniforme. (Si la flamme est faible et que son bout est jaune, cela indique un manque d'air. Si la flamme brûle fortement et qu'elle est très bleue, cela veut dire qu'il y a trop d'air.) Ajuster l'obturateur d'air de la façon suivante :
 - a. Desserrer la vis de verrouillage de l'obturateur d'air.
 - b. Faire pivoter l'obturateur d'air vers la gauche afin d'obtenir une flamme lumineuse, dont le bout est jaune, puis le faire pivoter de nouveau lentement vers la droite pour obtenir une flamme bleue et uniforme.
 - c. Une fois que l'obturateur d'air est réglé pour la flamme adéquate, resserrer fermement la vis de verrouillage.
5. Réinstaller le panneau d'accès avant.

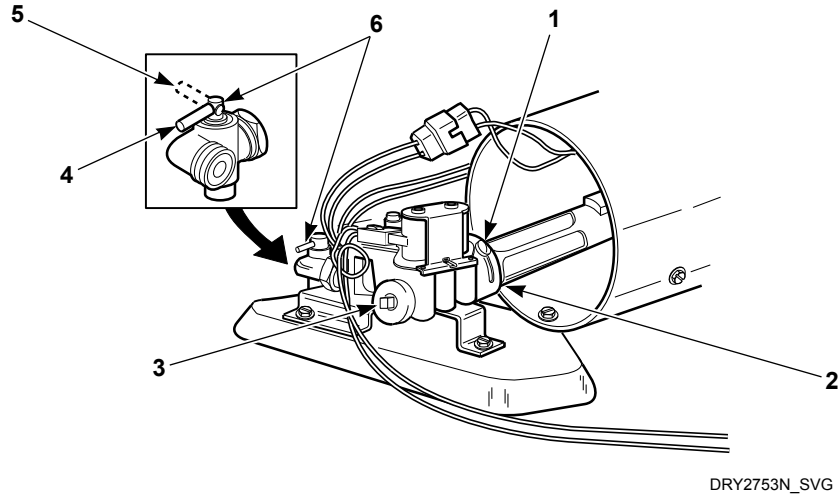
**MISE EN GARDE**

Pour réduire les risques de dommages corporels graves ou de mort, le panneau frontal inférieur doit être en place durant la marche normale.

W158

6. Au bout de trois minutes de fonctionnement, l'air rejeté ou le conduit d'échappement doivent être chauds.

Robinet d'arrêt de gaz, ne s'applique qu'à certains modèles

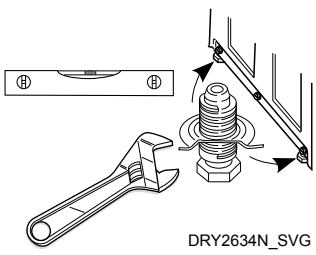
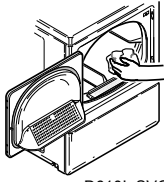
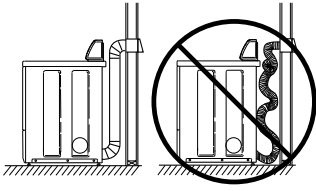
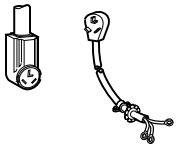
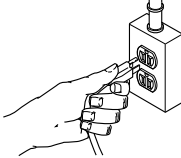
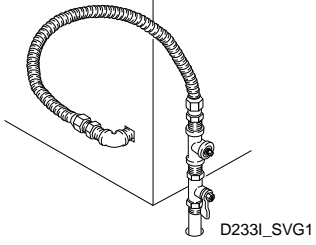
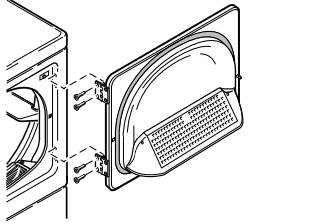


1. Vis de verrouillage de l'obturateur d'air
2. Obturateur d'air
3. 3,1 mm [1/8 po] Bouchon fileté (pour contrôler la pression d'admission)
4. Robinet d'arrêt, position ouverte
5. Robinet d'arrêt, position fermée
6. Poignée du robinet d'arrêt

Figure 23

Liste de vérification destinée à l'installateur

Installation rapide de votre séchoir

1	Mettre le sèche-linge en place et de niveau.	 DRY2634N_SVG	5	Essuyer l'intérieur du sèche-linge.	 D610I_SVG
	VÉRIFIER			VÉRIFIER	
2	Raccorder le système d'évacuation de la sècheuse.	 DRY1915N_SVG1	6	Brancher la sècheuse.	Électrique  D275I_SVG1 Gaz  D254I_SVG
	VÉRIFIER			VÉRIFIER	
3	GAZ UNIQUEMENT <ul style="list-style-type: none"> • Connecter tuyau d'alimentation en gaz. • Vérifier l'absence de fuites de gaz. 	 D233I_SVG1	7	Vérifier les étapes.	
	VÉRIFIER			VÉRIFIER	
4	Inverser la porte, le cas échéant.	 D675I_SVG1	8	Démarrer et faire fonctionner la sècheuse dans un mode de chauffage afin de s'assurer que la sècheuse chauffe.	
	VÉRIFIER			VÉRIFIER	

Consulter le manuel pour des informations plus détaillées